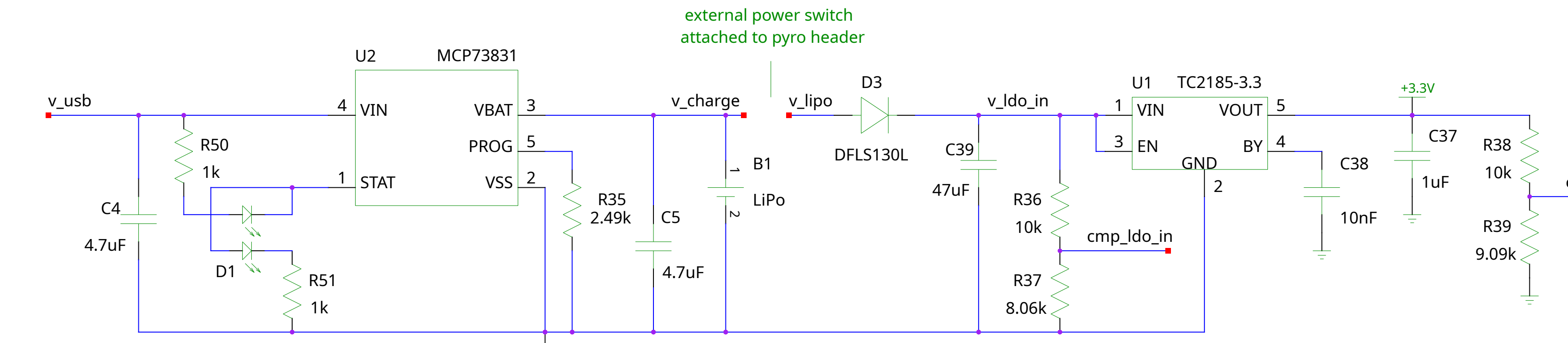
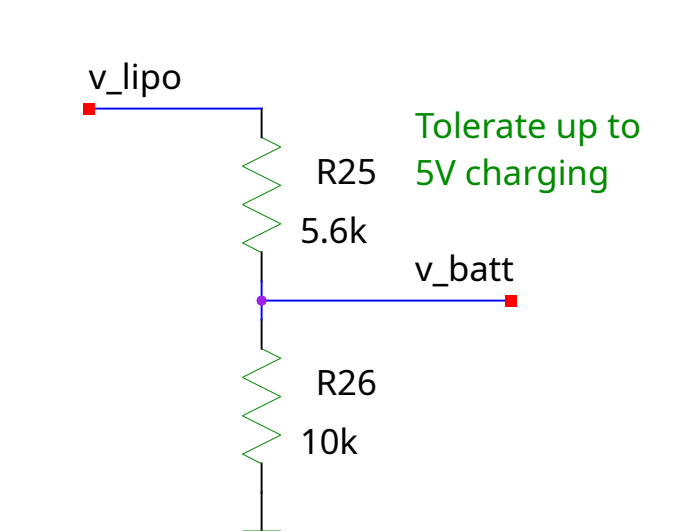
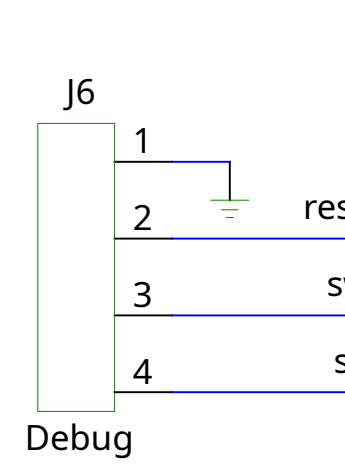
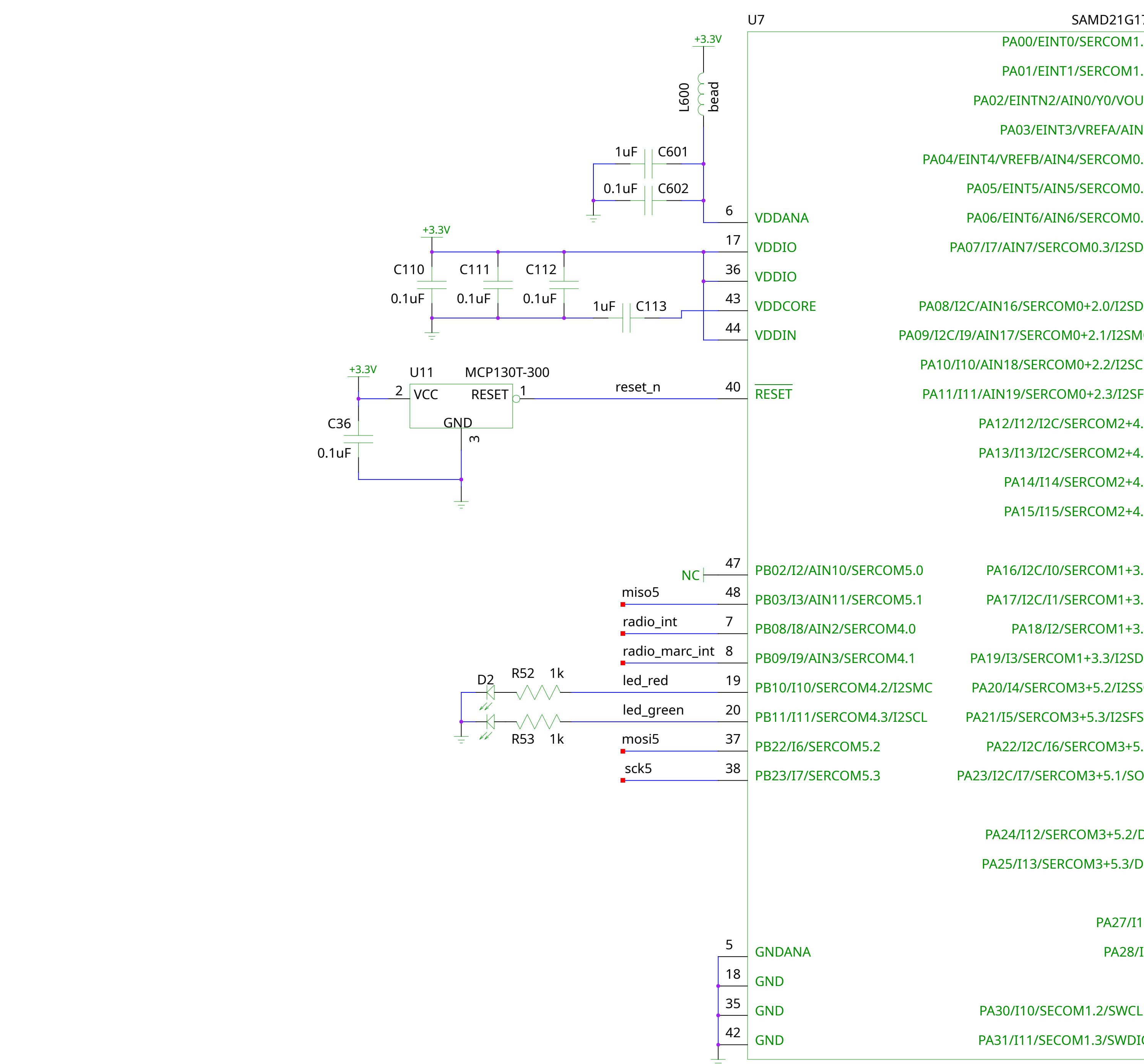
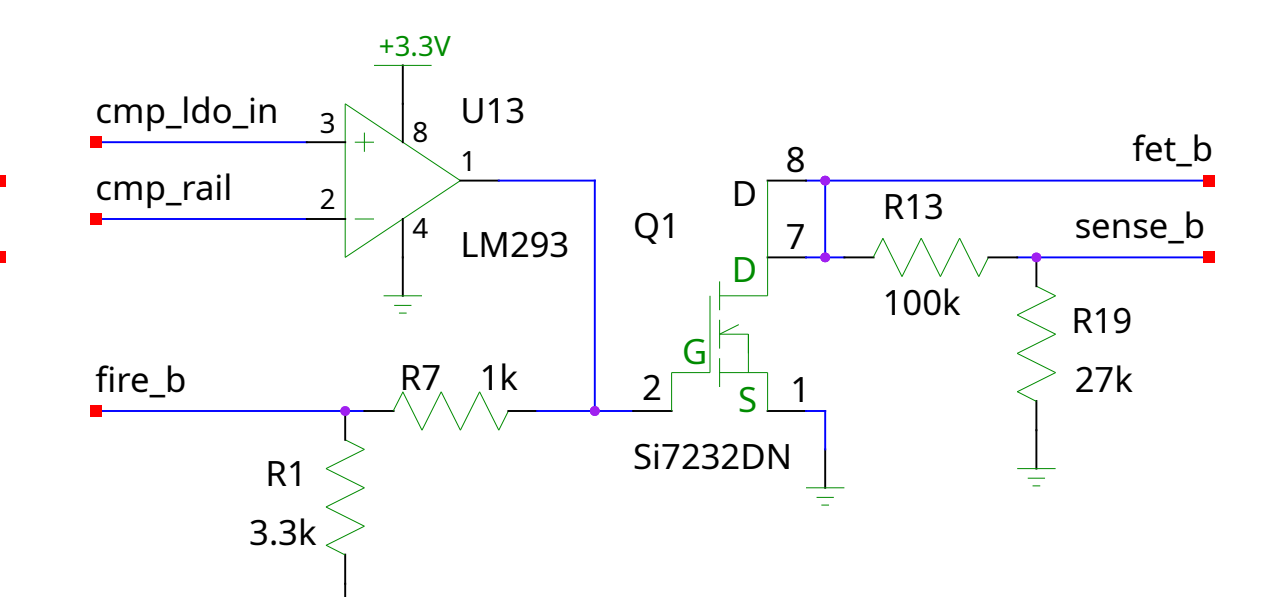
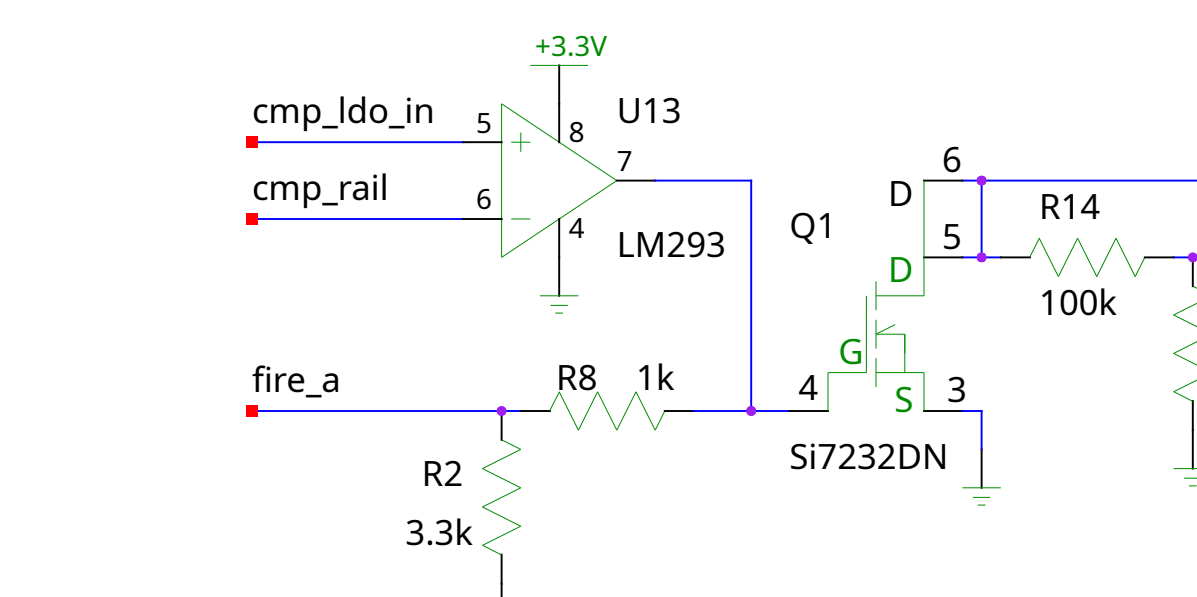
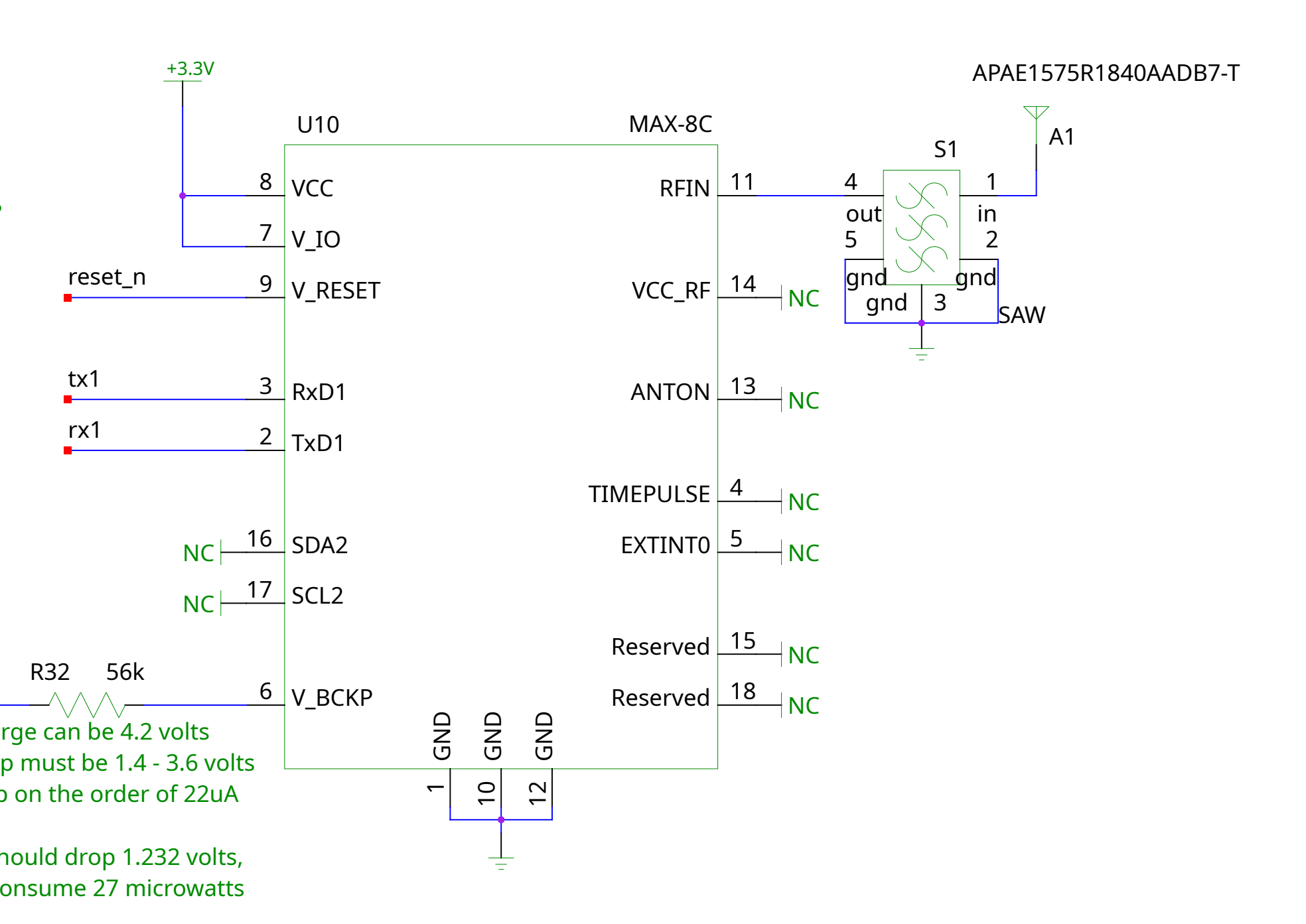


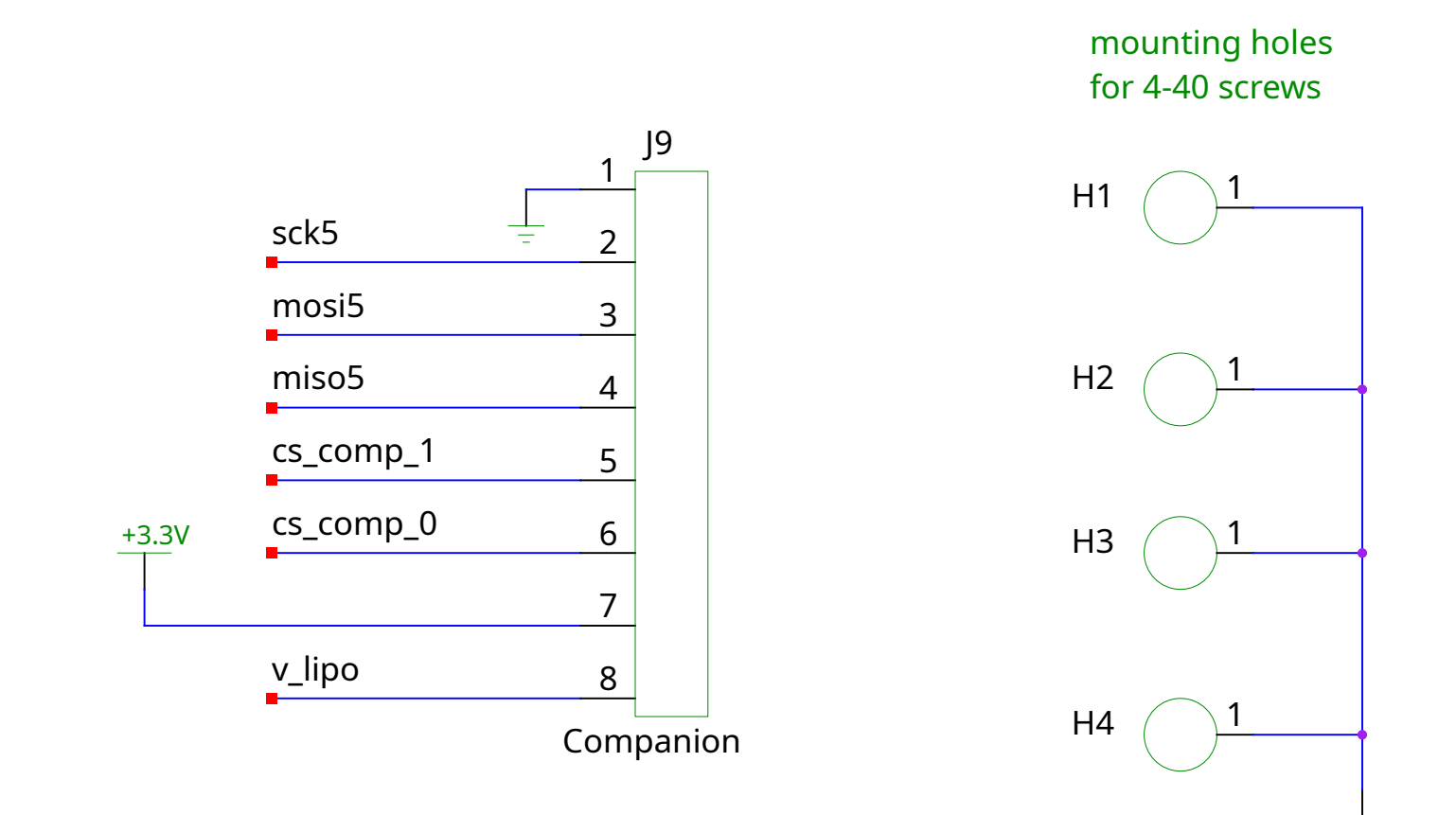
GND hole for use with things like magnetic power switch.



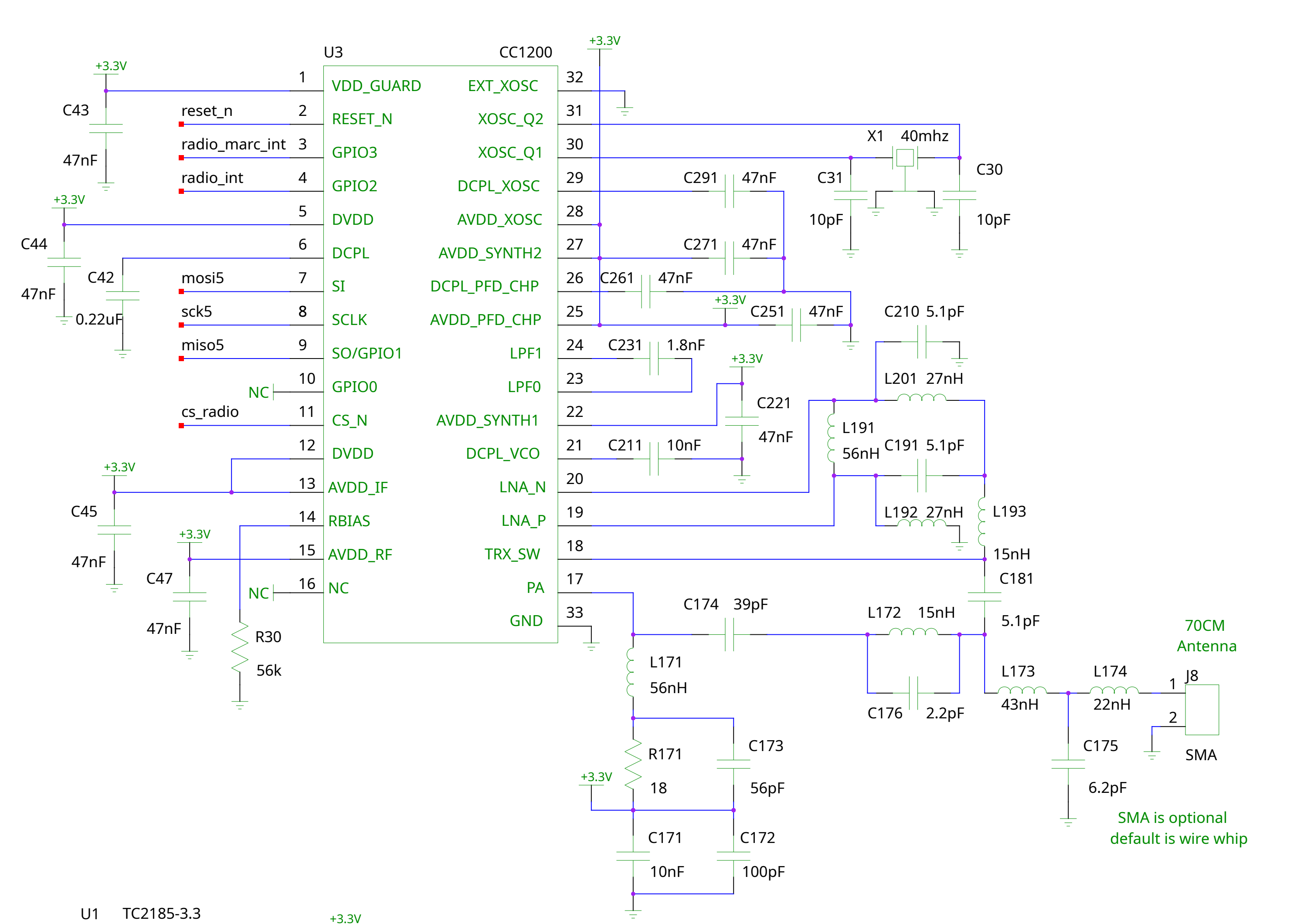
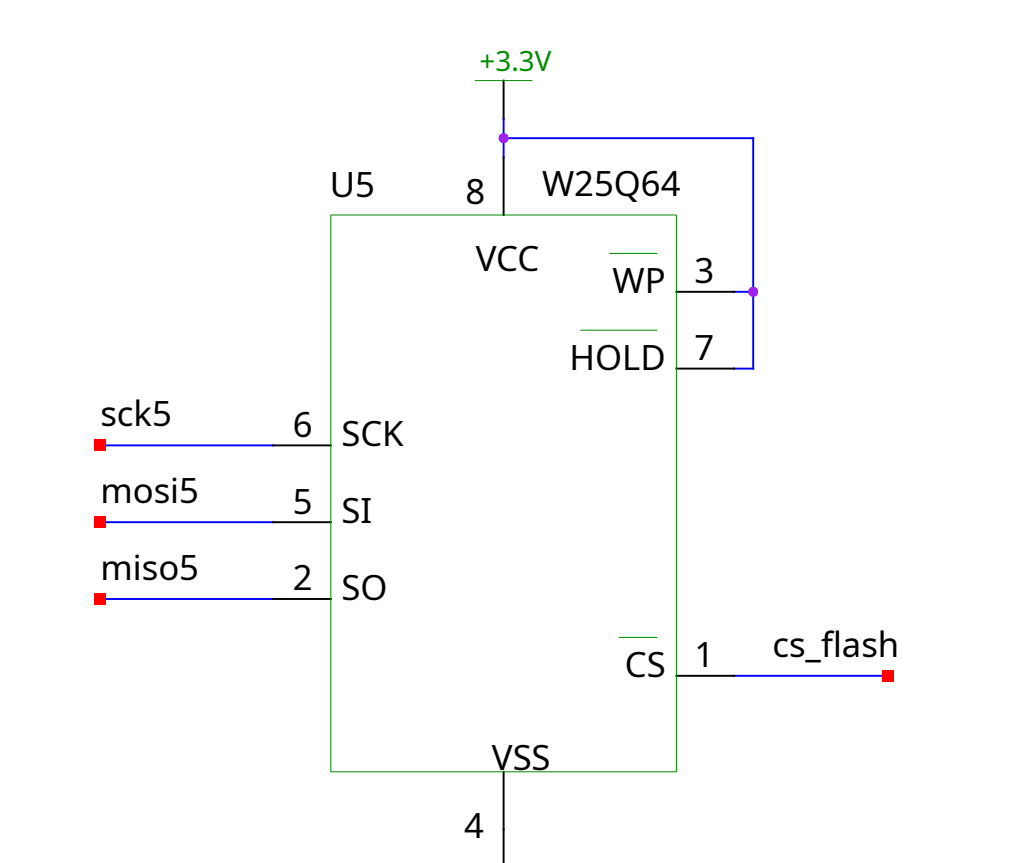
don't drive reset\_gps high  
mcp130t is open drain with 5k internal pull-up  
do we really want 3.3k pull-up here? unclear!  
don't use reset\_n at all?



v\_charge can be 4.2 volts  
v\_bckp must be 1.4 - 3.6 volts  
i\_bckp on the order of 22uA  
56k should drop 1.232 volts, and consume 27 microwatts



mounting holes for 4-40 screws



70CM Antenna  
SMA is optional default is wire whip

# TeleMetrum