



Specification

SPECIFICATION

Part No. : **GP.1575.18.4.A.02**

Specification No : DA1574P

Product Name : **Miniature GPS Patch Antenna**

Features : 18mm*18mm*4mm
ROHS Compliant

:



REVISION STATUS

Version	Date	Page	Revision Description	Prepared	Approved
01	Jan 03 rd 2007	All	New format	TW Product Centre	Ronan Quinlan



Specification

1.0 Introduction

This ceramic GPS patch antenna is based on smart **XtremeGain™** technology. It is mounted via pin and double-sided adhesive and has been selected as optimal solution for the 50x50mm ground plane.

2.0 Key Antenna Performance Indicators

Original Patch Specification tested on 50mm² ground plane

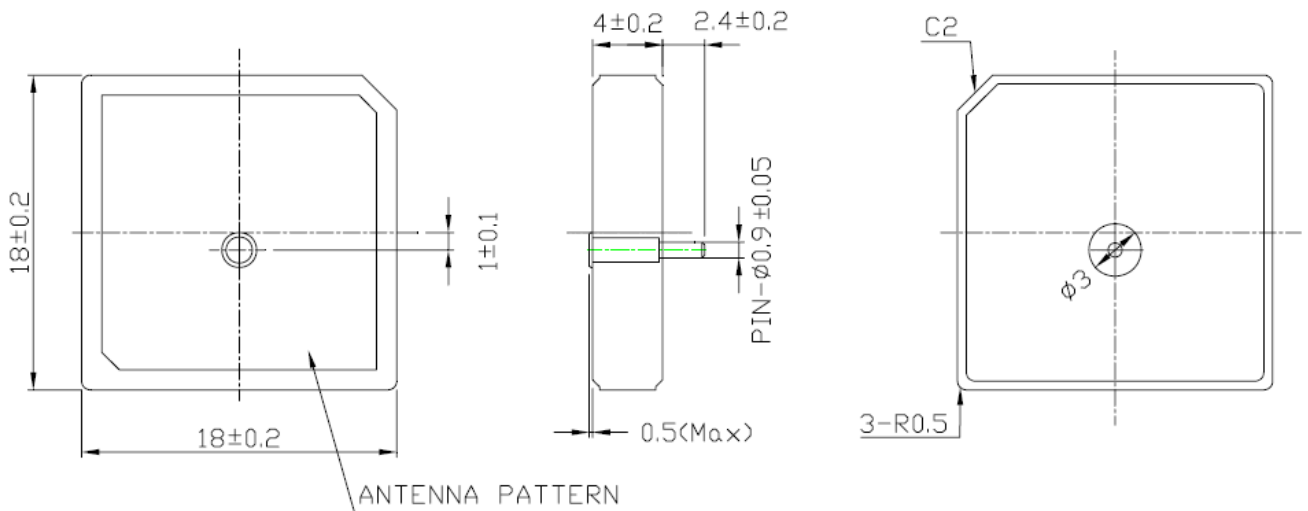
No	Parameter	Specification
1	Center Frequency	1575MHz +/- 3MHz**
2	Impedance	50Ω
3	Bandwidth	8MHz min Return Loss <-10dB
4	VSWR	1.5 max
5	Gain toward Zenith	+2.5 dBic typ.
6	Gain at 10°Elevation	-4.5 dBic typ.
7	Axial Ratio	3dB Max. Center Frequency
8	Polarization	Right Hand Circular Polarization
9	Frequency Temperature Coefficient (Tf)	0 ± 20ppm/°C
10	Operating Temperature	-40°C to +85°C

****Changes in user groundplane and environment will offset centre frequency**

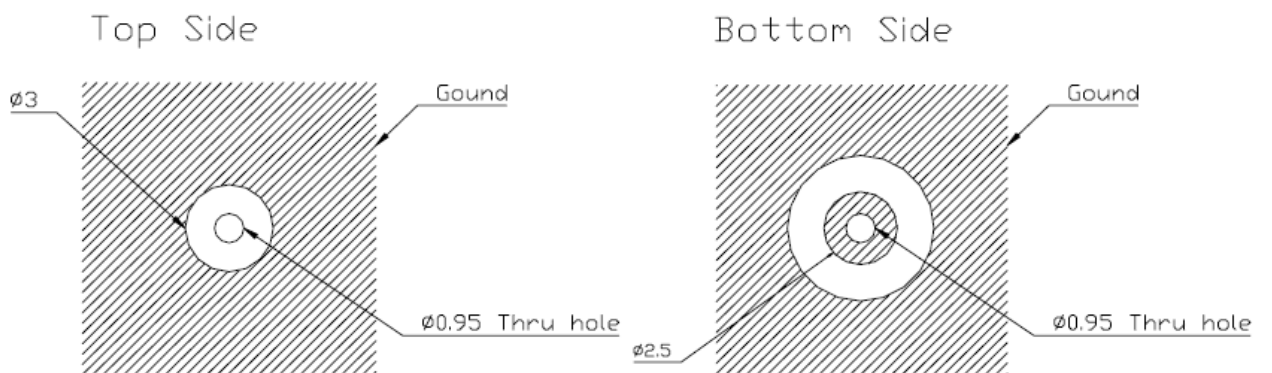


3.0 Mechanical Specifications

3.1 Dimensions and Drawing



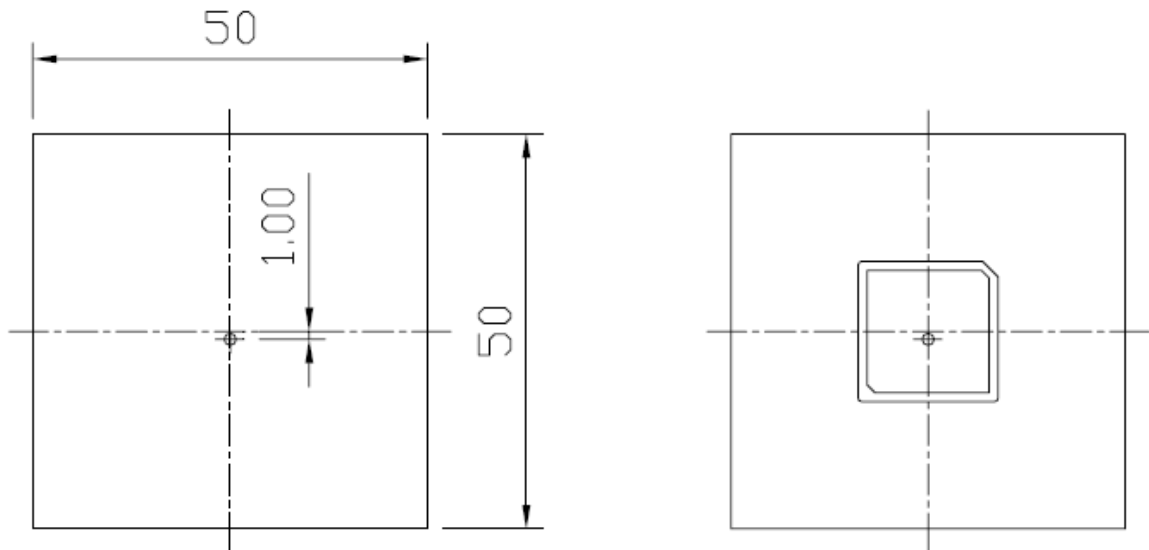
3.2 Layout Dimensions



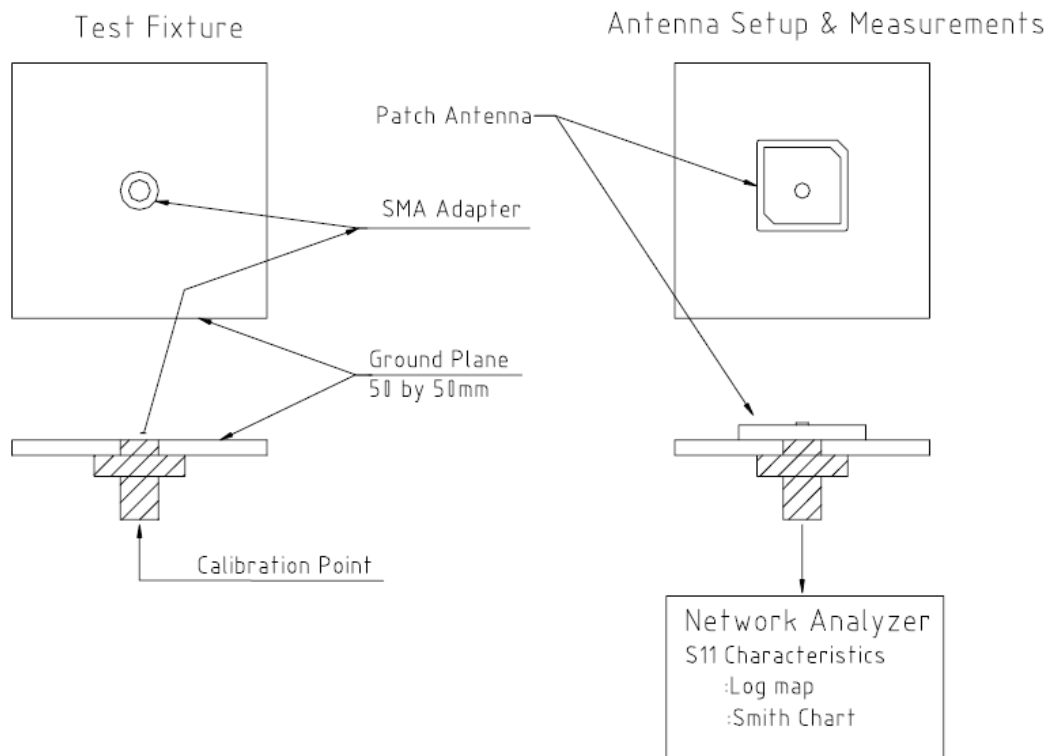
TOL: ± 0.20
UNIT: mm



3.3 Test Jig and Dimensions



3.4 Test Fixture Antenna Setup & Measurements

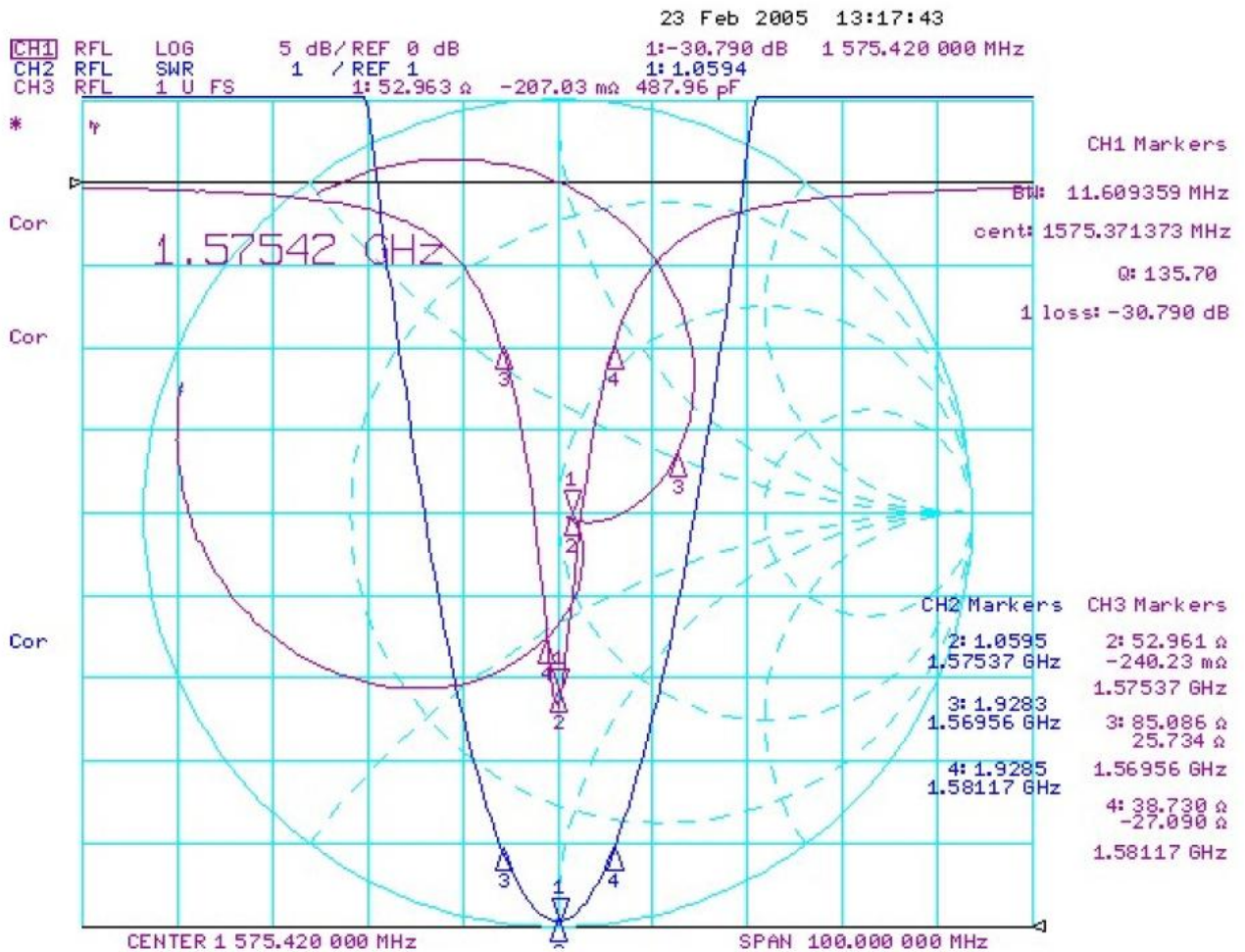




Specification

4.0 Electrical characteristics on 50 x 50 mm GP

Return Loss

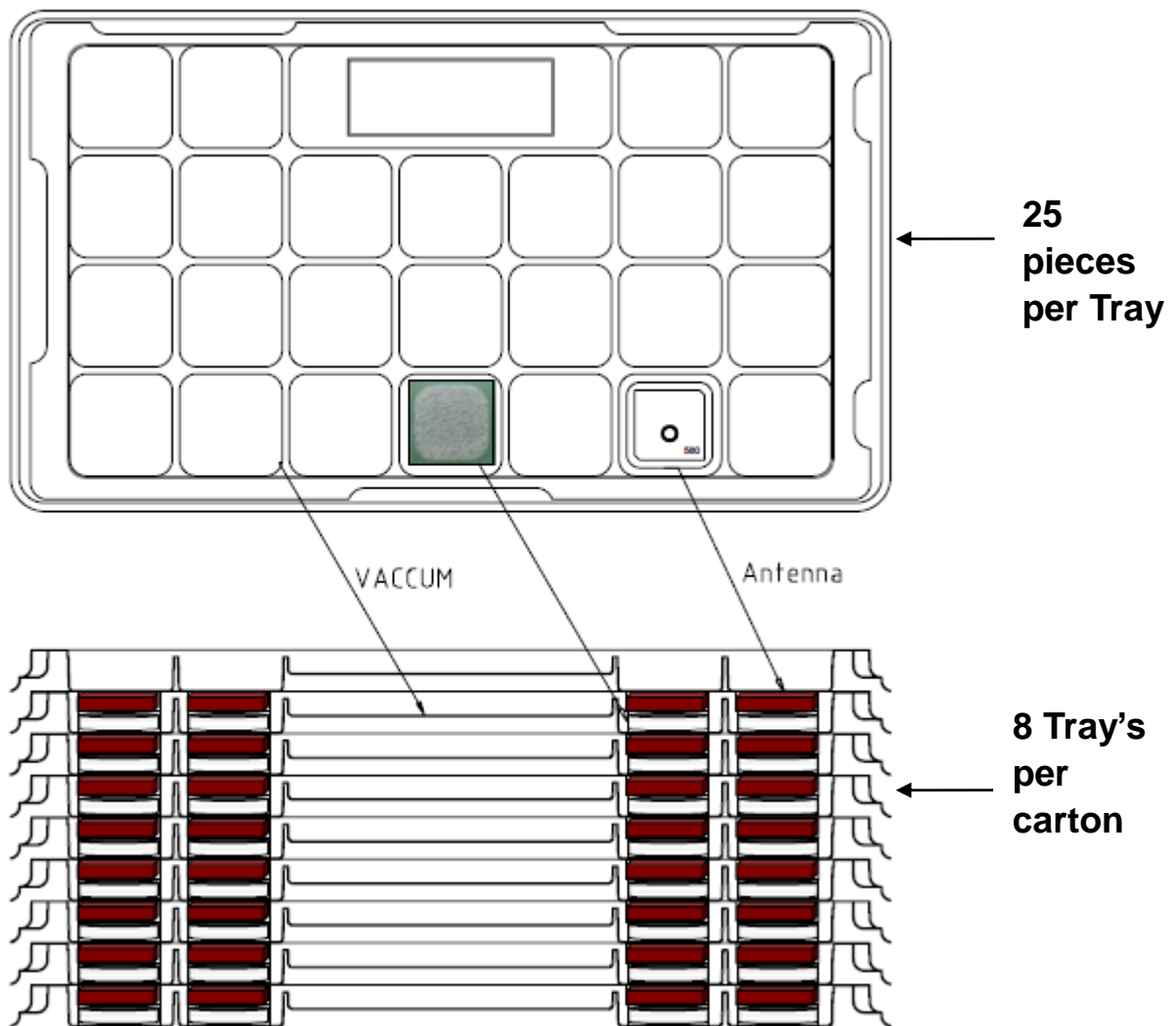




Specification

5.0 Packaging

- Per Tray: 25 pieces
- Per Carton(Inside Box) – 8 Trays = 200 pieces
- Outer Carton (Outside Box)– 4 Cartons = 800 pieces





Specification

Packing

