

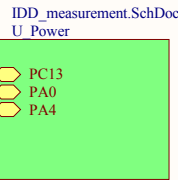
1

2

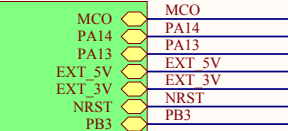
3

4

IDD_CNT_EN
IDD_WAKEUP
IDD_Measurement

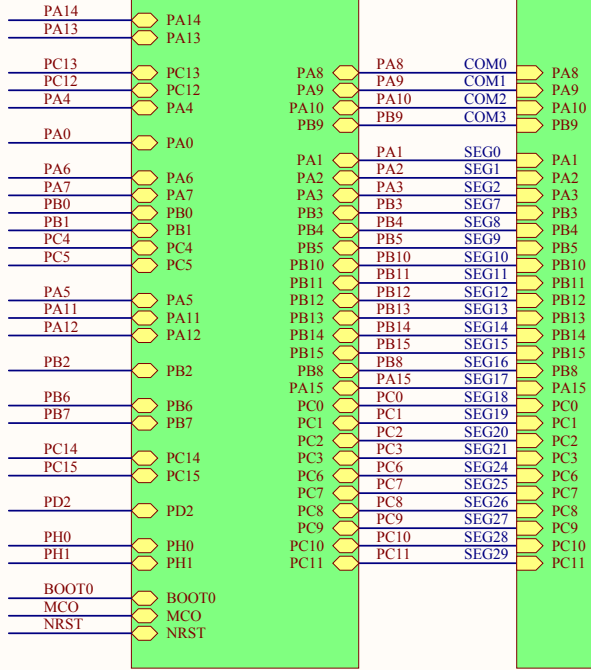


ST_LINK.SCHDOC
U_ST_LINK

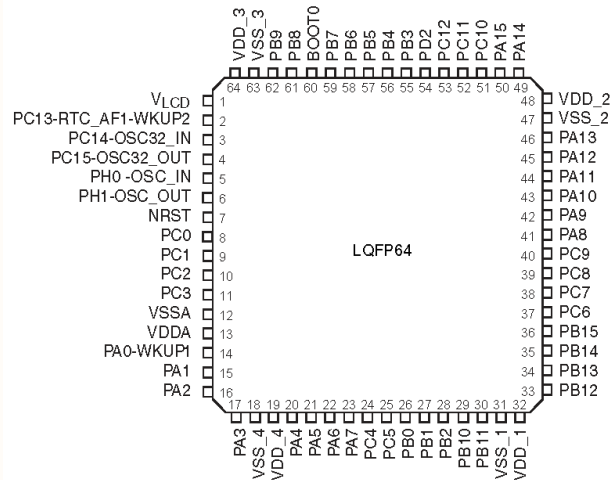


TCK/SWCLK
TMS/SWDIO
T_NRST
T_SWO

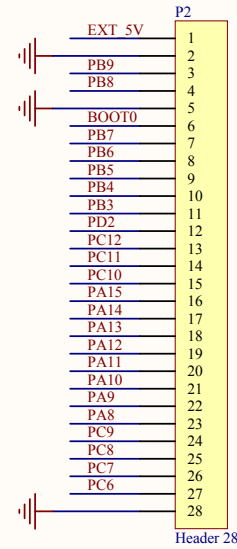
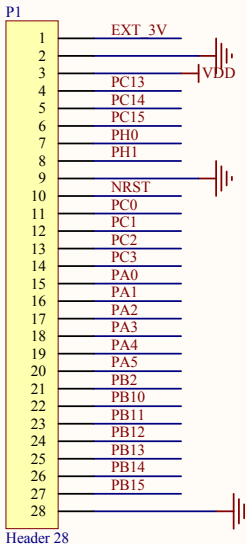
U_STM32L
STM32L.SchDoc



U_LCD_GH08172
LCD_GH08172.SchDoc



LQFP64



STMicroelectronics

Title: **STM32L-DISCOVERY**

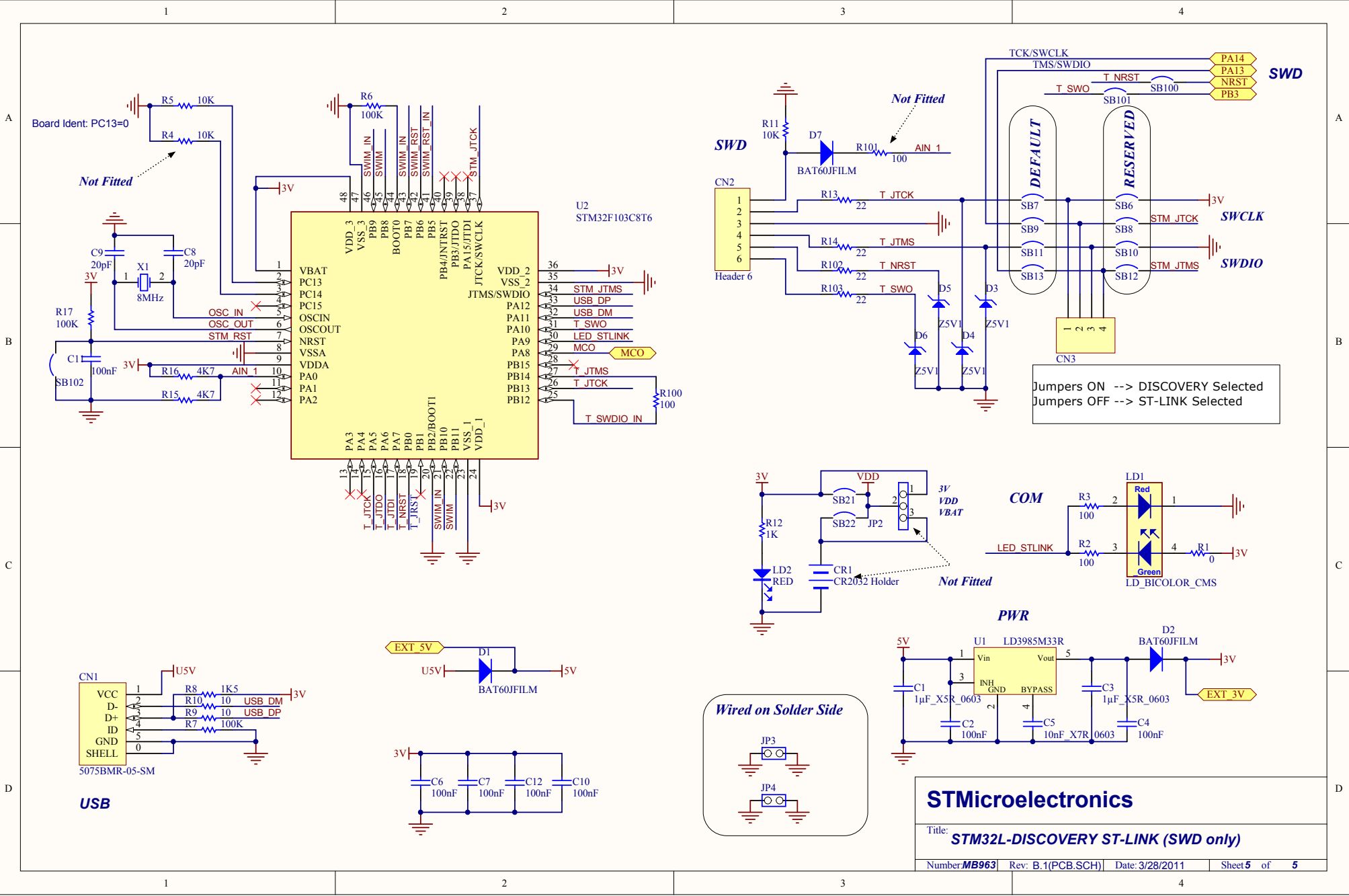
Number: **MB963** | Rev: B.1(PCB.SCH) | Date: 3/14/2011 | Sheet 1 of 5

1

2

3

4

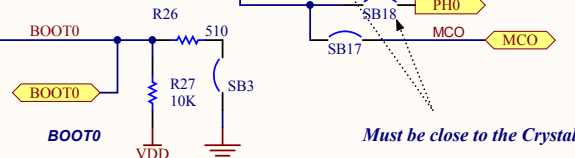
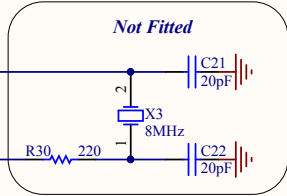
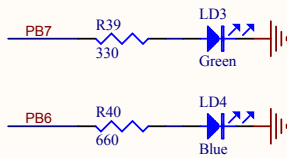
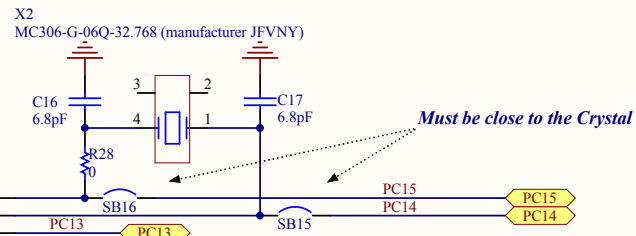


USA

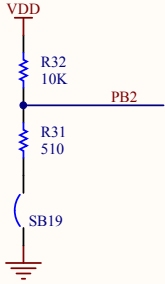
PA0	PA0	14	PA0/WKUPI/USART2_CTS/ADC_IN0/TIM2_CH1_ETR/COMP1_INP	PC15-OSC32_OUT
PA1	PA1	15	PA1/USART2_RTS/ADC_IN1/TIM2_CH2/LCD_SEG0/COMP1_INP	PC14-OSC32_IN
PA2	PA2	16	PA2/USART2_TX/ADC_IN2/TIM2_CH3/TIM9_CH1/LCD_SEG1/COMP1_INP	PC13
PA3	PA3	17	PA3/USART2_RX/ADC_IN3/TIM2_CH4/TIM9_CH2/LCD_SEG2/COMP1_INP	53 PC12
PA4	PA4	20	PA4/SPI1_NSS/USART2_CK/ADC_IN4/DAC_OUT1/COMP1_INP	52 PC11
PA5	PA5	21	PA5/SPI1_SCK/ADC_IN5/DAC_OUT2/TIM2_CH1_ETR/COMP1_INP	51 PC10
PA6	PA6	22	PA6/SPI1_MISO/ADC_IN6/TIM3_CH1/TIM1_BKIN/LCD_SEG3/TIM10_CH1/COMP1_INP	40 PC9
PA7	PA7	23	PA7/SPI1_MOSI/ADC_IN7/TIM3_CH2/TIM1_CH1N/LCD_SEG4/TIM11_CH1/COMP1_INP	39 PC8
PA8	PA8	41	PA8/USART1_CK/MCO/LCD_COM0	38 PC7
PA9	PA9	42	PA9/USART1_TX/LCD_COM1	37 PC6
PA10	PA10	43	PA10/USART1_RX/LCD_COM2	25 PC5
PA11	PA11	44	PA11/USART1_CTS/USBDM/SPI1_MISO	24 PC4
PA12	PA12	45	PA12/USART1_RTS/USBDM/SPI1_MOSI	11 PC3
PA13	PA13	46	PA13/SWDIO	10 PC2
PA14	PA14	49	PA14/SWCLK	9 PC1
PA15	PA15	50	PA15/TIM2_CH1_ETR/PA15/SPI1_NSS/LCD_SEG17	8 PC0

PB0	PB0	26	PB0/ADC_IN8/TIM3_CH3/LCD_SEG5/COMP1_INP/VREF_OUT	54 PD2
PB1	PB1	27	PB1/ADC_IN9/TIM3_CH4/LCD_SEG6/COMP1_INP/VREF_OUT	PH0-OSC_IN
PB2	PB2	28	PB2/BOOT1	6 PH1-OSC_OUT
PB3	PB3	55	PB3/TIM2_CH2/PB3/TRACESW/SPI1_SCK/COMP2_INM/LCD_SEG7	7 NRST
PB4	PB4	56	PB4/TIM3_CH1/PB4/SPI1_MISO/COMP2_INP/LCD_SEG8	60 BOOT0
PB5	PB5	57	PB5/I2C1_SMBAL/TIM3_CH2/SPI1_MOSI/COMP2_INP/LCD_SEG9	
PB6	PB6	58	PB6/I2C1_SCL/TIM4_CH1/USART1_TX	
PB7	PB7	59	PB7/I2C1_SDA/TIM4_CH2/USART1_RX/PVD_IN	
PB8	PB8	61	PB8/TIM4_CH3/I2C1_SCL/LCD_SEG16/TIM10_CH1	
PB9	PB9	62	PB9/TIM4_CH4/I2C1_SDA/LCD_COM3/TIM11_CH1	
PB10	PB10	29	PB10/I2C2_SCL/USART3_TX/TIM2_CH3/LCD_SEG10	
PB11	PB11	30	PB11/I2C2_SDA/USART3_RX/TIM2_CH4/LCD_SEG11	
PB12	PB12	33	PB12/SPI2_NSS/I2C2_SMBAL/USART3_CK/LCD_SEG12/ADC_IN18/COMP1_INP/TIM10_CH1	
PB13	PB13	34	PB13/SPI2_SCK/USART3_CTS/LCD_SEG13/ADC_IN19/COMP1_INP/TIM9_CH1	
PB14	PB14	35	PB14/SPI2_MISO/USART3_RTS/LCD_SEG14/ADC_IN20/COMP1_INP/TIM9_CH2	
PB15	PB15	36	PB15/SPI2_MOSI/TIM1_CH3N/LCD_SEG15/ADC_IN21/COMP1_INP/TIM11_CH1/RTC_50_60Hz	

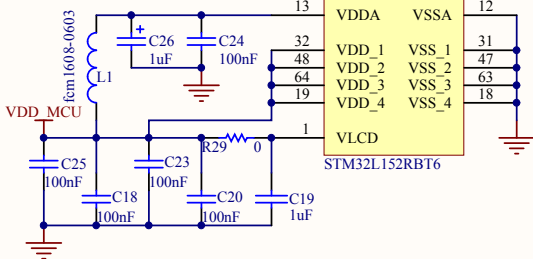
STM32L152RBT6



BOOT1



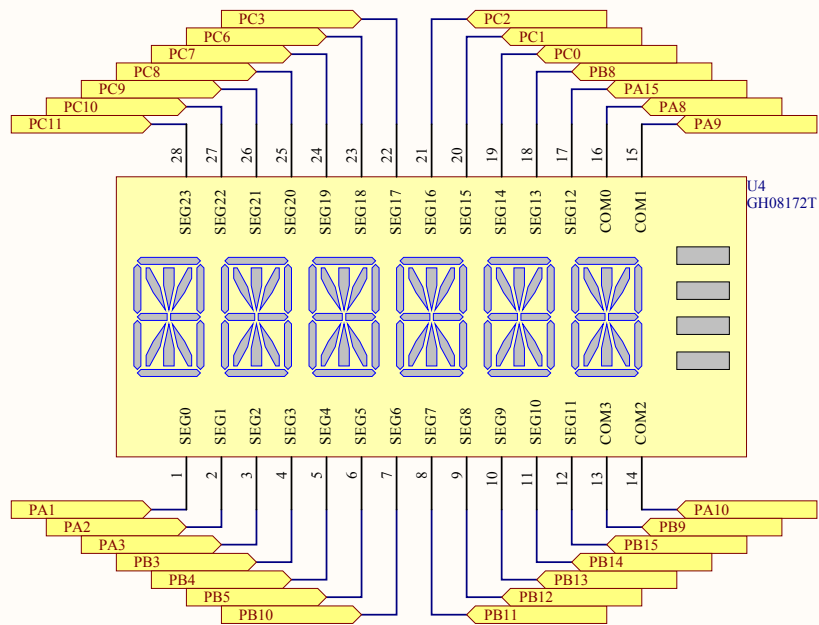
U8B

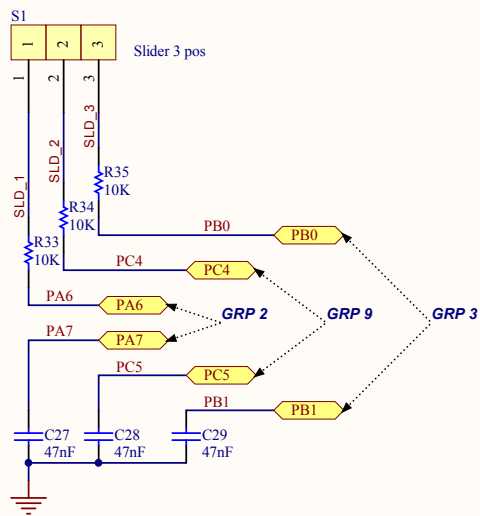


STMicroelectronics

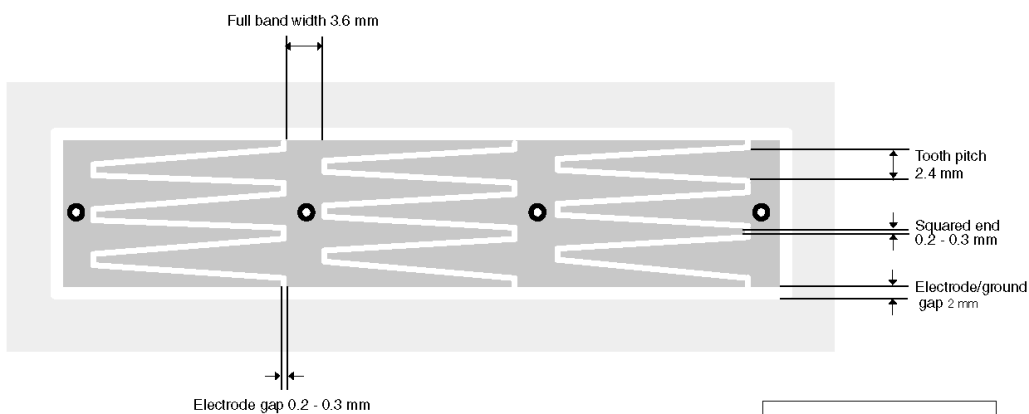
Title: STM32L-DISCOVERY MCU			
Number: MB963	Rev: B.1(PCB.SCH)	Date: 3/14/2011	Sheet 2 of 4

LCD

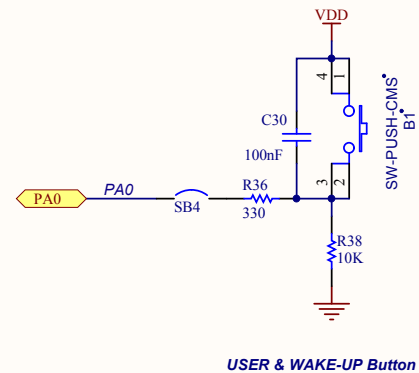
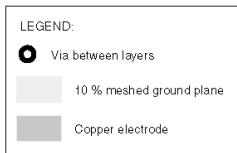




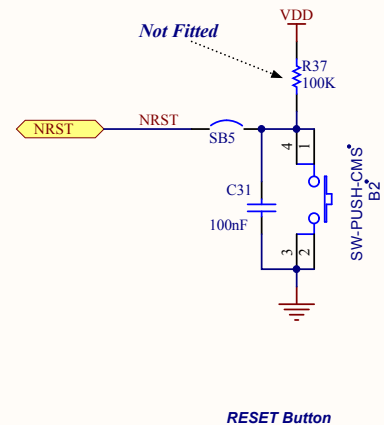
SLIDER 3 Positions



Interlaced slider with three elements (up to 60 mm long)



USER & WAKE-UP Button



RESET Button

STMicroelectronics

Title: **STM32L-DISCOVERY SLIDER and Push Button**

Number: **MB963** Rev: B.1(PCB.SCH) Date: 3/14/2011 Sheet 2 of 5