

CKT SIZE	PART NUMBER	DIM A	DIM B	DIM C	DIM K	ANTI-WICKING
2	$\triangle/8$ 78171-0002	1.2	2.6	4.2	1.5	YES
3	$\triangle/8$ 78171-0003	2.4	3.8	5.4	2.7	YES
4	$\triangle/8$ 78171-0004	3.6	5.0	6.6	3.9	YES
5	$\triangle/8$ 78171-0005	4.8	6.2	7.8	5.1	YES

NOTES:

1. MATERIALS:

HOUSING: LCP, UL94V-0, COLOUR : BLACK
 TERMINAL: COPPER ALLOY
 FITTING NAIL: COPPER ALLOY

2. FINISHES:

TERMINAL : GOLD 0.14µm MIN. WITH 1.0 UM MIN NICKEL UNDERPLATE OVERALL
 FITTING NAIL : 1.5 UM MIN TIN WITH 1.0UM MIN NICKEL UNDERPLATE OVERALL.

3. PRODUCT SPECIFICATION: PS-78171-010

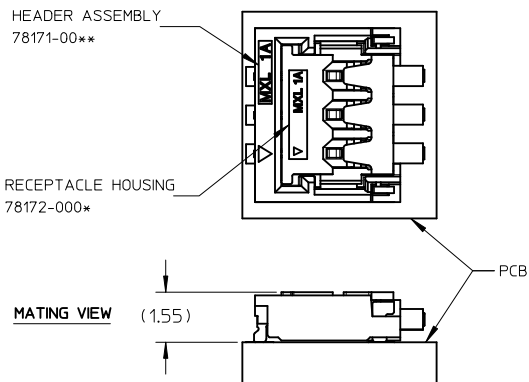
4. PACKAGING SPECIFICATION: TAPE & REEL PACKAGING

5. MATES WITH MOLEX PART NUMBER 78172-00**

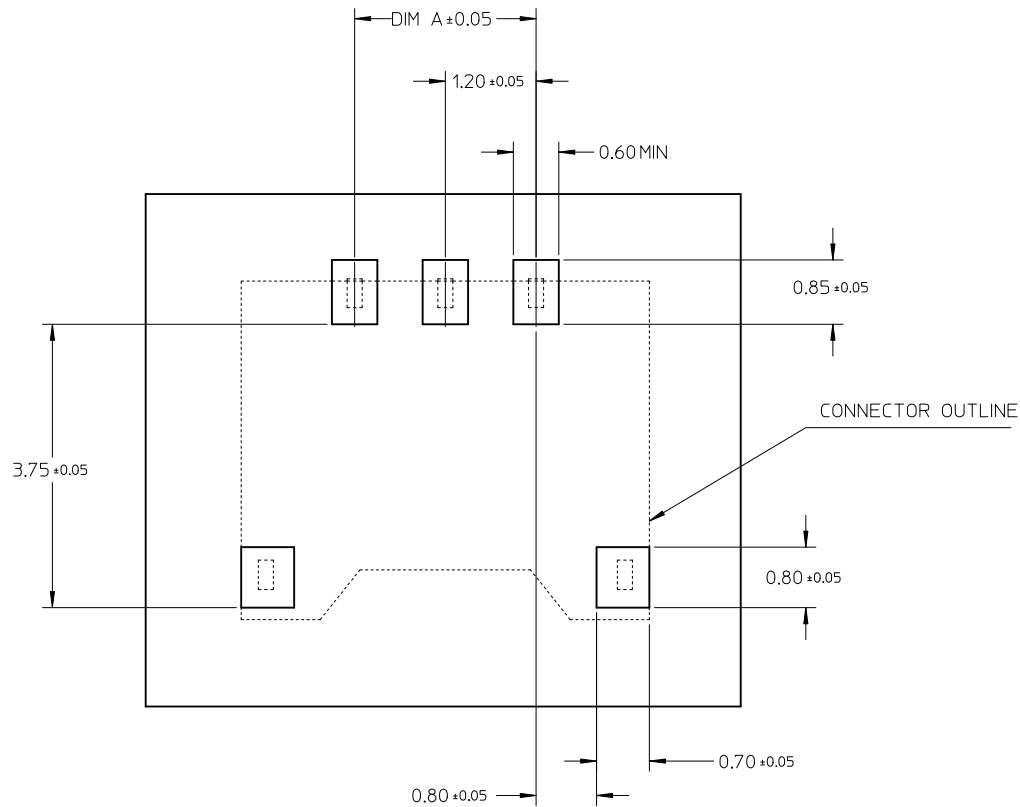
6. 3 CIRCUITS IS SHOWN FOR ILLUSTRATION PURPOSE ONLY

7. SOLDER TAIL AND FITTING NAIL COPLANARITY : 0.10 MM MAX TO BE MEASURED BY PLACING THE CONNECTOR ON A FLAT GAUGED SURFACE.

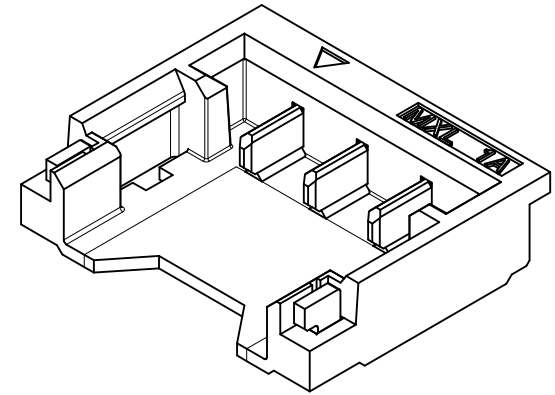
$\triangle/8$ APPLY FLUX ANTI-WICKING SOLUTION ON HOUSING BEFORE TERMINAL ASSEMBLY.



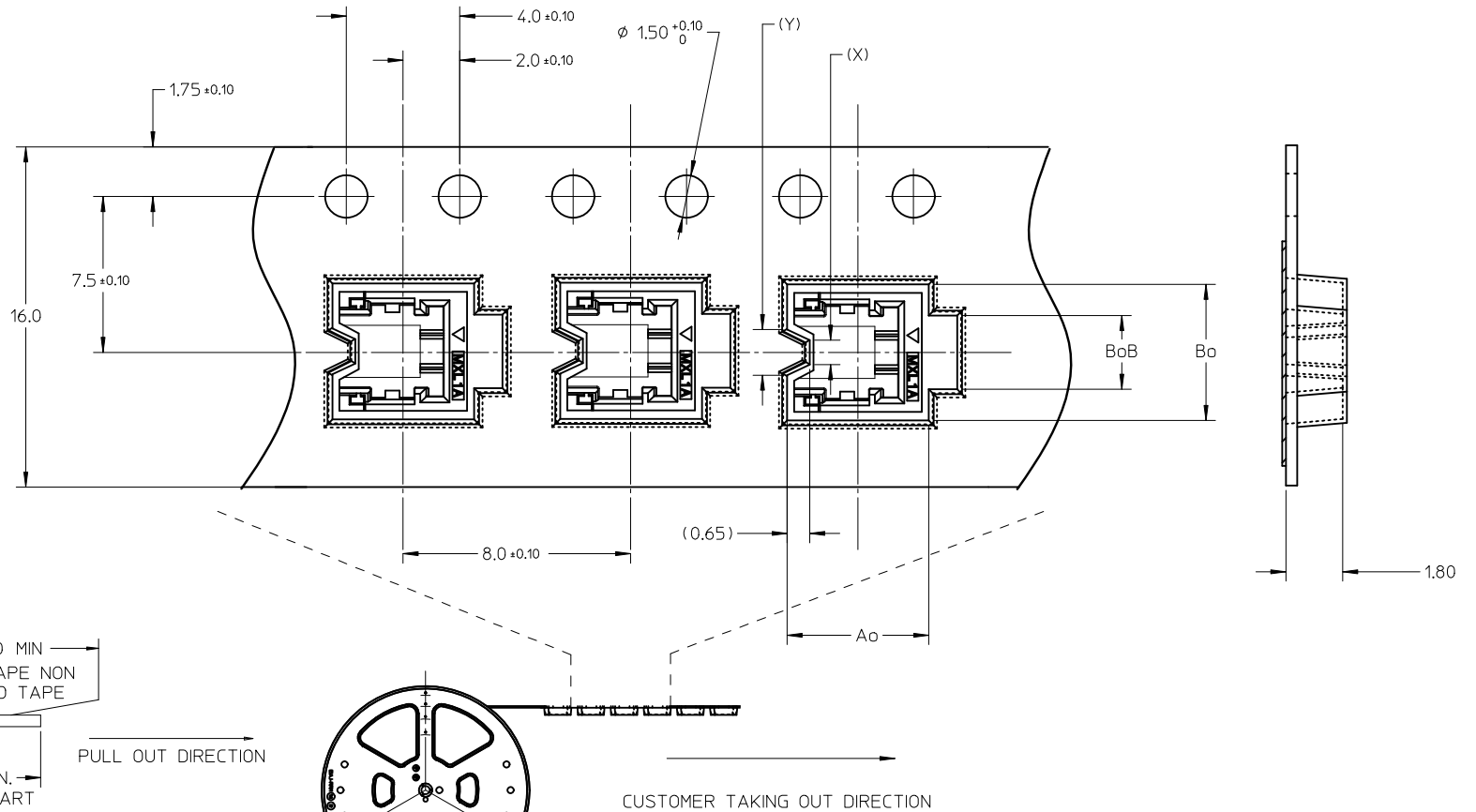
REVISED EC NO: J2011-0746 DRWN: C/LAM CHKD: APPR: NUKITA 2010/12/02 2011/03/17	QUALITY SYMBOLS	GENERAL TOLERANCES (UNLESS SPECIFIED)	DIMENSION STYLE	SCALE	DESIGN UNITS	THIRD ANGLE PROJECTION
	$\nabla=0$	mm INCH	MM ONLY	NTS	METRIC	
	$\nabla C=0$	4 PLACES ± --- ± ---	DRAWN BY DATE	TITLE	1.20MM PITCH, W-T-B PLUG CONNECTOR	
		3 PLACES ± --- ± ---	CHECKED BY DATE	MOLEX INCORPORATED		
	2 PLACES ± 0.2 ± ---	APPROVED BY DATE	MATERIAL NO.		DOCUMENT NO.	SHEET NO.
	1 PLACE ± 0.3 ± ---	ANGULAR ± 3 °	SEE TABLE		SD-78171-008	1 OF 3
		DRAFT WHERE APPLICABLE MUST REMAIN WITHIN DIMENSIONS	THIS DRAWING CONTAINS INFORMATION THAT IS PROPRIETARY TO MOLEX INCORPORATED AND SHOULD NOT BE USED WITHOUT WRITTEN PERMISSION			



RECOMMENDED PCB LAYOUT

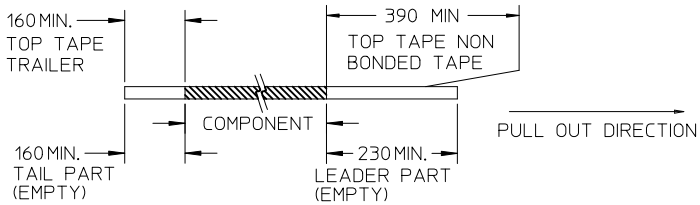


REVISED EC NO: J2011-0746 DRWN: CWLAM 2010/12/02 CHKD: APPR: NUKITA 2011/03/17 REV DESCRIPTION	QUALITY SYMBOLS	GENERAL TOLERANCES (UNLESS SPECIFIED)	DIMENSION STYLE	SCALE	DESIGN UNITS	THIRD ANGLE PROJECTION	
	▼=0 □=0	mm INCH 4 PLACES ± --- ± --- 3 PLACES ± --- ± --- 2 PLACES ± 0.2 ± --- 1 PLACE ± 0.3 ± --- ANGULAR ± 3 °	MM ONLY	NTS	METRIC		
		DRAFT WHERE APPLICABLE MUST REMAIN WITHIN DIMENSIONS	DRAWN BY: CWLAM CHECKED BY: KSSHANTHA APPROVED BY: NUKITA MATERIAL NO.	DATE: 2007/10/25 DATE: 2007/12/07 DATE: 2010/10/25	TITLE	1.20MM PITCH, W-T-B PLUG CONNECTOR	
			SEE TABLE		MOLEX INCORPORATED DOCUMENT NO.	SD-78171-008 SHEET NO.	2 OF 3

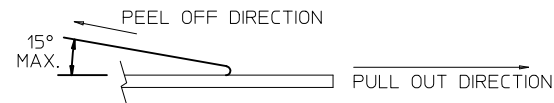


NOTES:

1. LEADER AND TRAILER TAPE



2. PEELING OFF FORCE OF THE TOP TAPE: 20 - 80gf.
(PEELING DIRECTION AS SHOWN IN FOLLOWING FIGURE)



3. TAPE AND REEL SPECIFICATION IS AS PER EIA-481.
4. TAPE AND REEL QUANTITY : 4500 PCS/ REEL.
5. MATERIAL : CARRIER TAPE : PP CLEAR
REEL / FLANGE : PS, COLOUR : BLACK
6. Ao & Bo ARE MEASURED ON A PLANE 0.3MM ABOVE THE BOTTOM OF THE POCKET.

CKT	Ao	Bo	BoB	(X)	(Y)	EMBOSS P/N	TOP TAPE P/N	REEL P/N
2	5.0	4.7	2.6	0.74	1.54	89990-2525	59499 -0102	89990-6802
3	5.0	5.9	3.8	1.94	2.74	89990-2526		
4	5.0	7.1	5.0	3.14	3.94	89990-2527		
5	5.0	8.3	6.2	4.34	5.14	89990-2529		

REVISED EC NO: J2011-0746 DRWN: CWLAM CHKD: APPR: NUKITA 2010/12/02 2011/03/17	QUALITY SYMBOLS ▽=0 ◻=0	GENERAL TOLERANCES (UNLESS SPECIFIED)		DIMENSION STYLE MM ONLY		SCALE NTS	DESIGN UNITS METRIC	THIRD ANGLE PROJECTION	
			mm	INCH	DRAWN BY CWLAM	DATE 2007/10/25	TITLE 1.20MM PITCH, W-T-B PLUG CONNECTOR		
		4 PLACES	± ---	± ---	CHECKED BY KSSHANTHA	DATE 2007/12/07	MOLEX INCORPORATED		
		3 PLACES	± ---	± ---	APPROVED BY NUKITA	DATE 2010/10/25	DOCUMENT NO. SD-78171-008		
2 PLACES	± 0.2	± ---	ANGULAR ± 3 °		MATERIAL NO.		SHEET NO. 3 OF 3		
1 PLACE	± 0.3	± ---	DRAFT WHERE APPLICABLE MUST REMAIN WITHIN DIMENSIONS		SEE TABLE		THIS DRAWING CONTAINS INFORMATION THAT IS PROPRIETARY TO MOLEX INCORPORATED AND SHOULD NOT BE USED WITHOUT WRITTEN PERMISSION		