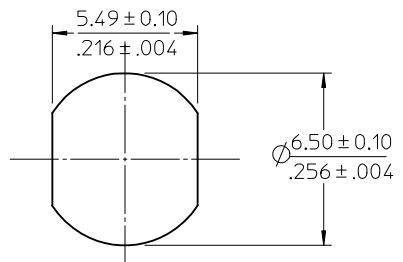
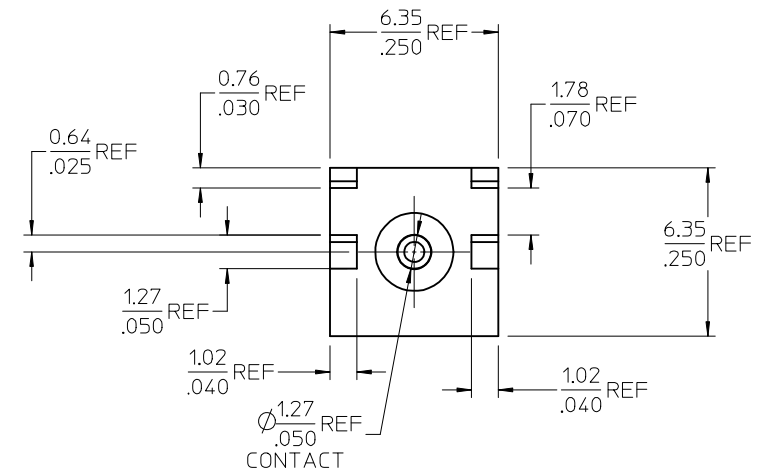
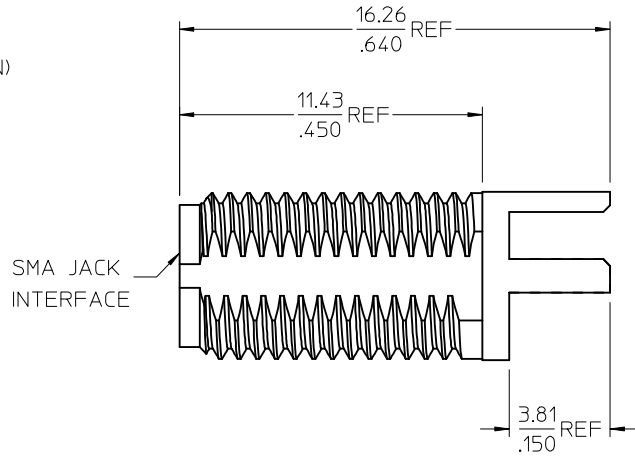
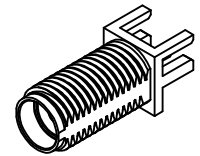


**MATERIALS AND FINISHES**

BODY: BRASS  
 PLATED: GOLD (10 MICROINCHES MIN)

CENTER CONTACT: BeCu  
 PLATED: GOLD (30 MICROINCHES MIN)

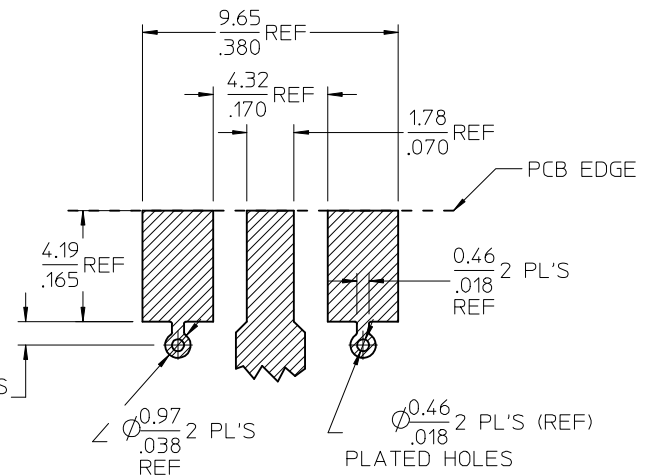
INSULATOR: TEFLON



RECOMMENDED PANEL CUTOUT

**RECOMMENDED PAD LAYOUT**

BASE WIDTH: 6.35(.250) NOM.  
 BOARD THICKNESS: 1.57(.062) NOM.  
 BOARD MATERIAL: FR4 W/1.0 OZ COPPER  
 BOTH SIDES



**PART # 73251-2120**

PS-89675-3370	PRODUCT SPECIFICATION
MIL-STD-348A, FIG. 310.2	INTERFACE
SPECIFICATION	DESCRIPTION

UNLESS OTHERWISE SPECIFIED DIMS ARE MILLIMETERS AND ANGLES ARE DEGREES.

- ALL OVER.
- NO CHATTER OR NON-UNIFORM SURFACE FINISH ALLOWED.
- PARTS TO BE FREE OF BURRS & SHARP EDGES 0.13(.005) MAX BREAK.
- EXTERNAL THREADS TO BE ROLLED OR SINGLE POINT.
- DIAMETERS TO BE CONCENTRIC WITHIN 0.08(.003) TIR.

CHG: ADD -2122  
 EC NO: URF2009-0215  
 DRWN: JWIENER 2008/11/04  
 CHKD: SSHAH 2008/11/04  
 APPR: JWIENER 2008/11/04

QUALITY SYMBOLS  
 ▽=0  
 ▽=0

GENERAL TOLERANCES (UNLESS SPECIFIED)

	mm	INCH
4 PLACES ±	---	---
3 PLACES ±	---	---
2 PLACES ±	---	---
1 PLACE ±	---	---

ANGULAR ± 2 °

DRAFT WHERE APPLICABLE MUST REMAIN WITHIN DIMENSIONS

DIMENSION STYLE  
 MM/IN

DRAWN BY: SSS DATE: 2003/07/09  
 CHECKED BY: TEF DATE: 2003/07/09  
 APPROVED BY: GMH DATE: 2003/07/09

MATERIAL NO. 732512120

SCALE: METRIC

DESIGN UNITS: METRIC

THIRD ANGLE PROJECTION

TITLE: SMA JACK, EDGE MOUNT  
 .062 BOARD, 50 OHMS,  
 EWR-2074 SMA-J/PCB

MOLEX INCORPORATED

DOCUMENT NO. SD-73251-212

SHEET NO. 1 OF 2

THIS DRAWING CONTAINS INFORMATION THAT IS PROPRIETARY TO MOLEX INCORPORATED AND SHOULD NOT BE USED WITHOUT WRITTEN PERMISSION

MATERIALS AND FINISHES

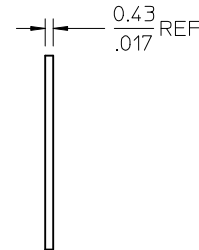
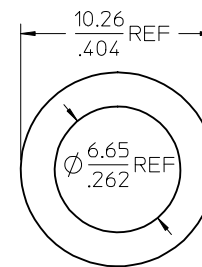
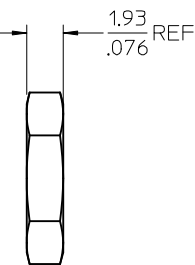
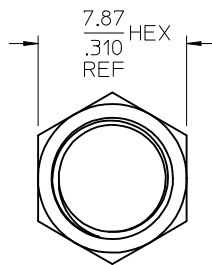
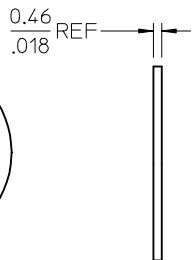
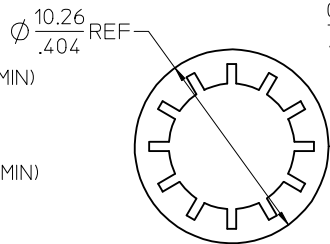
BODY: BRASS  
PLATED: GOLD (10 MICROINCHES MIN)

CENTER CONTACT: BeCu  
PLATED: GOLD (30 MICROINCHES MIN)

INSULATOR: TEFLON

JAM NUT, FLAT WASHER: BRASS  
PLATED: GOLD

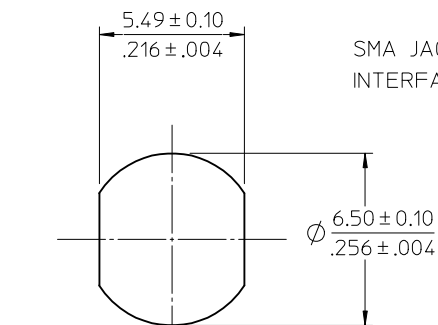
LOCKWASHER: PHOSPHOR BRONZE  
PLATED: GOLD



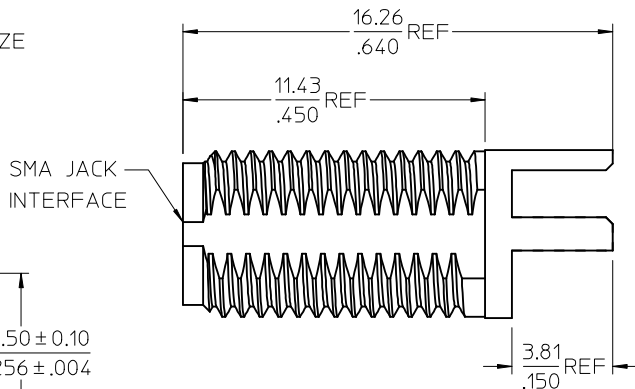
LOCKWASHER  
(73251-2121 ONLY)

JAM NUT  
73251-2121 AND -2122

FLAT WASHER  
(73251-2122 ONLY)

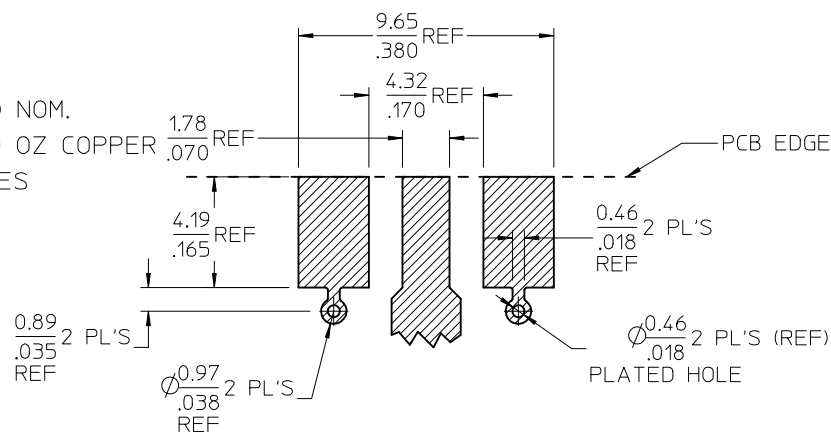
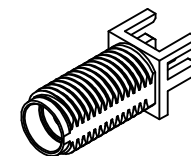
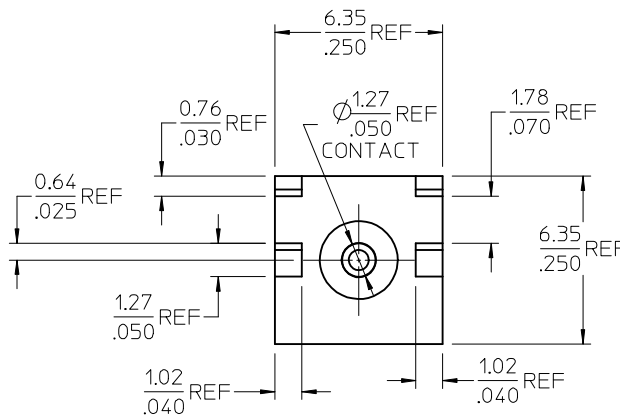


RECOMMENDED PANEL CUTOUT



RECOMMENDED PAD LAYOUT

BASE WIDTH: 6.35(.250) NOM.  
BOARD THICKNESS: 1.57(.062) NOM.  
BOARD MATERIAL: FR4 W/1.0 OZ COPPER  
BOTH SIDES



PART # 73251-2122 (WITH FLAT WASHER/JAM NUT)

PART # 73251-2121 (WITH LOCKWASHER/JAM NUT)

PS-89675-3370	PRODUCT SPECIFICATION
MIL-STD-348A, FIG. 310.2	INTERFACE
SPECIFICATION	DESCRIPTION

CHG: SEE SHEET 1 EC NO: URF2009-0215 DRWN: JWIENER 2008/11/04 CHKD: SSHAH 2008/11/04 APPR: JWIENER 2008/11/04	QUALITY SYMBOLS ▽=0 ▽=0	GENERAL TOLERANCES (UNLESS SPECIFIED) 4 PLACES ± --- ± --- 3 PLACES ± --- ± --- 2 PLACES ± --- ± --- 1 PLACE ± --- ± --- ANGULAR ± 2 °	DIMENSION STYLE MM/IN	SCALE DESIGN UNITS METRIC	THIRD ANGLE PROJECTION	DRAWN BY SSS DATE 2003/07/09	CHECKED BY TEF DATE 2003/07/09	APPROVED BY GMH DATE 2003/07/09	TITLE SMA JACK, EDGE MOUNT .062 BOARD, 50 OHMS, EWR-2074 SMA-J/PCB	MOLEX INCORPORATED	MATERIAL NO. 732512121	DOCUMENT NO. SD-73251-212	SHEET NO. 2 OF 2