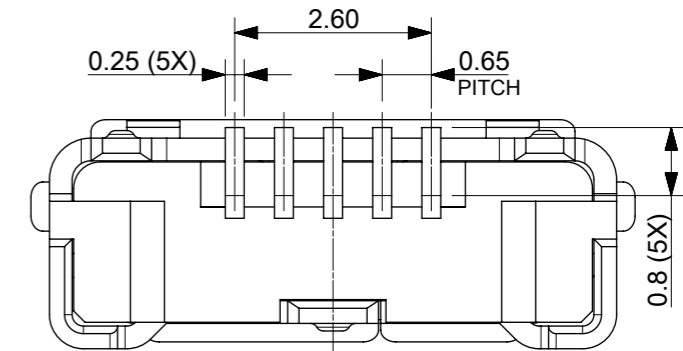
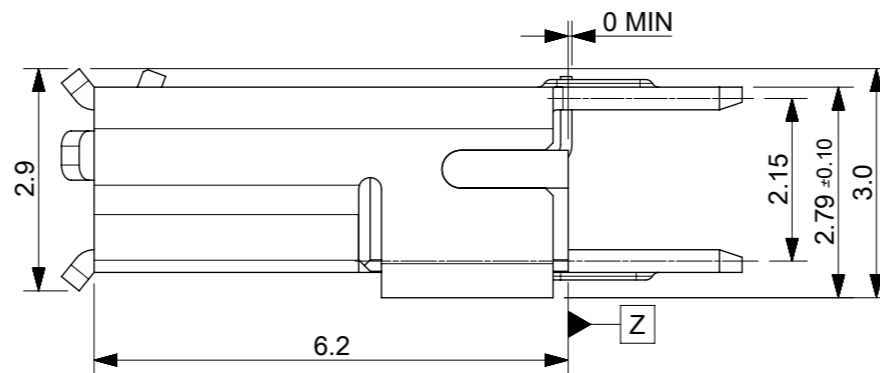
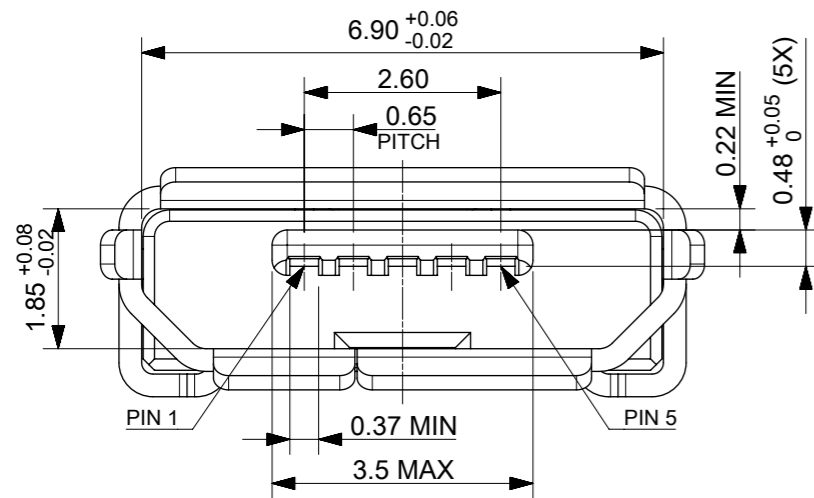


RECOMMENDED PCB LAYOUT (THICKNESS=1.6mm)
GENERAL TOLERANCE: ±0.05



PIN	NAME
5	GND
4	ID
3	D+
2	D-
1	VBUS

PIN ASSIGNMENT

NOTES:

- MATERIAL:**
HOUSING & COVER: HIGH TEMPERATURE THERMOPLASTIC, BLACK, UL94V-0;
TERMINAL: COPPER ALLOY, THICKNESS: 0.15mm;
SHELL: STAINLESS STEEL, THICKNESS: 0.30mm.
- PLATING:**
TERMINAL: CONTACT AREA: GOLD FLASH OVER MINIMUM 0.75 MICRON Pd/Ni;
SOLDER TAIL AREA: GOLD FLASH;
UNDER PLATING: NICKEL 2.0 MICRON MINIMUM.
SHELL: MATTE TIN 1.27 MICRON MINIMUM;
UNDER PLATING: NICKEL 1.27 MICRON MINIMUM.
- TAIL COPLANARITY 0.08mm MAXIMUM.**
- PRODUCT SPECIFICATION: PS-105133-001.**
- PACKAGE SPECIFICATION: PK-105133-001.**
- COMPLIANT TO RoHS DIRECTIVE 2011/65/EU AND ELV 2000/53/EC.**

THIS DRAWING CONTAINS INFORMATION THAT IS PROPRIETARY TO MOLEX ELECTRONIC TECHNOLOGIES, LLC AND SHOULD NOT BE USED WITHOUT WRITTEN PERMISSION

ADD DIMENSIONS EC NO: 108812 DRWN: XQZHANG CHK'D: XQZHANG REV APPR: AYIN	2016/03/30 2016/09/27 2016/10/12	GENERAL TOLERANCES (UNLESS SPECIFIED) ANGULAR TOL ± 3.0 °	DIMENSION UNITS: MM SCALE: 10:1		
	4 PLACES ± 3 PLACES ± 2 PLACES ± 0.2 1 PLACE ± 0.25 0 PLACES ±	DRAFT WHERE APPLICABLE MUST REMAIN WITHIN DIMENSIONS	DRWN BY: XQZHANG DATE: 2012/05/07		SALES DRAWING FOR USB, MICRO-B VERTICAL TYPE
	APPR BY: AYIN DATE: 2012/06/22	DRAWING SIZE: A3 THIRD ANGLE PROJECTION	CHK'D BY: XQZHANG DATE: 2012/05/07		PRODUCT CUSTOMER DRAWING
	SERIES: 105133 MATERIAL NUMBER: 105133-0011 CUSTOMER: GENERAL MARKET	DOCUMENT NUMBER: SD-105133-011 DOC TYPE: PSD DOC PART: 000 SHEET NUMBER: 1 OF 1	DATE: 2012/05/07		PRODUCT CUSTOMER DRAWING

RELEASE STATUS	RELEASE DATE
----------------	--------------