

**Specifications**

**Material**  
 Plastic Housing: LCP UL94V-0, Black  
 Contact Terminal: Copper Alloy  
 Metallic Shell: Stainless Steel  
 SMT Hold-Down: Stainless Steel

**Plating**

**Contact Terminal:**  
 Underplating: 50µm Nickel all over  
 Contact Area: Gold Flash  
 Soldering Area: Tin  
 SMT Hold-Down: Tin over Nickel

**Electrical**

Voltage Rating: 100 V DC  
 Current Rating: 0.5 A max.  
 Contact Resistance: 100 mΩ max.  
 Card Detection Switch  
 Contact Resistance: 500 mΩ max.  
 Insulation Resistance: 1000 MΩ min  
 Dielectric Withstanding Voltage: 500V AC for 1 min.

**Mechanical & Environmental**

Operating Temperature: -40°C to +85°C  
 Durability: 5000 Cycles

**Recommended PCB Layout**

General Tolerance: ±0.05  
 ▨ Solder Area ▩ Keep Out Area □ Component Outline

Micro SD Card Pin Out		
Pin	Name	Description
P1	DAT2	Data Bit 2
P2	CD/DAT3	Card Detect/Data Bit 3
P3	CMD	Command Line
P4	VDD	Supply Voltage 2.7v/3.6v
P5	CLK	Clock
P6	VSS	Ground
P7	DAT0	Data Bit 0
P8	DAT1	Data Bit 1

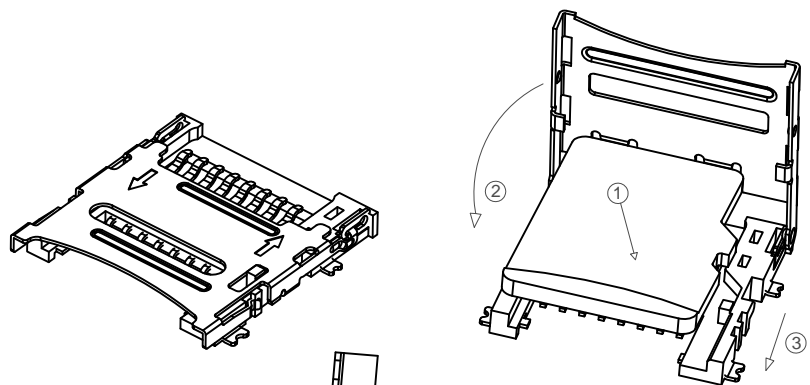
**Ordering Grid**

MEM2067-02-180-00-A Request Samples and Quotation

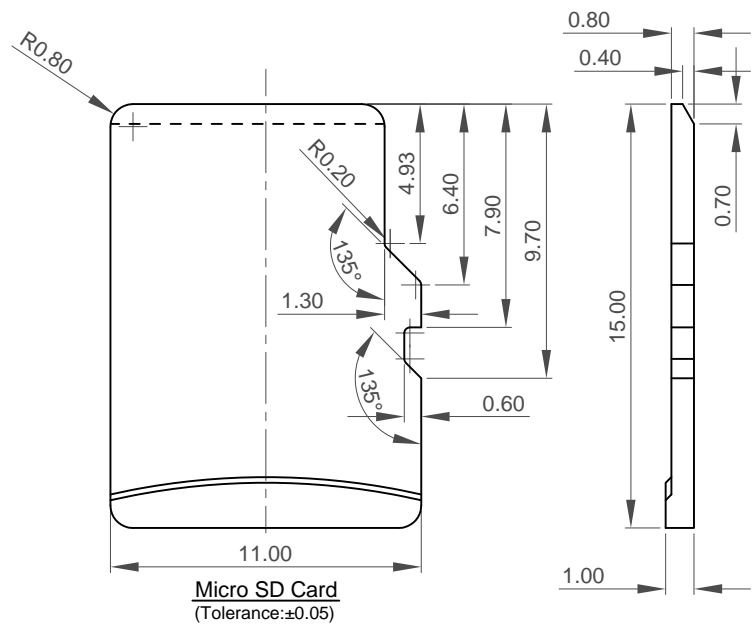
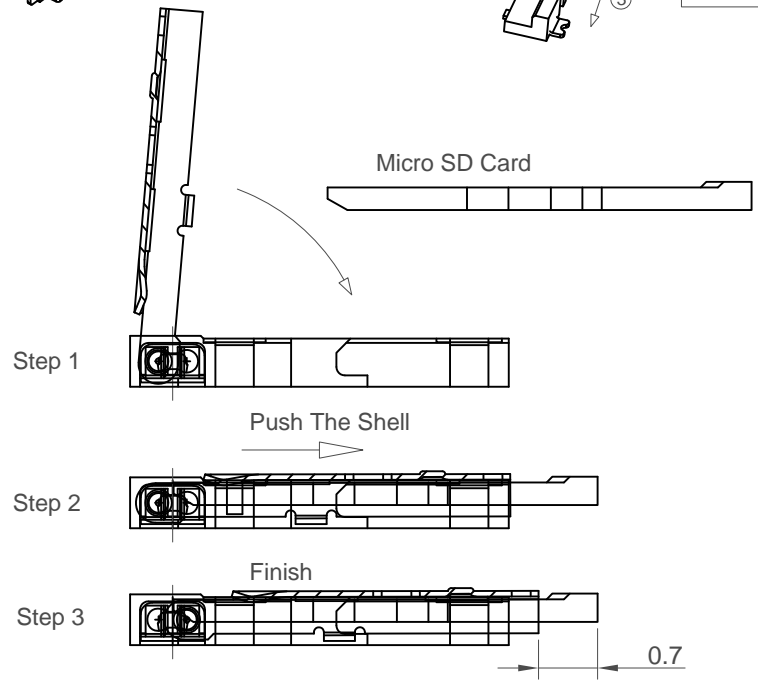
**Switch** 02 = Without Switch    **Locating Post** 00 = Without    **Packing Options** A = Tape & Reel  
 (Quantity per Reel: 1000 pcs)

Part Number MEM2067		Product Description Micro SD Memory Card Connector		<b>GCT</b> www.gct.co
Drawing Date 10th January 2014		SMT, Hinged, 1.80mm Profile		
By Detail	CC MEM2067 B PCN	Tolerances (Except as Noted) Length X. ± 0.35 X.X ± 0.25 X.XX ± 0.15 X.XXX ± 0.10	Angle X.° ± 5° X.X° ± 4° X.XX° ± 3° X.XXX° ± 2°	Units: Metric (mm)
Revision Date	B4 30/03/18			This drawing is confidential and copyright of Global Connector Technology, Ltd (GCT). This drawing must not be copied or disclosed without written consent. E & OE
Not to Scale		Drawn By AJO	Sheet No. 1/3	

H  
G  
F  
E  
D  
C  
B  
A



- ① Insert Card
- ② Close Lid
- ③ Slide Lid To Lock



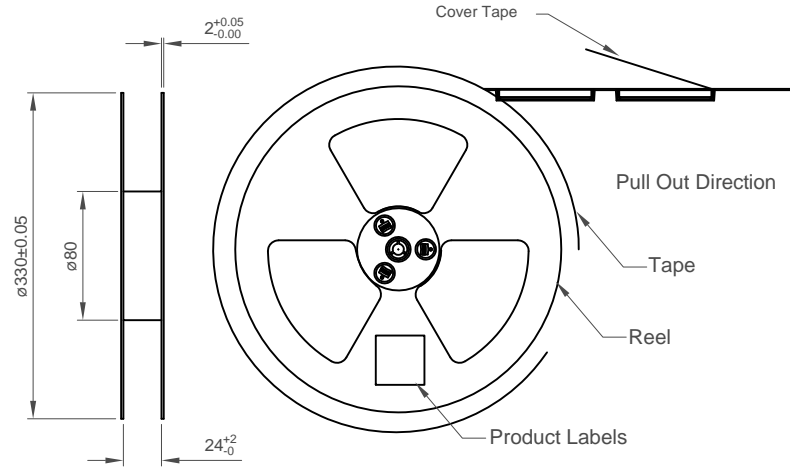
All drawings for illustrative purposes only.  
Not representative of actual parts.

Part Number MEM2067		Product Description Micro SD Memory Card Connector SMT, Hinged, 1.80mm Profile	
Drawing Date 10th January 2014			
By CC	Tolerances (Except as Noted) Length X.X ± 0.35 X.XX ± 0.25 X.XXX ± 0.150	Angle X.° ± 1° X.X° ± 0.5° X.XX° ± 0.25°	Units: Metric (mm)
Detail MEM2067 B PCN			This drawing is confidential and copyright of Global Connector Technology, Ltd (GCT). This drawing must not be copied or disclosed without written consent. E & OE
Revision B4			
Date 30/03/18			

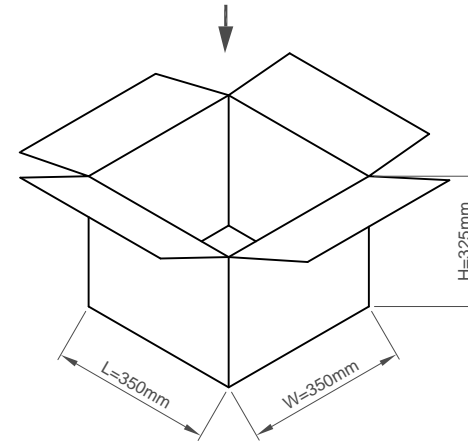
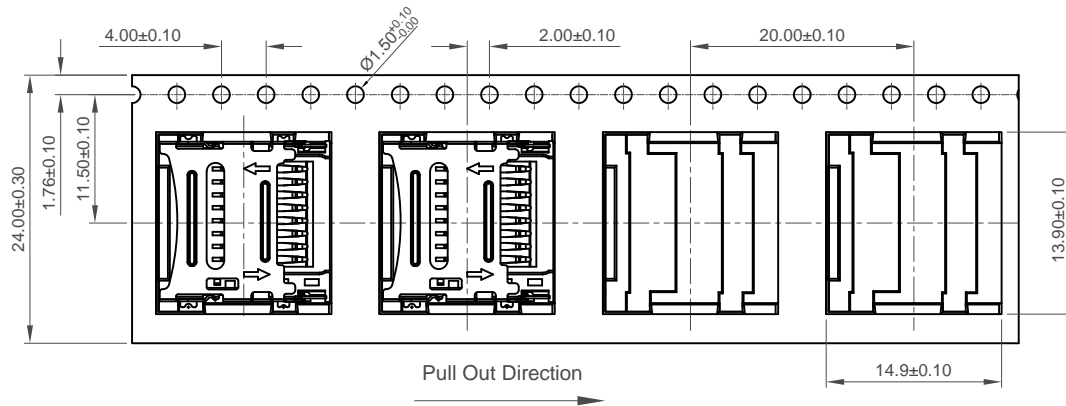
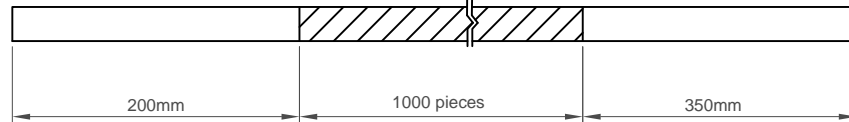
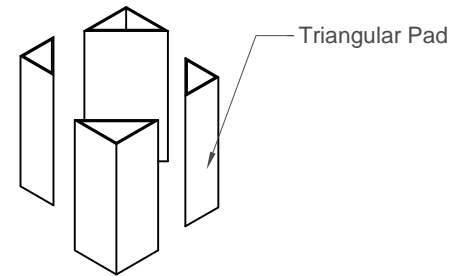
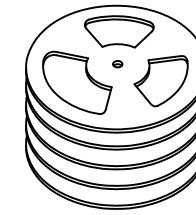


Not to Scale  
Drawn By  
AJO  
Sheet No.  
2/3

1 2 3 4 5 6 7 8



Product no.	PCS/Reel	Reels/Carton	PCS/Carton
MEM2067	1000	10	10000



- Notes:
1. Primary Packing: 1K pcs/reel
  2. Secondary Packing: 10 reel/carton
  3. Net Weight/carton : 9.30Kg
  4. Gross Weight/carton: 10.50Kg

Part Number		Product Description	
MEM2067		Micro SD Memory Card Connector	
Drawing Date		SMT, Hinged, 1.80mm Profile	
10th January 2014			
By	CC	Tolerances (Except as Noted)	Units:
Detail	MEM2067 B PCN	Length X. ± 0.35 X.X ± 0.25 X.XX ± 0.15 X.XXX ± 0.10	Metric (mm)
Revision	B4	Angle X.° ± 5° X.XX° ± 4° X.XXX° ± 3° X.XXX° ± 2°	
Date	30/03/18		



This drawing is confidential and copyright of Global Connector Technology, Ltd (GCT). This drawing must not be copied or disclosed without written consent. E & OE



Not to Scale	Drawn By AJO	Sheet No. 3/3
--------------	--------------	---------------