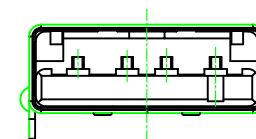
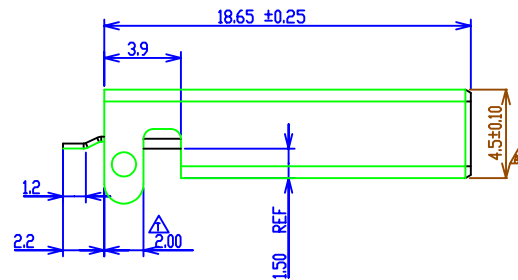
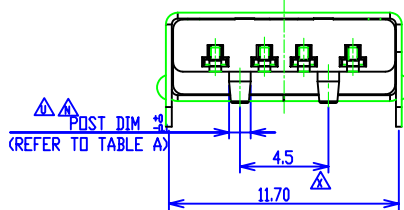
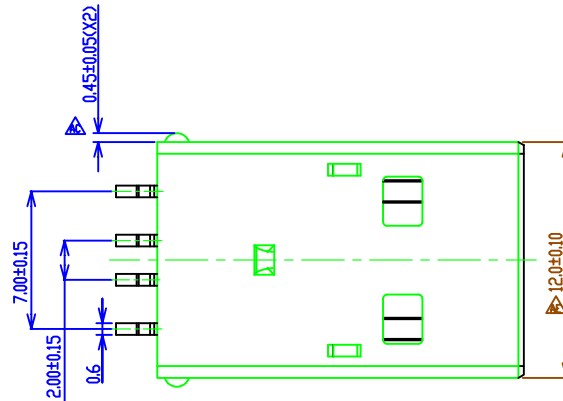


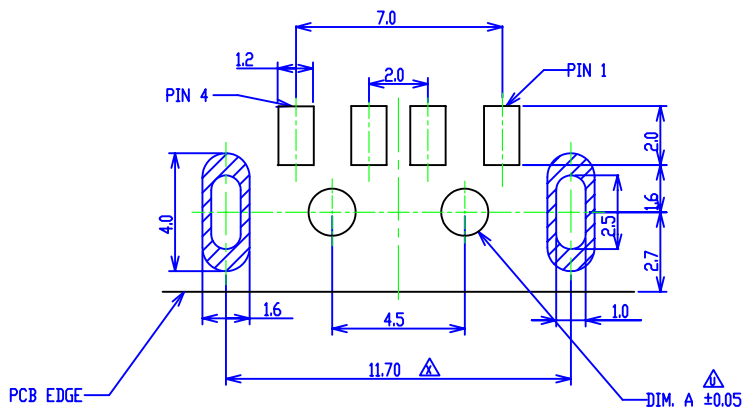
1 2 3 4 5 6 7 8

| REV. | EC# | DESCRIPTION | DATE | DRAWN | CHECKED | APPROVED |
|------|---------------|-------------|-----------|--------|------------|------------|
| AA | SZECR09012 | △X1,DX1 | 02/06/08' | LYP | FLYING | FLYING |
| AB | SZECR09067 | △X1,AX1 | 04/15/09' | LYP | FLYING | FLYING |
| AC | SZECR09263 | △X1,MX1 | 08/07/09' | JIALIN | FLYING | FLYING |
| AD | SZECR10444 | △X1,AX1 | 01/24/11' | YINGX | JIAN.CHENG | JIAN.CHENG |
| AE | SZECR11078-01 | △X7,AX3,MX4 | 06/24/11' | XINZ | AlanTsai | JIAN.CHENG |



| 3 | CONTACT | 4 | T-UAR70-XXX00 | COPPER ALLOY/SELECTIVE GOLD PLATED (REFER TO TABLE A) |
|---------------------------------------|-----------|----------|---------------|---|
| 2 | INSULATOR | 1 | I-UAR70-14X10 | THERMOPLASTIC, UL 94V-0 RATED |
| 1 | SHELL | 1 | S-UAR70-34XXX | COLD ROLL STEEL/PLATED (REFER TO TABLE A) |
| ITEM | NAME | QTY | PART # | MATERIAL / FINISH |
| TOLERANCES UNLESS OTHERWISE SPECIFIED | | DRAWN | | DATE |
| GENERAL | | LED | | 10/05/00' |
| XXX | | DESIGN | | DATE |
| XXX | | LED | | 10/05/00' |
| ANGLES | | CHECKED | | DATE |
| XXX | | JEFF | | 10/14/00' |
| SCALE 4:1 | | APPROVED | | DATE |
| SHEET 1 OF 2 | | J.CHEN | | 10/14/00' |
| UNIT PPM | | SERIES | | UAR70 SERIES |
| CUSTOMER DRAWING | | BVG NO. | | C-UAR70-00-00 |
| | | SIZE | | A3 |
| | | REV. | | AE |

1 | 2 | 3 | 4 | 5 | 6 | 7 | 8



| POST DIM | DIM. A |
|----------|--------|
| Ø1.5 | Ø1.6 |
| Ø1.1 | Ø1.2 |
| Ø1.0 | Ø1.1 |

TABLE A:

| | | | | | | |
|----------|---|---|---|---|---|---|
| △ UAR70- | 4 | X | X | X | X | X |
| ① | ② | ③ | ④ | ⑤ | ⑥ | ⑦ |

① PRODUCTION CODE:
UAR70 : MALE, R/A SMT TYPE.

② POSITIONS:
4: 4 POSITIONS

③ COLOR OF INSULATOR :
K : BLACK
N : NATURE

△ ④ CONTACT PLATING :
2 : 5u" GOLD PLATING
5 : 30u" GOLD PLATING
OR PLATED Pd-Ni 30u" MIN AND PLATED GOLD 2u" MIN ON TOP.
△ C : 5u" GOLD PLATING ON CONTACT AREA
Sn-Cu PLATING ON SOLDER AREA
△ 7 : 30u" GOLD PLATING WITH SEALING
△ R : PLATED Pd-Ni 15u" MIN AND GOLD 2u" MIN ON TOP(OILY SEALING).

⑤ SHELL PLATING & LOGO :
△ 4 : Au W/D LOGO
C : TIN W/D LOGO
J : NI W/D LOGO
△ △ N : Cu+NI WITH SEALING W/D LOGO
△ Q : Cu+Cr WITH SEALING W/D LOGO

⑥ THE MATERIAL OF INSULATION :
1 : PA-6T △

⑦ POST DIM. :
0 : Ø1.1, TRAY
1 : Ø1.5, TRAY
△ 2 : Ø1.0, TRAY & DIP ±0.8mm
△ 4 : NO POST , TAPE
△ 5 : Ø1.0, TAPE & DIP ±1.2mm
△ 8 : Ø1.1, TRAY+Vacuum package
△ A : Ø1.1, TAPE & REEL
△ B : Ø1.5, TAPE & REEL
△ C : Ø1.0, TAPE & REEL
△ W : Ø1.1, TRAY, W/D DIMPLE
△ Y : Ø1.5, TRAY& DIP±1.0mm
△ L : Ø1.1 TAPE&REEL TRAY,W/D DIMPLE

NOTES :
1.0. RATING :
1.1. VOLTAGE : 30 VAC (R.M.S.)
△ 1.2. CURRENT : 1.5 AMPERE AT 250VAC MAXIMUM PER CONTACT AT 30°C T-RISE
1.3. TEMPERATURE : -20°C TO +60°C UNLESS LIMITED BY CABLE OR OVERMOLD (-20°C TO +60°C STORAGE, +0°C TO +40°C OPERATING)
△ 1.4. TEMPERATURE : REFER TO PRODUCT SPEC. No. : CSP-UAC10-00-00
2.0. ELECTRIC CHARACTERISTIC :
2.1. CONTACT RESISTANCE : 30 MILLIOHMS MAXIMUM INITIAL
2.2. INSULATION RESISTANCE : 1,000 MEGOHMS MINIMUM
2.3. DIELECTRIC WITHSTANDING VOLTAGE : 500 VAC AT SEA LEVEL
3.0. FINISHES :
3.1. SHELL : SEE TABLE A
4.0. OTHERS :
4.1. PRODUCT NUMBERING CODE: REFER TO TABLE A
5.0. DELETE P/N 8

| | | |
|--|-----------------------------------|--|
| TOLERANCES UNLESS OTHERWISE SPECIFIED GENERAL X .020 X .025 XX .015 XXX .010 | DRAWN DATE LED 10/05/00' | |
| ANGLES X' .50P X" .50P X" .50P | DESIGN DATE LED 10/05/00' | |
| SCALE 4:1 | CHECKED DATE JEFF 10/14/00' | TITLE USB PLUG CONNECTOR,SERIES A 4 POSITIONS,SMT TYPE |
| SHEET 2 OF 2 | APPROVED DATE J.CHEN 10/14/00' | SERIES UAR70 SERIES DWG NO. C-UAR70-00-00 |
| UNIT P/N | CUSTOMER DRAWING | SIZE A3 REV. AE |