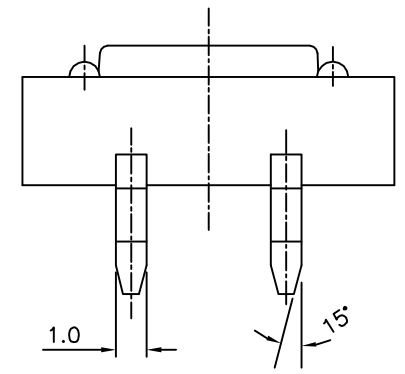
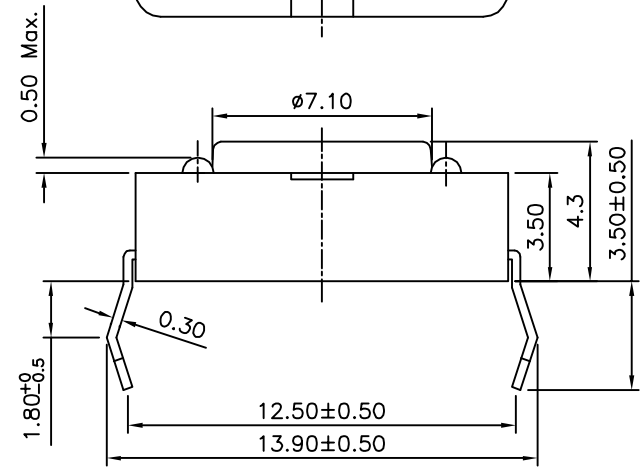
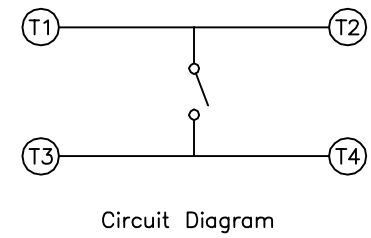
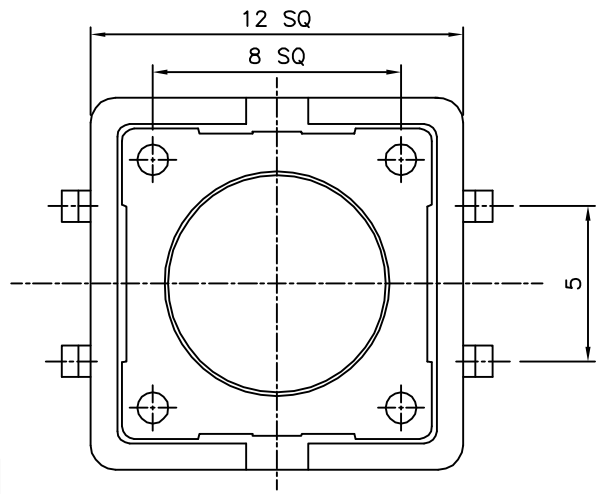


**SPECIFICATION**  
 Current Range:50mA,12V DC  
 Dielectric Withstand Voltage:250V AC(50Hz Or 60Hz)  
 For 1 Minute  
 Contact Resistance:100 Milliohms Max.  
 Insulation Resistance:100 Megaohms Min.  
 Operation Temperature Range:-25°C~+70°C  
 Operating Force:130g  
 RoHS Compliant



No.	Description	Material	Q'ty	Remark
①	Cover	Stainless Steel	1	
②	Stem	PA9T,UL94V-0	1	Black
③	Contact	Stainless Steel	1	Silver Plated
④	Terminal	Brass	1	Silver Plated
⑤	Base	PA20%,UL94V-0	1	Black

**4UCON** 元化興業股份有限公司  
4UCON TECHNOLOGY INC.

DRAWING No.		APPROVED BY		UNLESS OTHERWISE SPECIFIED TOLERANCES ARE X. ±0.20 .X ±0.20 .XX ±0.20
20571		MEI		
		CHECKED BY		
		HZF		
		DRAWING BY		
		HAO		
SCALE	NONE	REV.	A0	UNIT
				mm

NO.	REV.	REVISIONS	CHK	DATE
△ A0		NEW RELEASE	HZF	03/24/2014