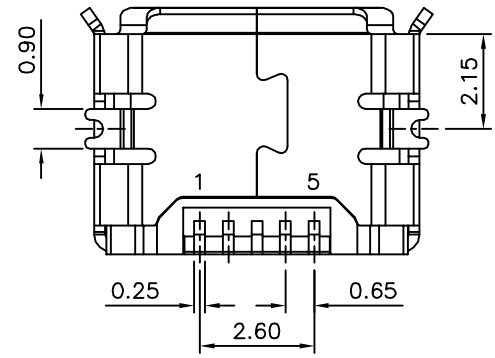
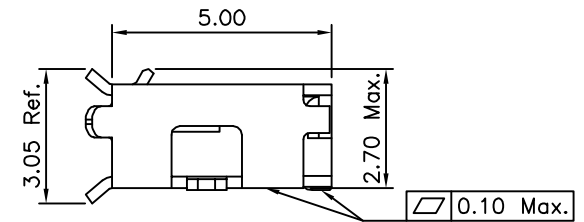
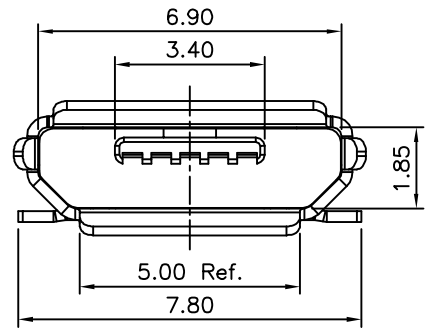


Recommended P.C.B. Layout (Top View)  
(General Tolerance ±0.05)



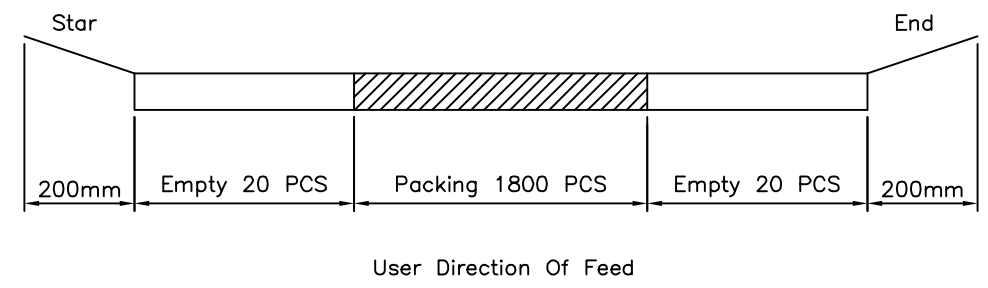
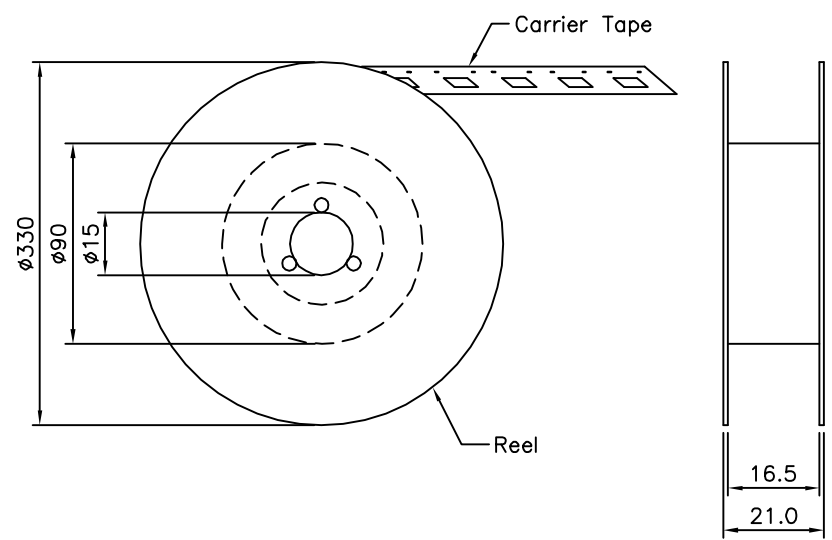
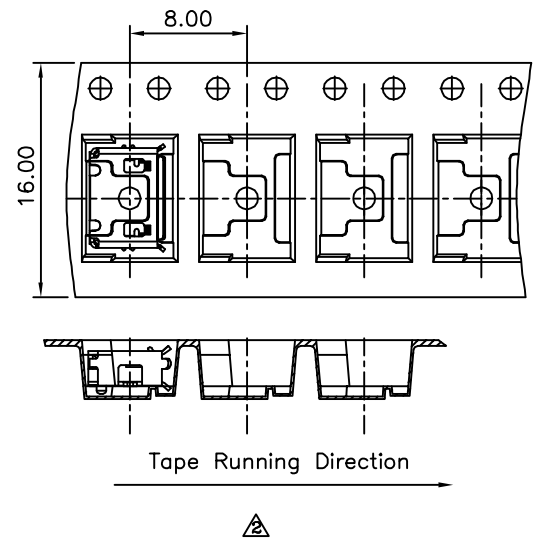
**SPECIFICATION**  
 Current Rating: 1.0A Max.  
 Voltage Rating: 30V Max.  
 Withstanding Voltage: 100V AC  
 Contact Resistance: 30 Milliohms Max.  
 40 Milliohms Max. After 10000 Cycles  
 Insulation Resistance: 100 Megaohms Min.  
 Temperature Range: -30°C ~ +80°C  
 Mating Force: 35N Max.  
 Withdrawal Force: 10N Min.  
 Durability: 10000 Cycles Min.  
 8~20N After 10000 Cycles

△ Contact: Brass  
 Insulator: LCP+30%G.F.(UL94V-0), Black  
 Shell: SUS301, Nickel Plated Over All  
 RoHS Compliant

**4UCON** 元化興業股份有限公司  
 4UCON TECHNOLOGY INC.

DRAWING No.		APPROVED BY		UNLESS OTHERWISE SPECIFIED TOLERANCES ARE .X ±0.38 .X* ±2* .XX ±0.25 .XX* ±1* .XXX ±0.13 .XXX* ±0.5	△ A4	Modify Data	HZF	02/23/2012
18575		MEI			△ A3	Modify Data	HZF	05/16/2011
		CHECKED BY			△ A2	Modify Data	HZF	02/17/2011
		HZF		△ A1	Modify Data	HZF	01/27/2011	
		DRAWING BY		△ A0	NEW RELEASE	HZF	07/24/2010	
		WSS		NO. REV.	REVISIONS	CHK	DATE	
SCALE	NONE	REV.	A4	UNIT	mm			

**SPECIFICATION**  
 Reel:  $\phi 330 \times 21$  mm  
 Q'ty: 1800 PCS/Reel  
 RoHS Compliant



**4UCON** 元化興業股份有限公司  
 4UCON TECHNOLOGY INC.

DRAWING No.		APPROVED BY		UNLESS OTHERWISE SPECIFIED TOLERANCES ARE .X $\pm 0.38$ .XX $\pm 0.25$
18575		MEI		
		HZF		
SCALE	NONE	REV.	A4	UNIT mm

$\triangle$ A4	Modify Data	HZF	02/23/2012
$\triangle$ A3	Modify Data	HZF	05/16/2011
$\triangle$ A2	Modify Data	HZF	02/17/2011
$\triangle$ A1	Modify Data	HZF	01/27/2011
$\triangle$ A0	NEW RELEASE	HZF	07/24/2010
NO. REV.	REVISIONS	CHK	DATE