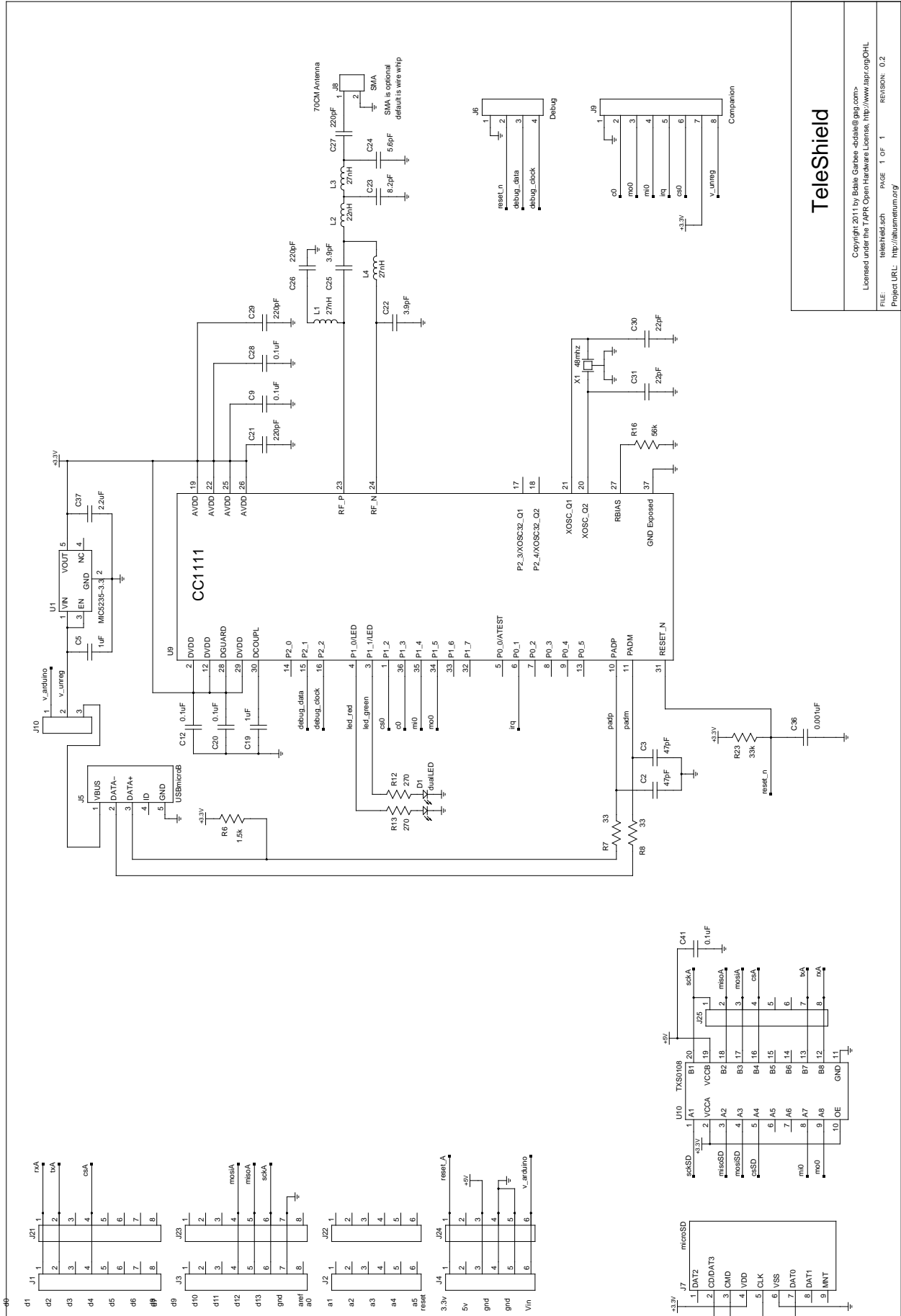


ARDUINO



Teleshield

Copyright 2011 by Babla Garbea -baba@egp.com->
Licensed under the TAPR Open Hardware License, <http://www.tapro.org/OHL>

FILE: teleshield.sch PAGE 1 OF 1 REVISION: 0.2
Project URL: <http://atiumnumerology>