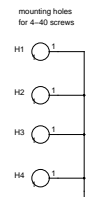
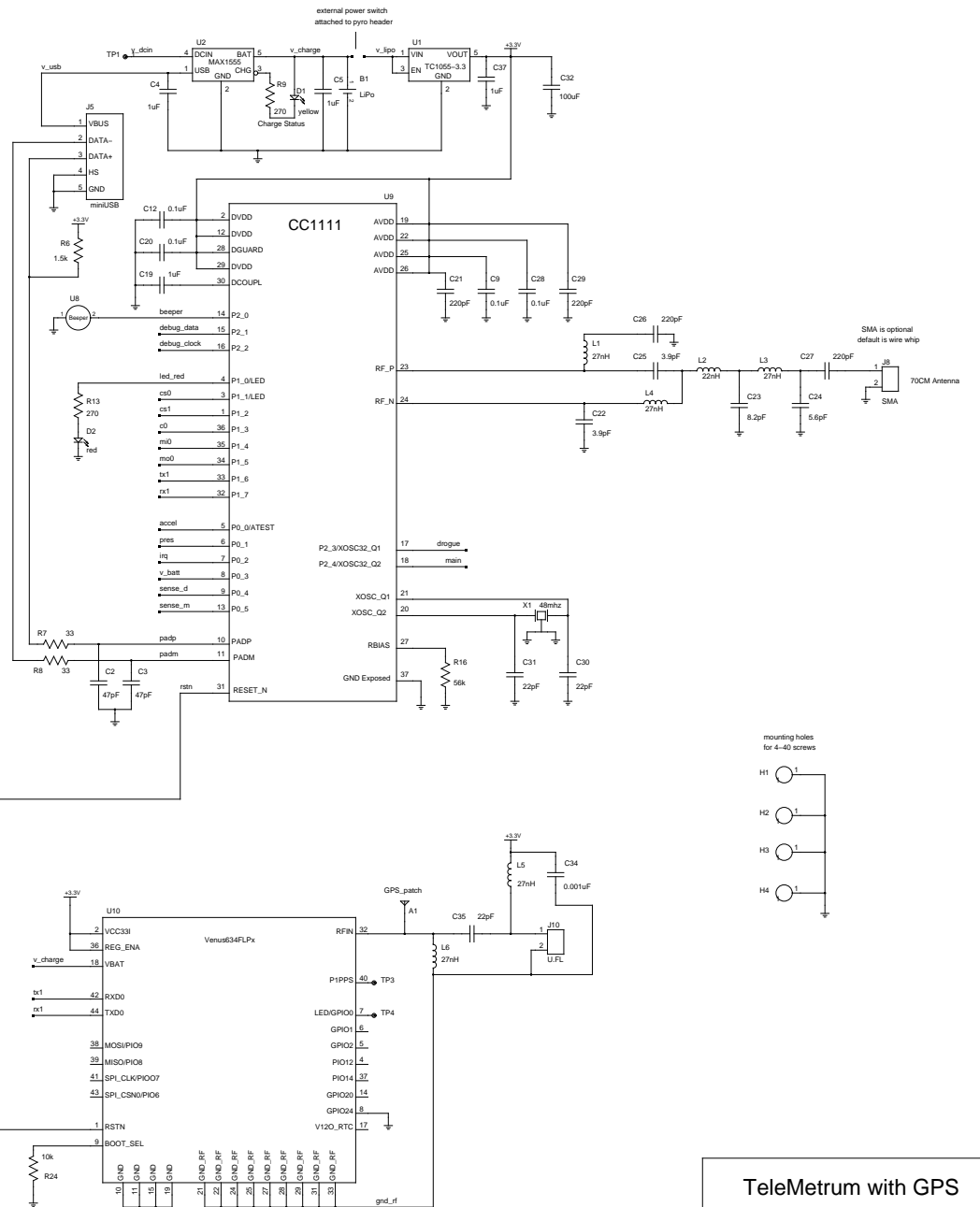
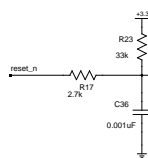
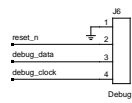
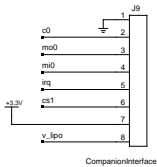
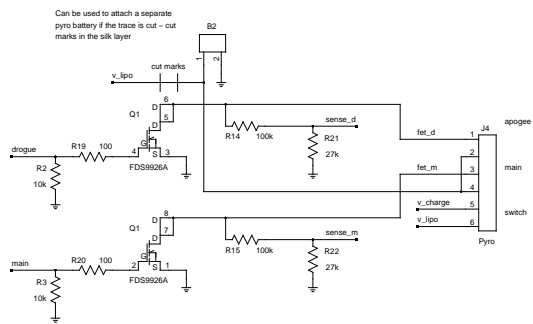
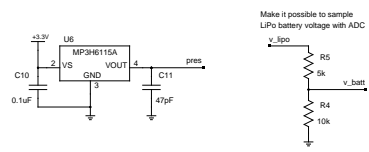


MMA2201 is 40G (tested)
 MMA2202 is 50G (default)
 MMA2204 is 100G (tested)
 MMA2301 is 200G

Accelerometer runs on 5V, divider to match ADC range.



As of SkyTraq version 0.3, pin 19 is attached to system GND