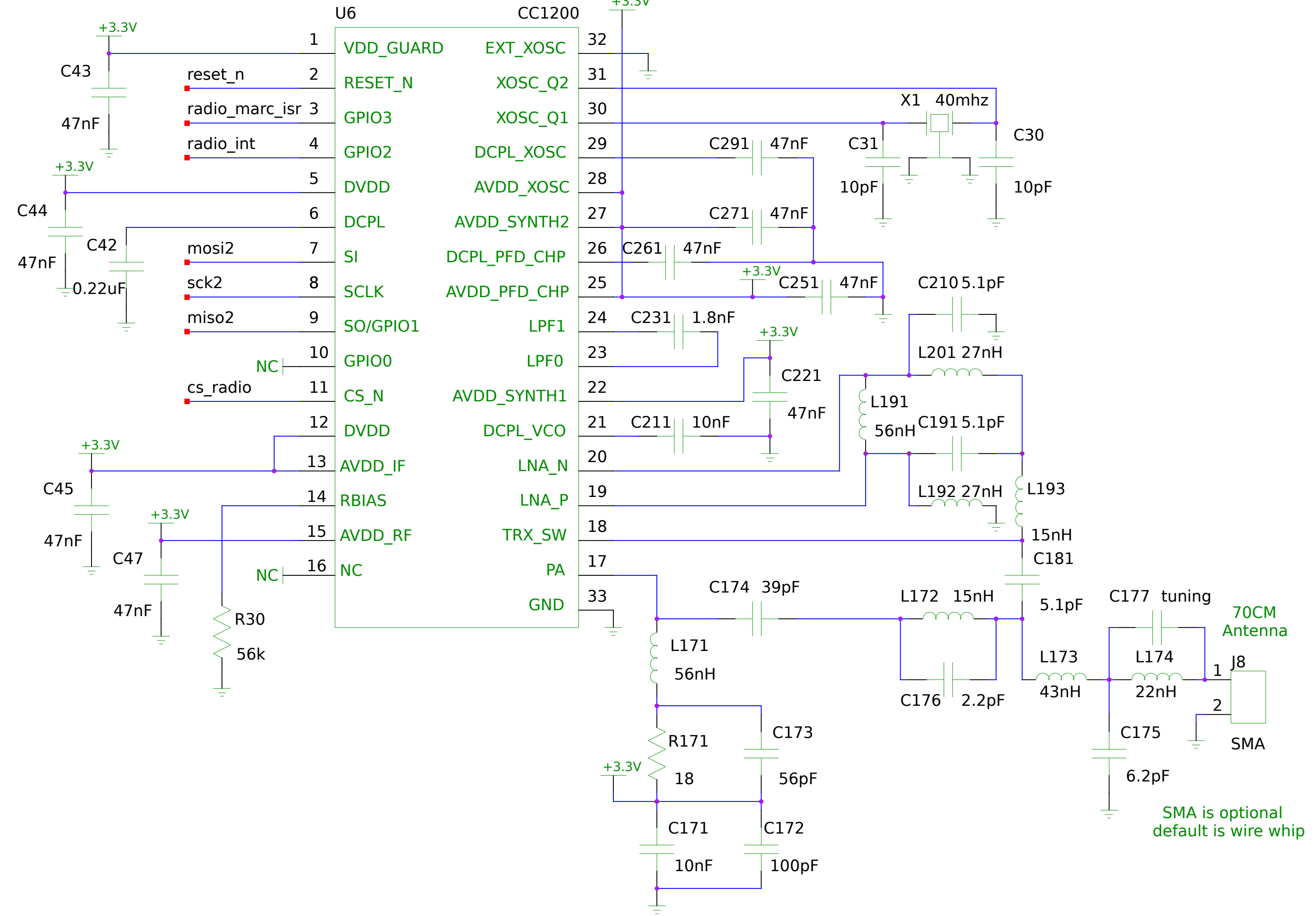
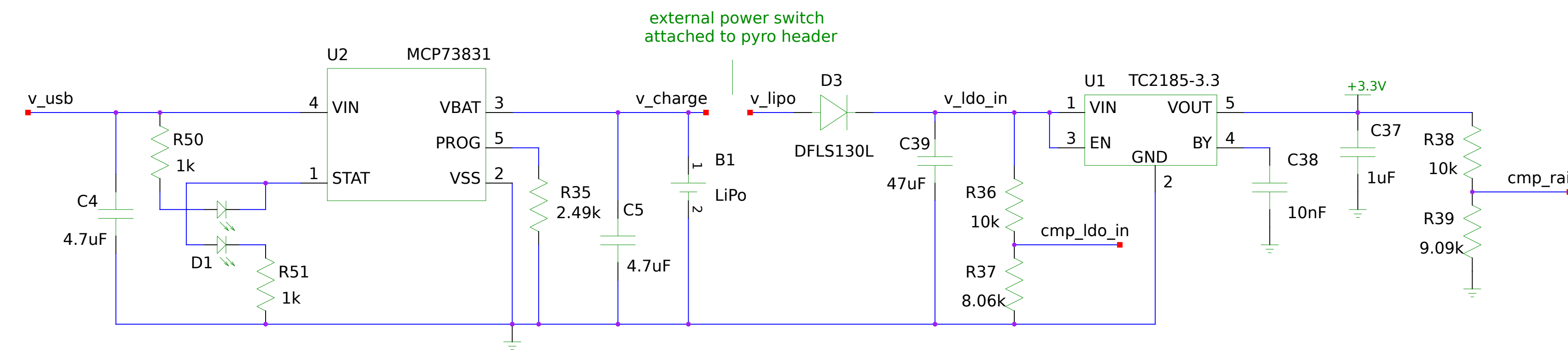
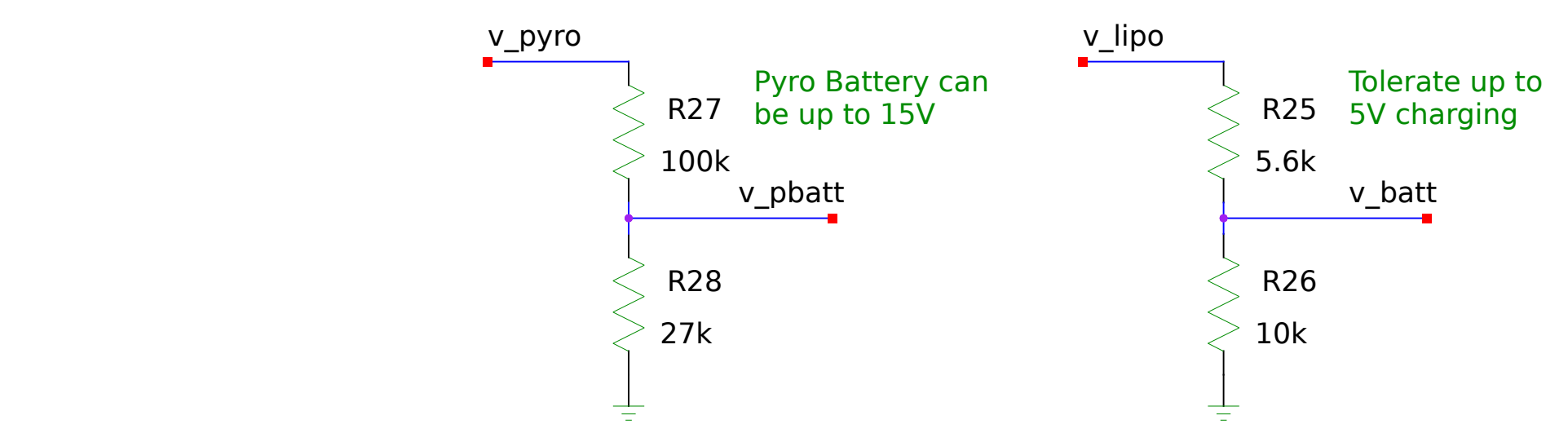
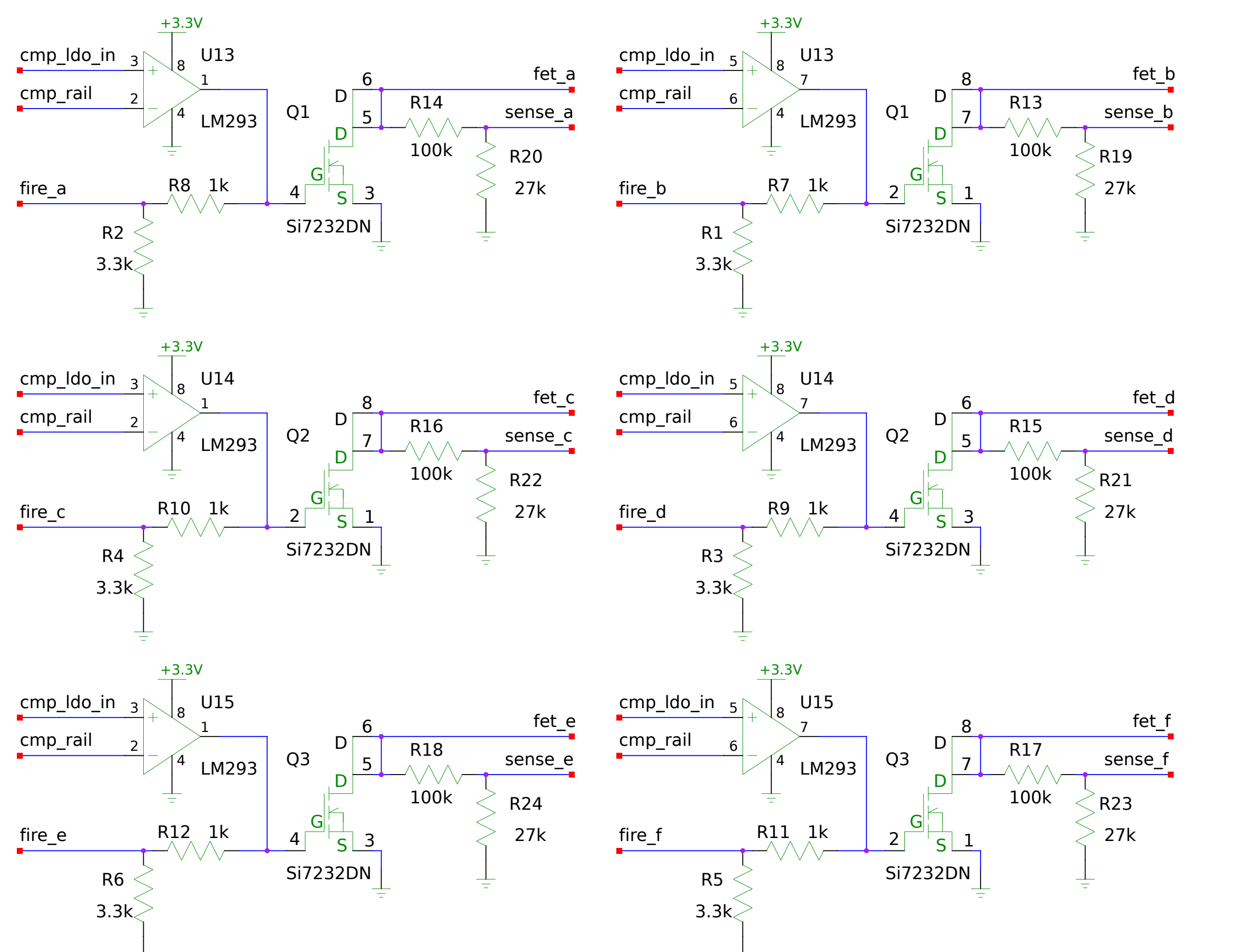
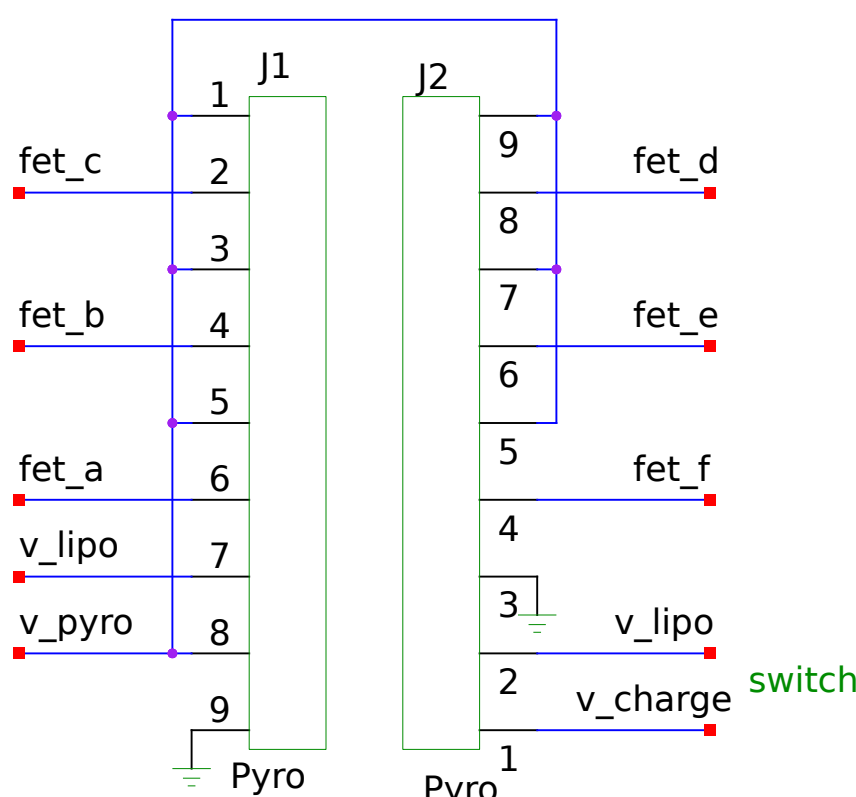


STM32L151

don't drive reset_gps high!
 mcp130t is open drain with 5k internal pull-up
 do we really want 3.3k pull-up here? unclear!
 don't use reset_n at all!

v_charge can be 4.2 volts
 v_bckp must be 1.4 - 3.6 volts
 i_bckp on the order of 15uA
 We could use up to 80k here, but 56k should drop 0.84 volts, which is sufficient.

mounting holes for 4-40 screws



TeleMega