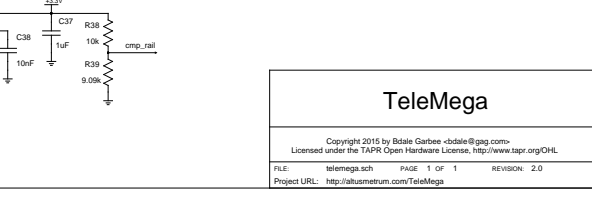
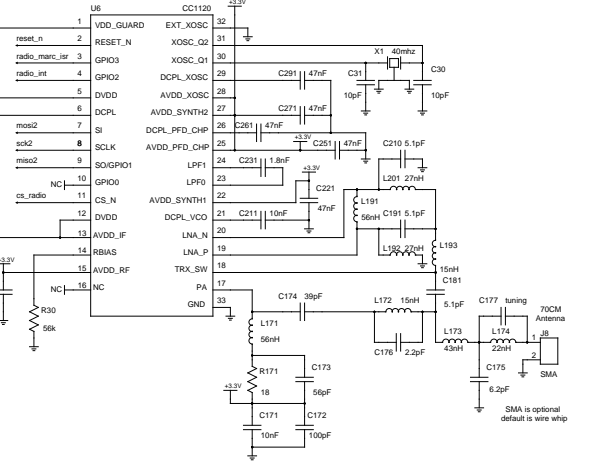
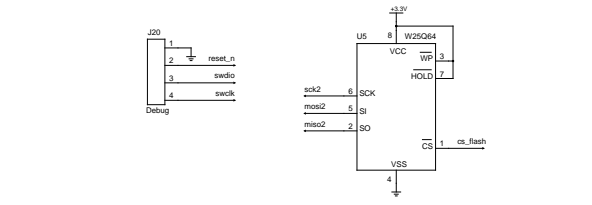
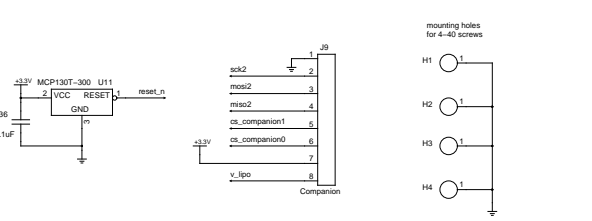
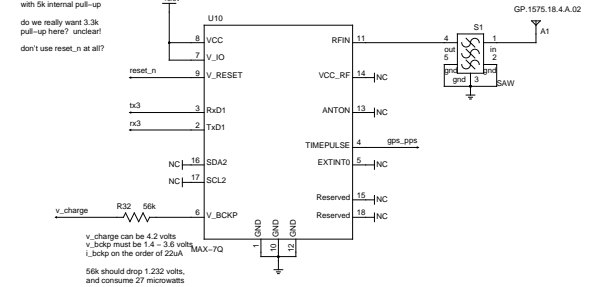


don't drive reset_gpios high!
 mcp1301 is open drain with 5k internal pull-up
 do we really want 3.3k pull-up here? unclear!
 don't use reset_n at all!



STM32L151VB7

TeleMega