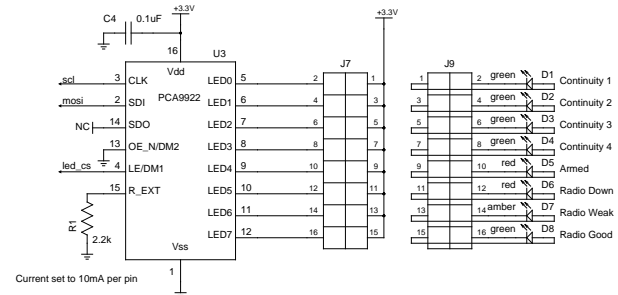
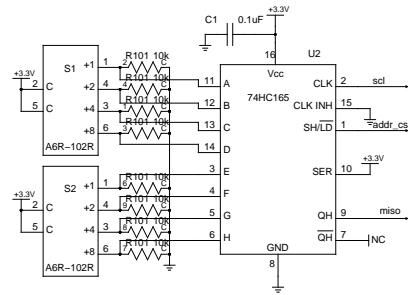
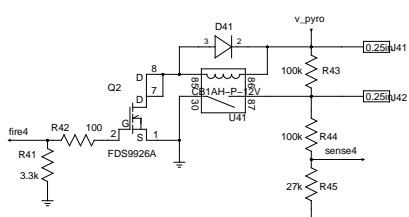
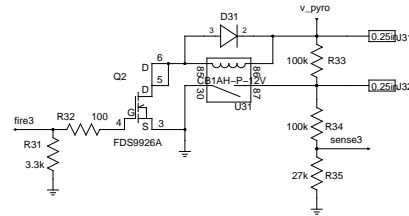
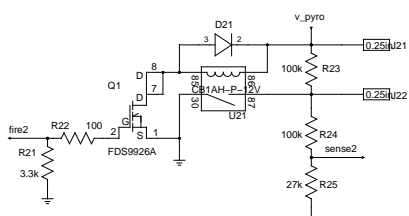
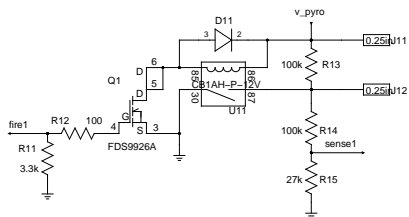
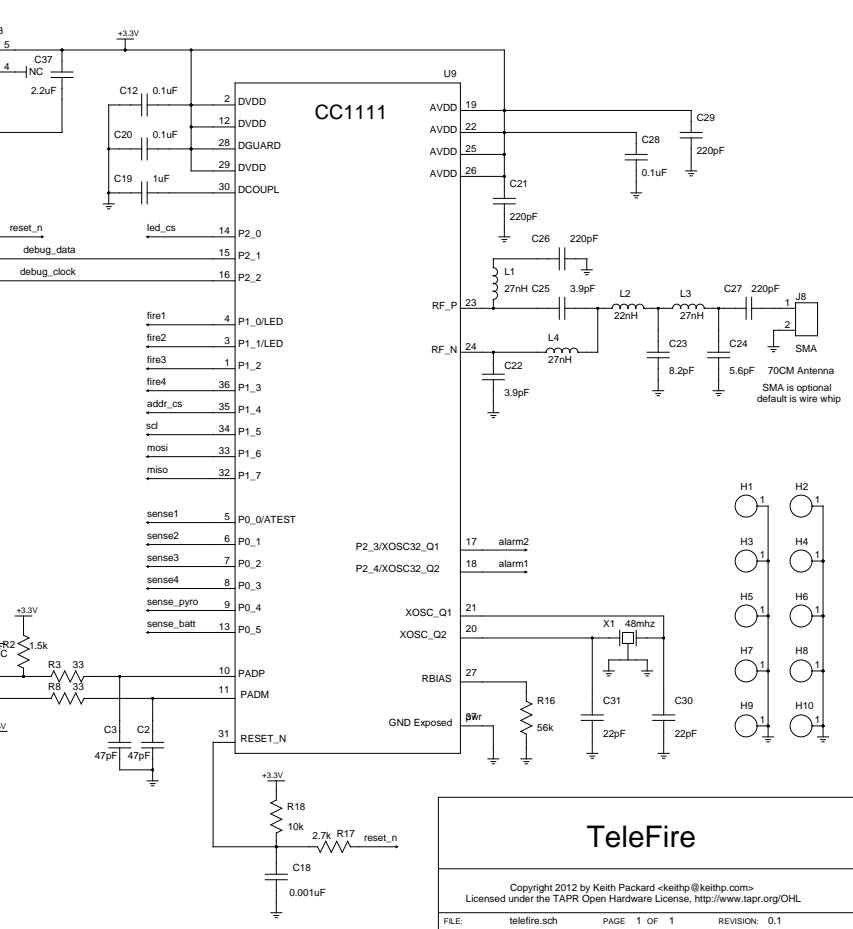
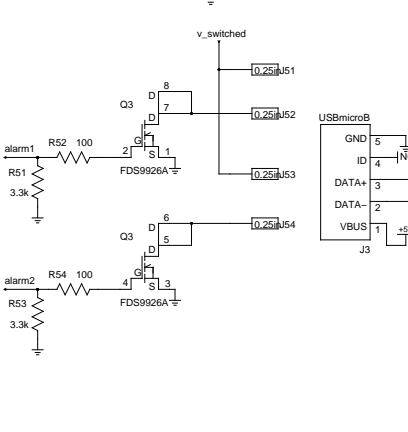
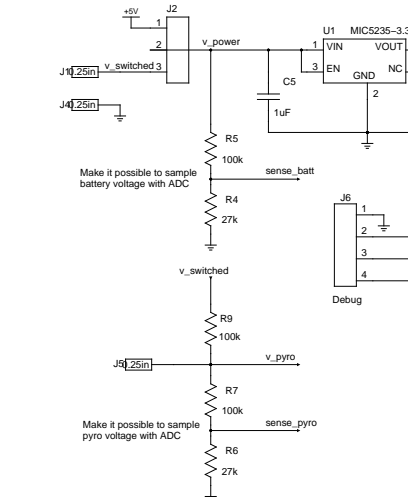


Expected sense voltages:

No igniter, relay open: pyro * 27/227 (1.43V)
 Good igniter, relay open: pyro * 27/127 (2.55V)
 No igniter, relay closed: 0



Current set to 10mA per pin



TeleFire