

C04-6H

Reference Design

GPS smart antenna LEA-6H

Highlights

- Reference design with LEA-6 GPS receiver
- Simplifies developing customer end-products
- Enables faster time-to-market

Features

- LEA-6 GPS receiver
- GPS patch antenna
- LNA and SAW filter for best RF performance

GPS receiver performance

Please refer to the documentation for LEA-6.

Characteristics

Power supply	3.5 V – 6.0 V
Backup power	On-board lithium battery, 5.0 mAh
Antenna	25 x 25 mm patch antenna
Operating temp.	–20°C to 60°C
Dimensions	37 x 37 x 9.0 mm
Connector	SMT-pads for 10 pin header Pitch: 2.54 mm
Serial ports	1 UART @ 3 V levels 1 USB

Pin assignment

1 TxD1	6 V_BAT
2 RxD1	7 V_IN (3.5 V – 5.5 V) ¹
3 V_IN (3.5 – 5.5 V) ¹	8 USB_DM (Data –)
4 GND	9 USB_DP (Data +)
5 GND	10 GND

¹ Pin 3 is internally connected with pin 7

Ordering information

C04-6H-0	C04-6H GPS smart antenna LEA-6H Reference Design
----------	---

Sold in sample quantities only.

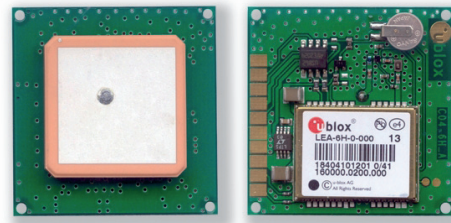
Legal Notice

u-blox reserves all rights to this document and the information contained herein. Products, names, logos and designs described herein may in whole or in part be subject to intellectual property rights. Reproduction, use, modification or disclosure to third parties of this document or any part thereof without the express permission of u-blox is strictly prohibited.

The information contained herein is provided "as is". No warranty of any kind, either express or implied, is made in relation to the accuracy, reliability, fitness for a particular purpose or content of this document. This document may be revised by u-blox at any time. For most recent documents, please visit www.u-blox.com.

Copyright © 2010, u-blox AG

GPS.G6-CS-10000

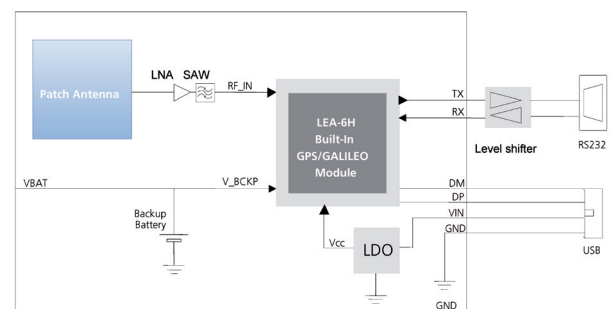


Product description

The C04-6H GPS Smart Antenna design demonstrates the integration of a LEA-6H GPS module with a ceramic patch antenna, USB and UART interfaces and on-board backup battery. The high performance u-blox6 GPS engine provides –162 dBm tracking sensitivity and enables navigation even in weak signal environments. An LNA and a SAW filter are included for best RF performance.

Reference Designs are intended as a means to help system integrators to develop their own GPS-enabled end products. On request, u-blox provides comprehensive technical documentation including schematics, layouts and design recommendations. Reference Designs are sold in sample quantities only. u-blox assumes no design services for this purpose, nor warranties regarding functionality and performance.

Block diagram



Contact us

HQ Switzerland
+41 44 722 7444
info@u-blox.com

EMEA
+41 44 722 7477
info@u-blox.com

Americas
+1 703 483 3180
info_us@u-blox.com

APAC – Singapore
+65 6734 3811
info_ap@u-blox.com

China
+86 10 68 133 545
info_cn@u-blox.com

Japan
+81 3 5775 3850
info_jp@u-blox.com

Korea
+82 2 542 0861
info_kr@u-blox.com

Taiwan
+886 2 2657 1090
info_tw@u-blox.com