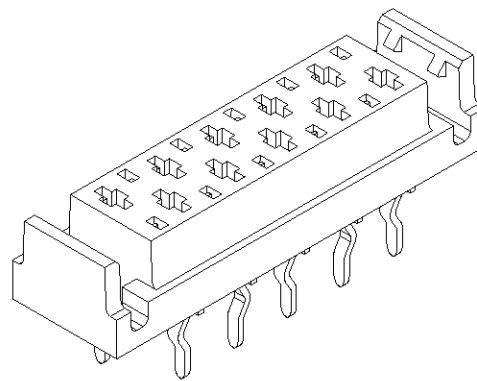
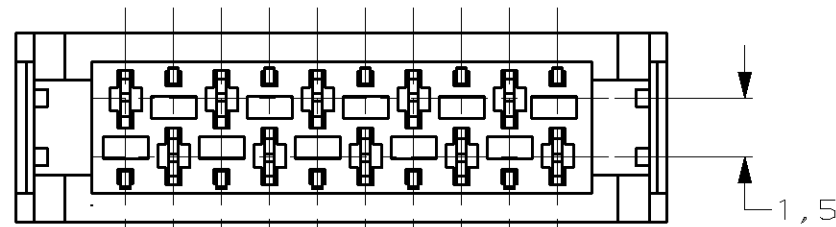
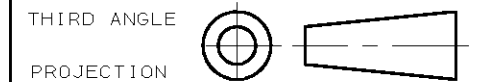


NOTES:

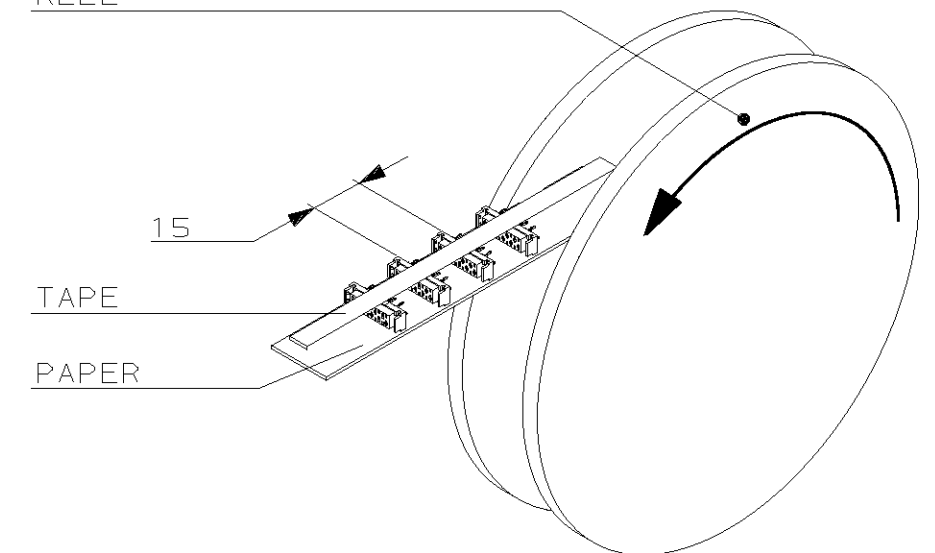
- 1 DIRECTION OF KINK OPTIONAL.
- 2 PRODUCT SPECIFICATION: 108-19052

DO NOT SCALE
DIMENSIONS IN mm

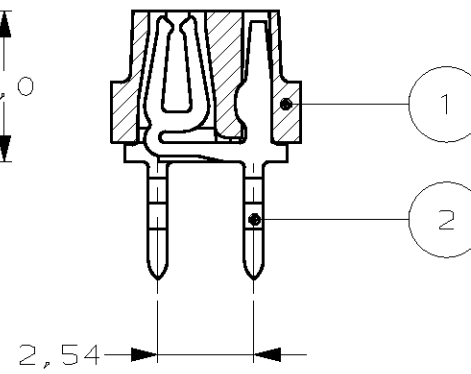
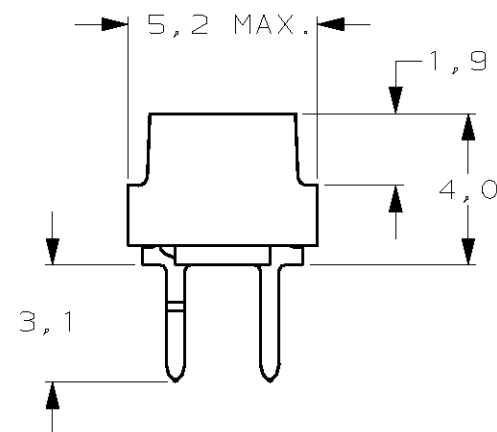
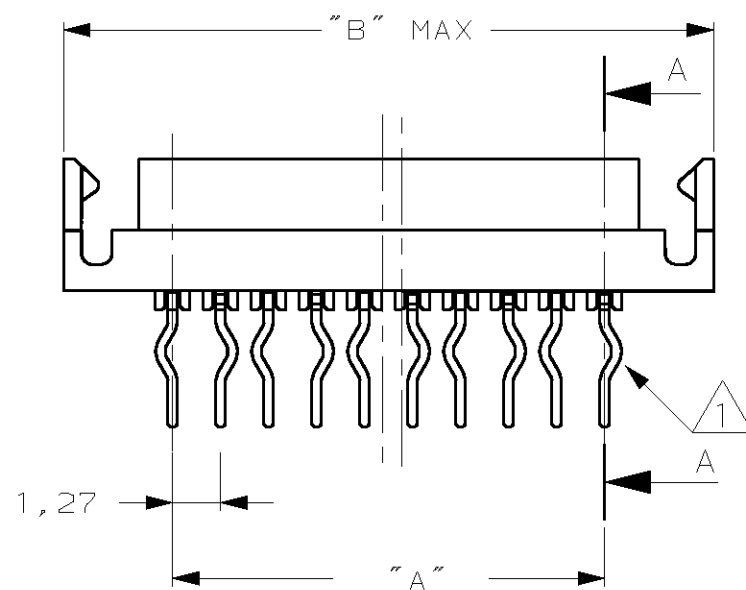
METRIC



DEREELING DIRECTION AND POSITION OF CONNECTORS
REEL

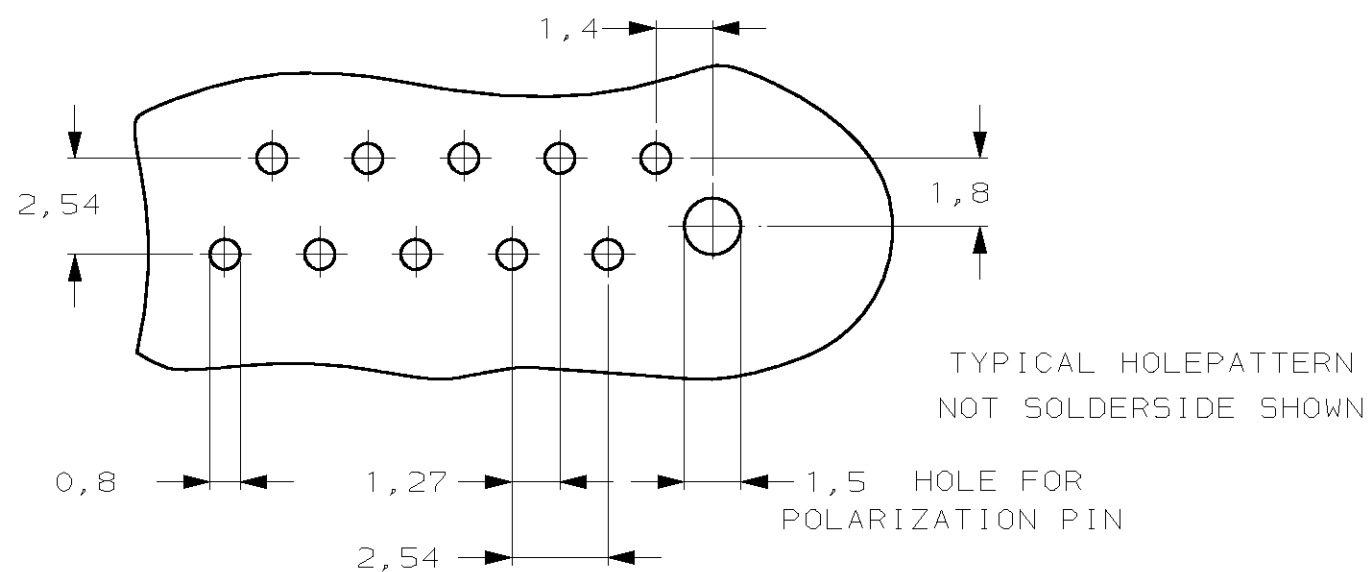


2500 CONNECTORS PER REEL FOR ALL PARTNUMBERS



SECTION A-A

PARTNUMBER REEL PACKAGING	NUMBER OF POSITIONS	"A"	"B" MAX
0-338068-4	4	3,81	9,7
0-338068-6	6	6,35	12,2
0-338068-8	8	8,89	14,7
1-338068-0	10	11,43	17,3
1-338068-2	12	13,97	19,8
1-338068-4	14	16,51	22,4
1-338068-6	16	19,05	24,9
1-338068-8	18	21,59	27,4
2-338068-0	20	24,13	30,0



TIN OVER NICKEL PLATING.	PHOSPHORBRONZE	FEMALE CONTACT	2
	GLASS FILLED POLYESTER (RED)	HOUSING	1
FINISH	MATERIAL	DESCRIPTION	ITEM

CUSTOMER DRAWING FOR REFERENCE ONLY WILL NOT BE UPDATED © COPYRIGHT 19- BY AMP HOLLAND B.V. ALL INTERNATIONAL RIGHTS RESERVED. AMP PRODUCTS MAY BE COVERED BY U.S. AND FOREIGN AND/OR PATENTS PENDING. THIS DRAWING IS UNPUBLISHED RELEASED FOR PUBLICATION, 19			
D	EH01-0232-04	JvdH	EL 16 FEB 04
C	EH01-0289-02	RvH	H5 05 JUN 02
B	EH-1337-97	D.K.	MvD 22 JUL 97
A	EH-0798-97	D.K.	HvD 22 JUL 97
0	-	D.K.	HvD 03 JUN 96
LTR.	REVISION RECORD	DR.	CHK. DATE

DR.: D. KESSLER	CHK.: H.v. DELFT	APP.: E. LEIJTENS	DWG.No. C-338068	REV.LTR. D	SHEET 1 OF 1	A3
DATE: 03 JUN 96	DATE: 13 JUN 96	DATE: -				