

VOLTAGE REGULATOR

Generated voltage:
3.3 V for CC2540

SoC peripherals

- USB Connector
- Buttons
- LEDs
- SMD sockets

RESET_N

P0_0

P0_2

P0_3

P0_4

P0_5

P1_0/LED

P1_1/LED

P1_2

P1_3

P1_4

P1_5

P1_6

P1_7

P2_1

P2_2

PA_DM

PA_DP

RF-SoC PART

Including PCB antenna

RESET_N

P0_0

P0_2

P0_3

P0_4

P0_5

P1_0/LED

P1_1/LED

P1_2

P1_3

P1_4

P1_5

P1_6

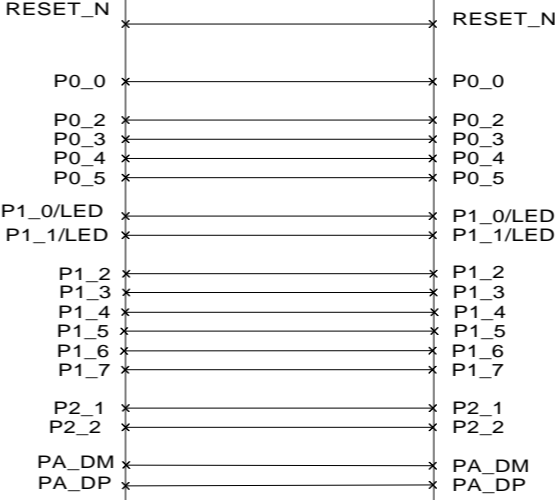
P1_7

P2_1

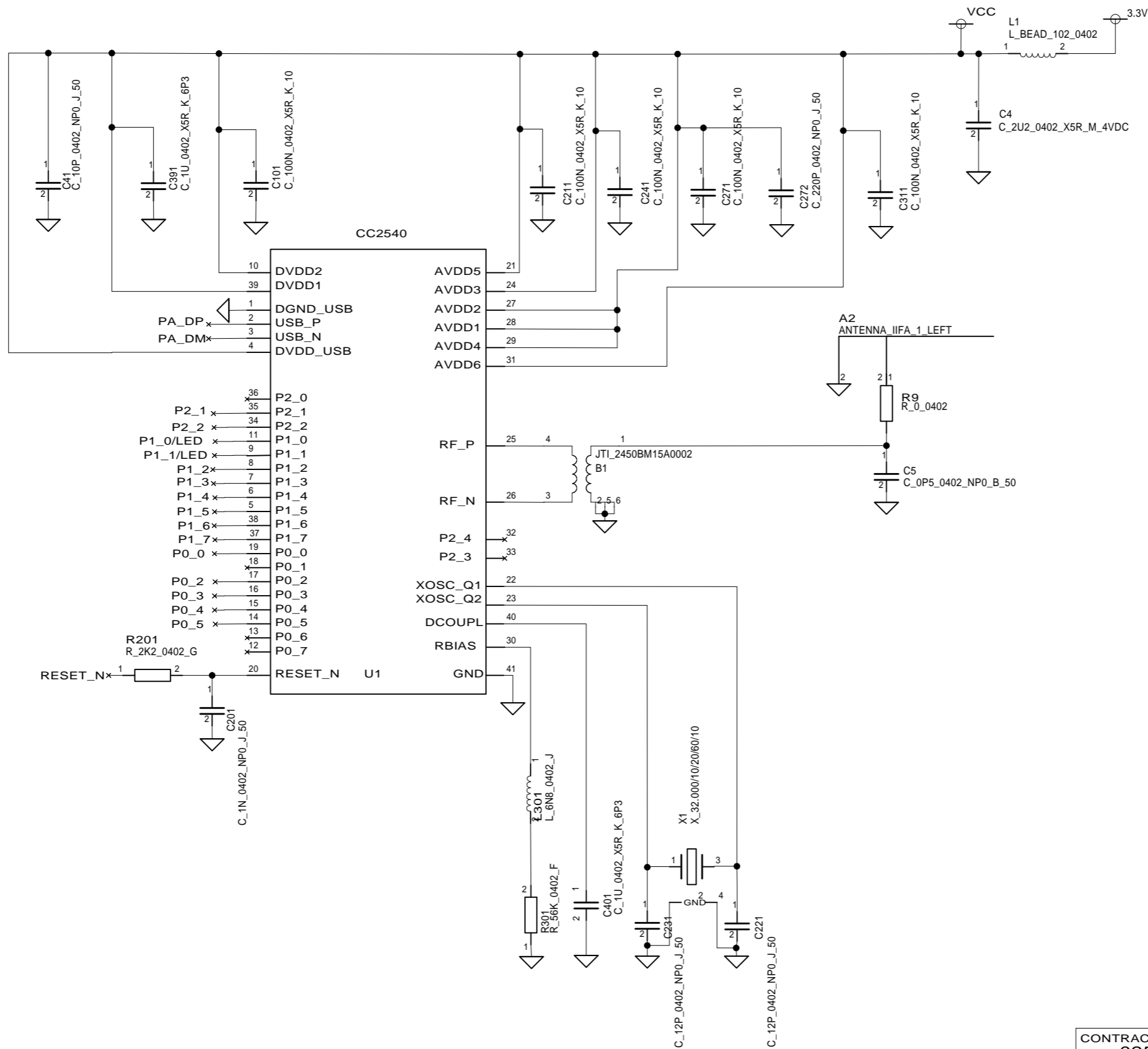
P2_2

PA_DM

PA_DP

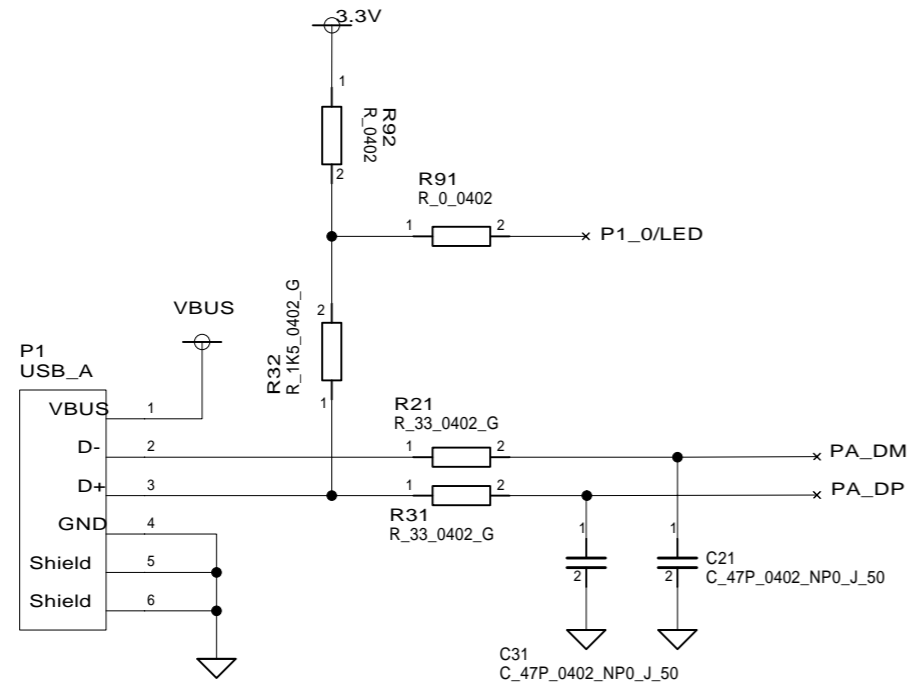


CONTRACT NO. 025104		COMPANY NAME Texas Instruments			
APPROVALS	DATE	DWG CC2540 USB dongle			
DRAWN	TIK	SIZE	FSCM NO.	DWG NO.	REV.
CHECKED	AAC	A4			1.0
ISSUED		SCALE		SHEET 1(4)	

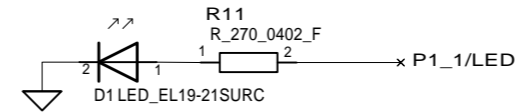


CONTRACT NO. 025104		COMPANY NAME Texas Instruments			
APPROVALS	DATE	DWG CC2540 USB DONGLE RF-PART			
DRAWN	TIK	SIZE	FSCM NO.	DWG NO.	REV.
CHECKED	AAC	A4			1.0
ISSUED		SCALE			SHEET 3(4)

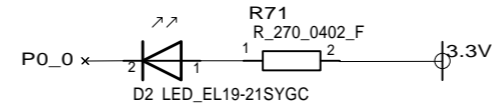
USB Interface



LED_Red



LED_Green



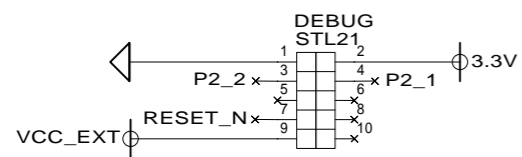
button_P_1_2



button_P_1_3



SoC debug/flash

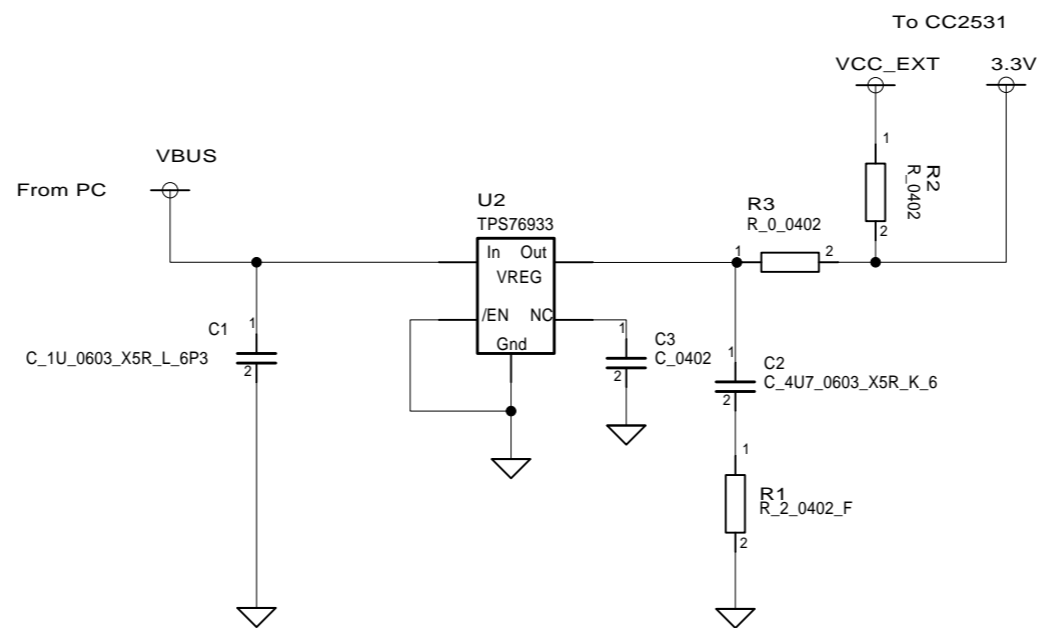


Additional testpins

- IO
BL_31_008U_NO_SILK
- >8 x P1_4
 - >7 x P1_5
 - >6 x P1_6
 - >5 x P1_7
 - >4 x P0_5
 - >3 x P0_4
 - >2 x P0_3
 - >1 x P0_2

Not mount: R92, IO

CONTRACT NO. 025104		COMPANY NAME Texas Instruments			
APPROVALS	DATE	DWG CC2540 USB dongle USB circuitry			
DRAWN	TIK	SIZE	FSCM NO.	DWG NO.	REV. 1.0
CHECKED	AAC	A4			
ISSUED		SCALE			SHEET 4(4)



Not mount: C3, R2

CONTRACT NO. 025104		COMPANY NAME Texas Instruments			
APPROVALS	DATE	DWG CC2540 USB DONGLE VOLTAGE REGULATOR			
DRAWN	TIK	SIZE	FSCM NO.	DWG NO.	REV.
CHECKED	AAC	A4			1.0
ISSUED		SCALE		SHEET 2(4)	