



Specification

SPECIFICATION

Part No. : **GP.1575.35.3.A.02**

Specification No : **GP.35A**

Product Name : **3.5mm thick GPS Patch Antenna, 1575MHz
(DA1574Q)**

Features : 35mm*35mm*3.5mm
ROHS Compliant

:



REVISION STATUS

Version	Date	Page	Revision Description	Prepared	Approved
01	Jan 03 rd 2007	All	New format	TW Product Centre	Ronan Quinlan



Specification

1.0 Introduction

2.0 Key Antenna Performance Indicators

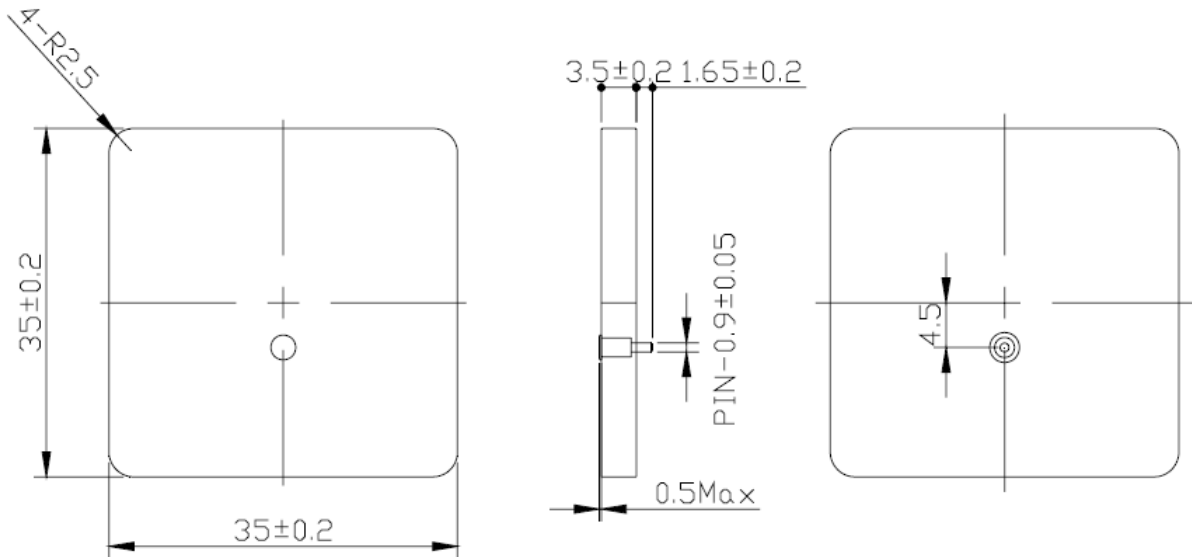
Original Patch Specification tested on 50mm² ground plane

No	Parameter	Specification	Notes
1	Range of Receiving Frequency	1616~1626.5MHz	
2	Center Frequency	1575MHz ± 6MHz	With 50x50mm ground plane
3	Bandwidth	22MHz min	Return Loss ≤-10 dB
4	VSWR	1.5 max	Center Frequency
5	Gain at Zenith	2.0 dBic typ.	
6	Gain at 10°elevation	1.5dBic typ.	
7	Axial Ratio	3 dB max	
8	Polarization	RHCP	
9	Impedance	50 Ohms	
10	Frequency Temperature Coefficient (T_f)	0 ± 20ppm / °C	-40°C to +85°C
11	Operating Temperature	-40°C to +85°C	

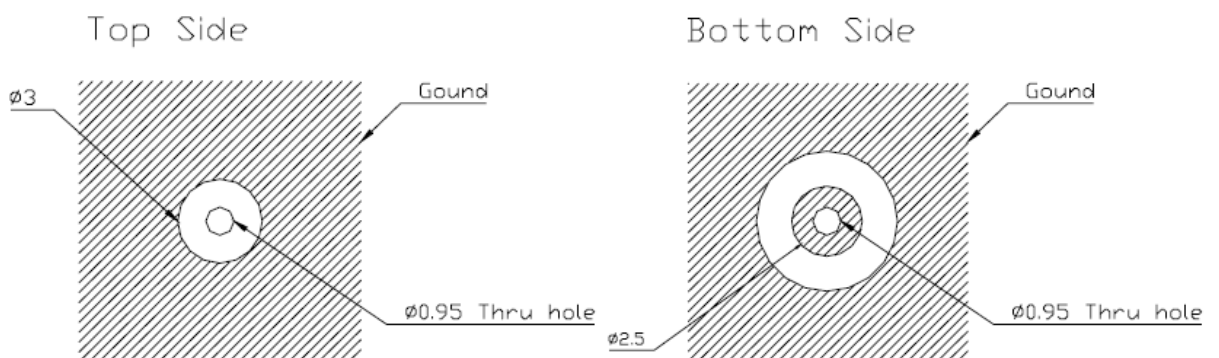


3.0 Mechanical Specifications

3.1 Shape and Dimension



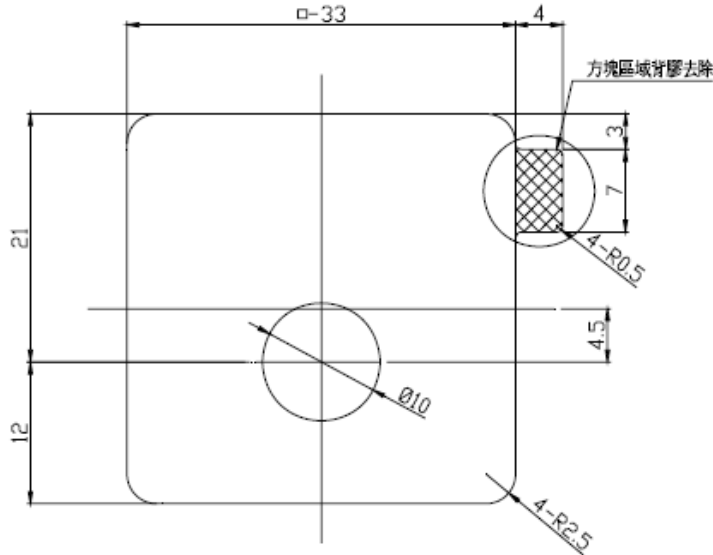
3.2 Layout



TOL: ± 0.20
UNIT: mm

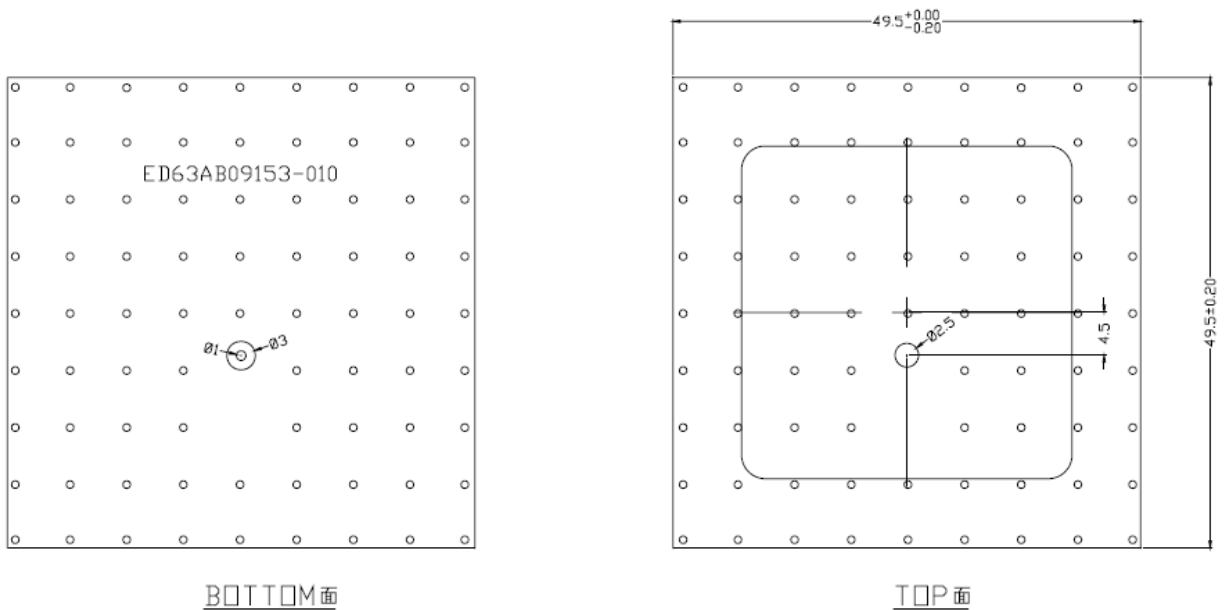


3.3 Tape Dimension



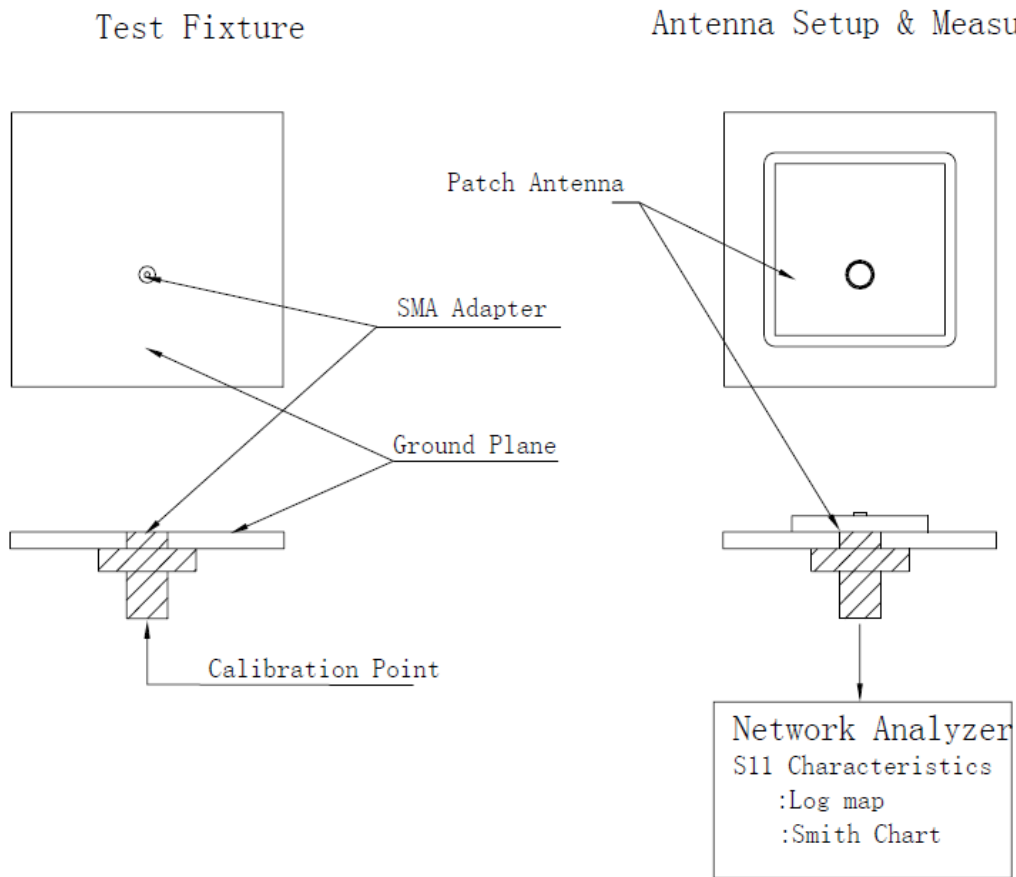
- 備註: 1.NITTO :NO.5015
2.Double-coated adhesive tape for industrial use
3.Thickness :0.12mm

3.4 Test Jig and Dimension



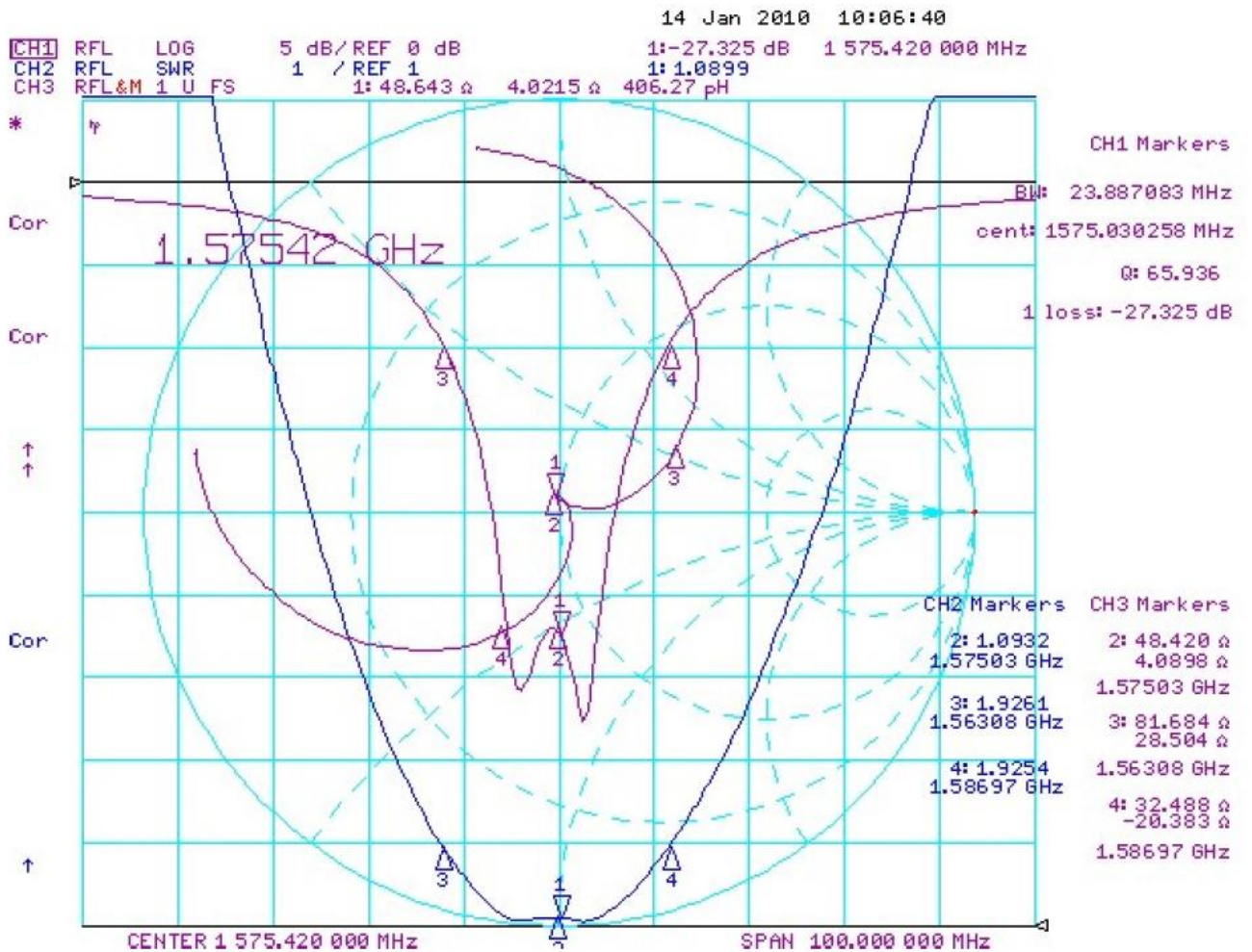


3.5 Test Fixture Antenna Setup and Measurements



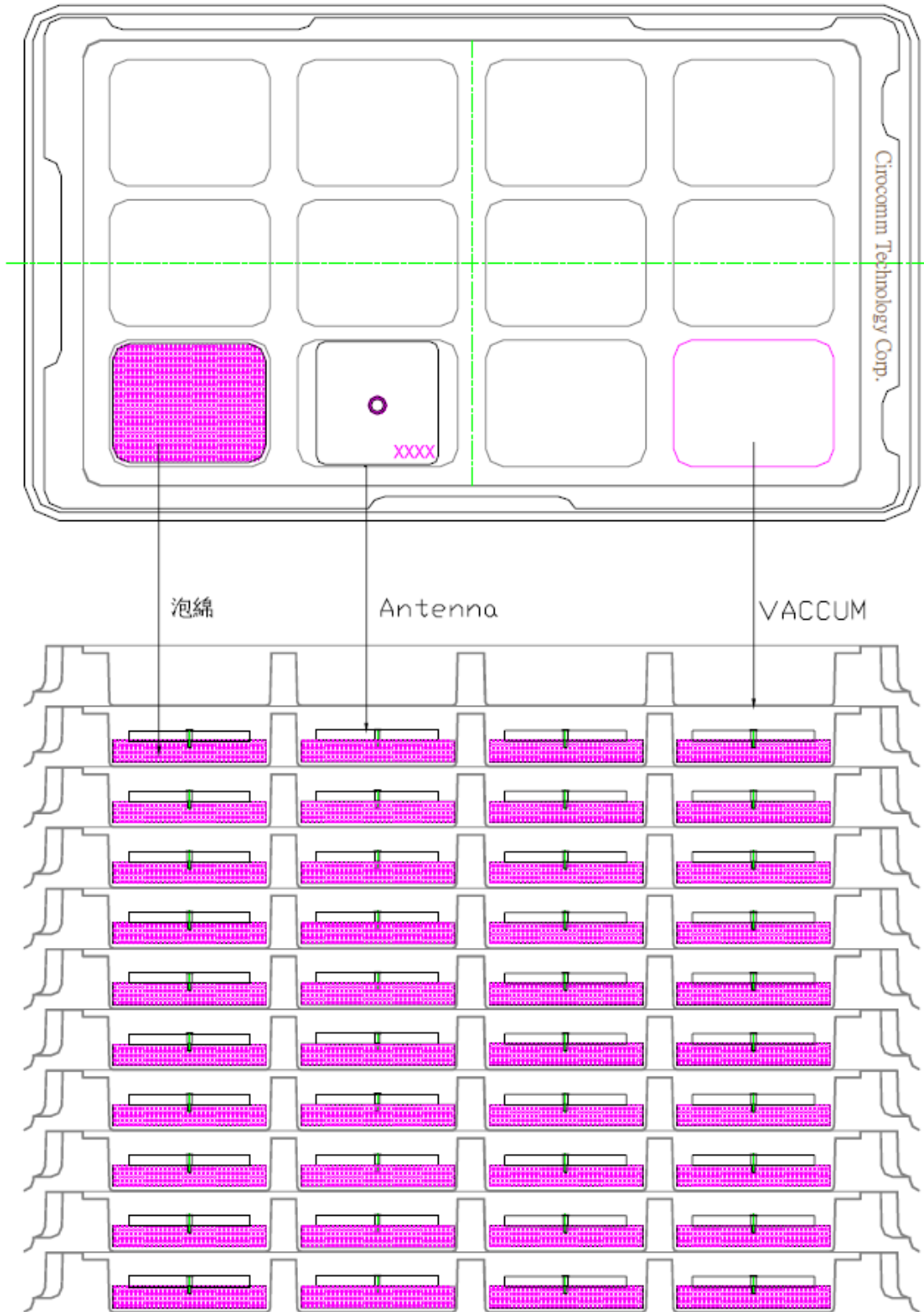


4.0 Performance testing and results





5.0 Packing





Specification

