

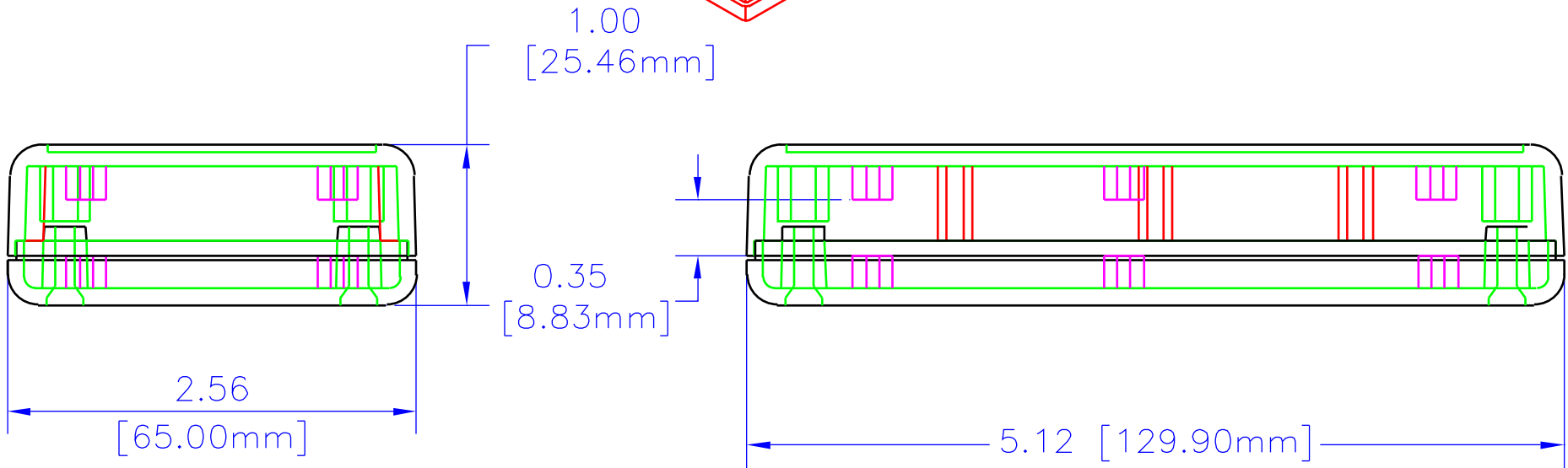
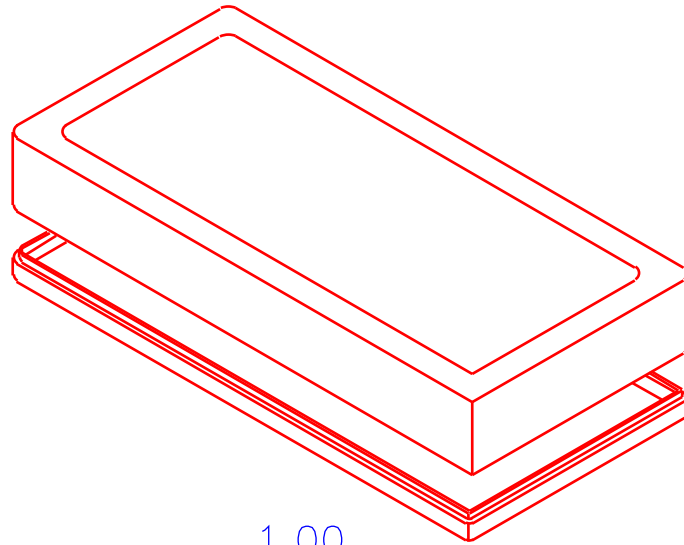
REV	DESCRIPTION	DATE

NOTES

MATERIAL (ABS) FLAME RETARDANT UL94 VO MATERIAL WITH BRASS INSERTS IN CORNER POSTS,
(STYRENE) IS NON-FLAME RETARDANT WITHOUT BRASS INSERTS.

PARTS (ABS) VERSION MACHINE SCREWS M3-0,5 x 28mm,
REPLACEMENT PN 1599HMS100 (100 / BAG), (STYRENE)
VERSION SELF TAPPING #4 x 1,3125",
REPLACEMENT PN 1599HTS100 (100 / BAG).

COLORS (ABS) BLACK, & GRAY, (STYRENE) GRAY ONLY.



ASSEMBLED

UNLESS OTHERWISE SPECIFIED
DIMENSIONS ARE IN INCHES.
X +/- .1
XX +/- .02
XXX +/- .015
SLITS +/- .005
ANGLES +/- .5 DEG.
INCLUDE:
HAMDONS LEAVES PROPRIETARY RIGHTS TO
THE MATERIAL ON THIS DRAWING. IT IS
INTENDED TO BE USED AS A REFERENCE FOR
ENGINEERING INFORMATION ONLY. THIS
INFORMATION MAY NOT BE USED TO
MANUFACTURE PRODUCTS WITHOUT WRITTEN
PERMISSION FROM HAMMOND MANUFACTURING.

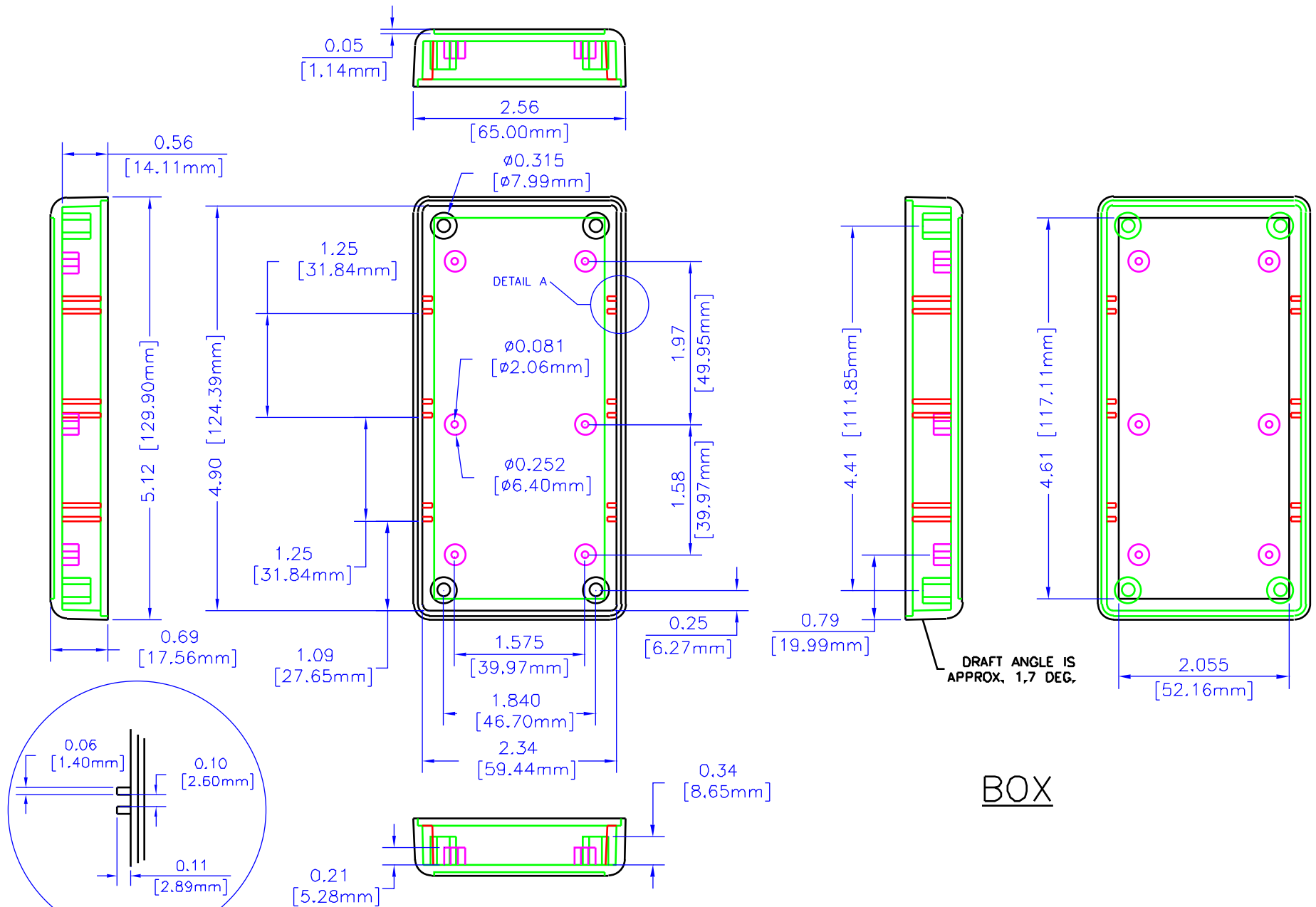


**HAMMOND
MANUFACTURING**

WEB: WWW.HAMMONDMFG.COM

TITLE HAMMOND 1599 SERIES
PLASTIC ENCLOSURE
DRAWN BY MJM DATE 07/30/01
SCALE PAGE 1 OF 3
PART NUMBER 1599B

NOTES



BOX

UNLESS OTHERWISE SPECIFIED
DIMENSIONS ARE IN INCHES.
X +/- .1
XX +/- .02
XXX +/- .015
SLITS +/- .005
ANGLES +/- .5 DEG.
INCLUDE:
HAMMOND MANUFACTURING PROPRIETARY RIGHTS TO THE MATERIAL ON THIS DRAWING IS RESERVED. IT IS INTENDED TO BE USED AS A REFERENCE FOR ENGINEERING INFORMATION ONLY. THE INFORMATION MAY NOT BE USED TO MANUFACTURE PRODUCT WITHOUT WRITTEN PERMISSION FROM HAMMOND MANUFACTURING.

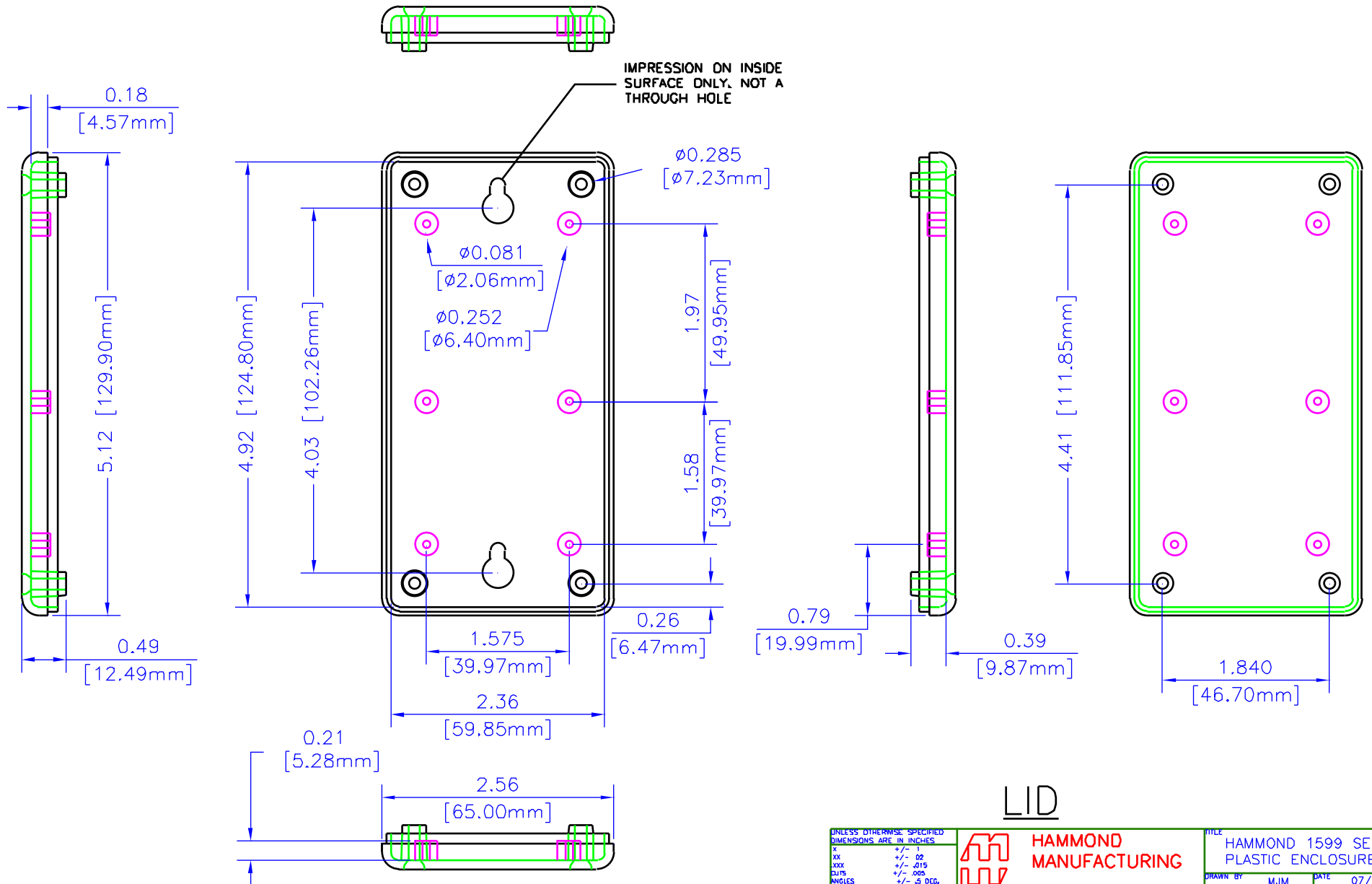


**HAMMOND
MANUFACTURING**

WEB: WWW.HAMMONDMFG.COM

TITLE		HAMMOND 1599 SERIES PLASTIC ENCLOSURE	
DRAWN BY	MJM	DATE	07/30/01
SCALE		PAGE	2 OF 3
PART NUMBER	1599B		

NOTES



LID

UNLESS OTHERWISE SPECIFIED
DIMENSIONS ARE IN INCHES.
X +/- .1
XX +/- .02
XXX +/- .015
SLITS +/- .005
ANGLES +/- .5 DEG.
INCLUDE:
HAMMOND MANUFACTURING PROPRIETARY RIGHTS TO
THE MATERIAL ON THIS DRAWING IS
RESERVED TO BE USED AS A REFERENCE FOR
ENGINEERING INFORMATION ONLY. THE
INFORMATION MAY NOT BE USED TO
MANUFACTURE PRODUCT WITHOUT WRITTEN
PERMISSION FROM HAMMOND MANUFACTURING.



**HAMMOND
MANUFACTURING**

WEB: WWW.HAMMONDMFG.COM

TITLE		HAMMOND 1599 SERIES PLASTIC ENCLOSURE	
DRAWN BY	MJM	DATE	07/30/01
SCALE		PAGE	3 OF 3
PART NUMBER	1599B		