



ALPS Manufacturer of Electronic Components/Parts Catalog

4-direction with Center-push Function Type SKQU Series● **Detail**

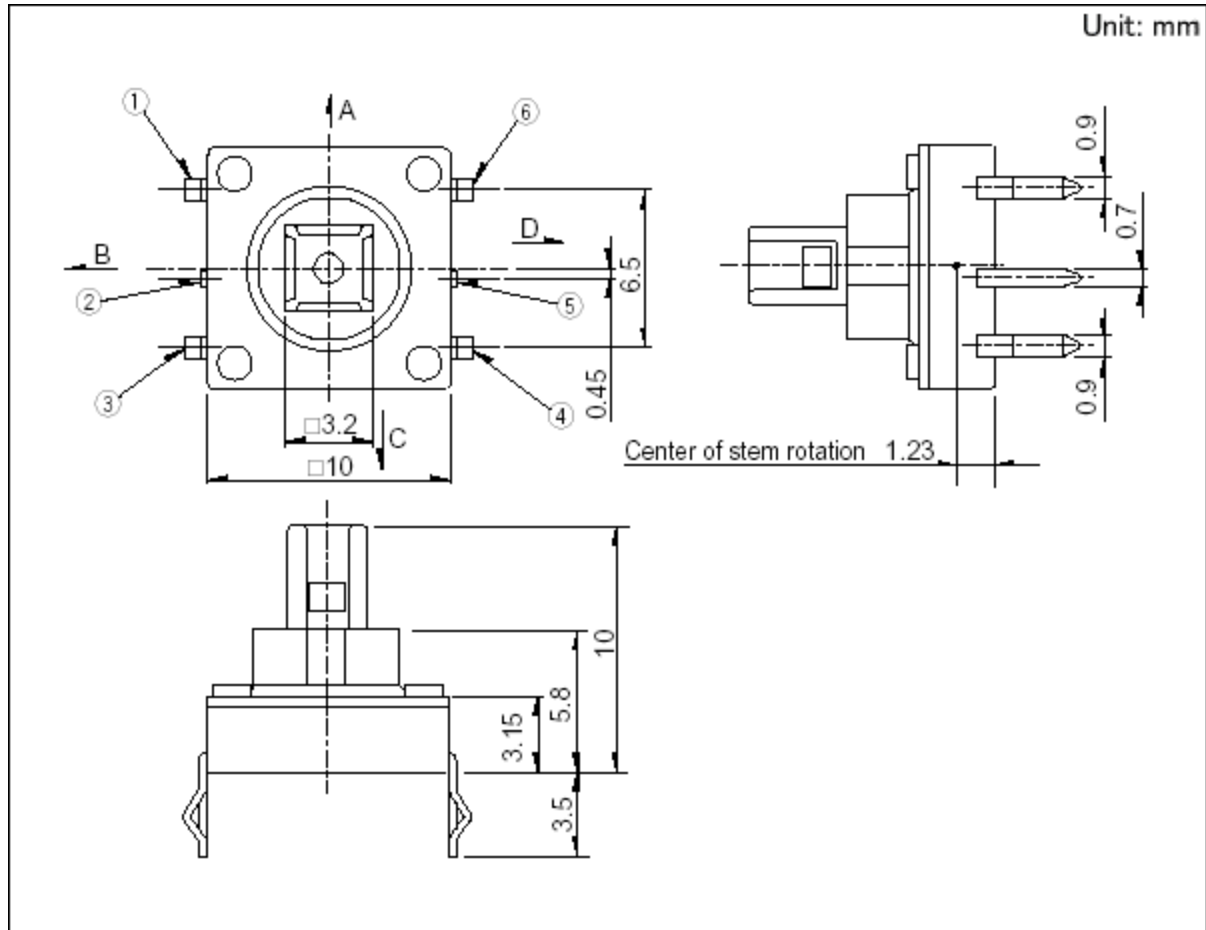
▶ With Center Push Type

Part number		SKQUCAA010	
Type		Snap-in	
Operating force	4-direction	1.57N	
	Center push	3.14N	
Travel	4-direction	0.4mm	
	Center push	0.2mm	
Operating life (5mA 5V DC)		100,000 cycles for each direction	
Initial contact resistance		500mΩ max.	
Minimum order unit (pcs.)		1,000	
Operating temperature range		-30°C to +85°C	
Ratings (max.)/(min.) (Resistive load)		50mA 12V DC/10μA 1V DC	
Electrical performance	Directional resolution		4-direction
	Insulation resistance		100MΩ min. 100V DC
	Voltage proof		250V AC for 1 minute
Mechanical performance	Directional operating force		1.57(+0.39, -0.69)N
	Push operating force		3.14±0.59N
	Solder heat resistance	Manual soldering	350°C max. 3s max.
		Dip soldering	260°C max. 5s max.
Durability	Vibration		10 to 55 to 10Hz/min., the amplitude is 1.5mm for all the frequencies, in the 3 direction of X, Y and Z for 2 hours respectively
	Operating life	Center push	100,000 cycles
Environmental performance	Cold		-30±2°C for 96h
	Dry heat		80±2°C for 96h
	Damp heat		60±2°C, 90 to 95%RH for 96h
3D CAD (STEP)			
Certificate of Compliance to RoHS regulations			

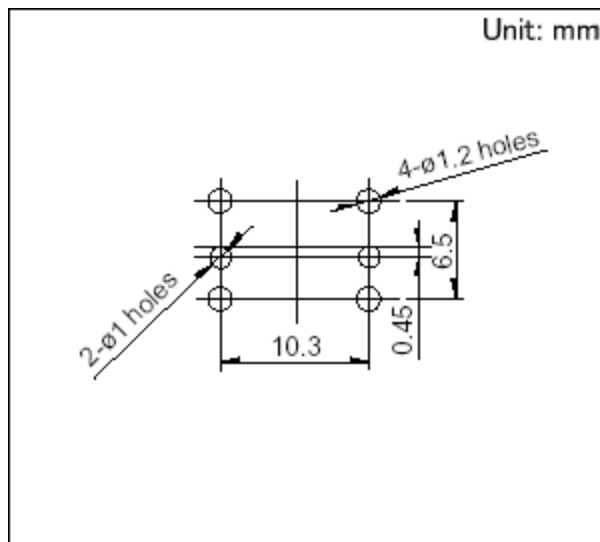
•• Photo



•• Dimensions

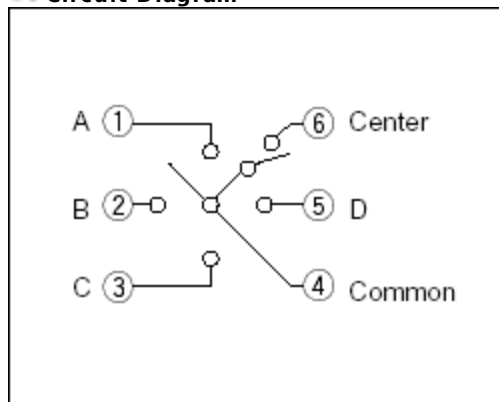


•• Mounting Hole Dimensions



1. Viewed from mounting face.
2. Using a 1.6mm thick PC board is recommended.

● **Circuit Diagram**



>> **NOTE** Notes are common to this series/models.

1. This site catalog shows only outline specifications. When using the products, please obtain formal specifications for supply.
2. For SKQUAA, and SKQUBA models, the 4-directional operating force and travel are measured 0.9mm below the top of the stem.
3. For SKQUCA models, the 4-directional operating force and travel are measured 2.9mm below the top of the stem.
4. For SKQUDB models, the 4-directional operating force and travel are measured 1.5mm below the top of the stem.
5. Please place purchase orders per minimum order unit (integer).
6. Please place purchase orders for taping products per minimum order unit (1 reel or a case).
7. Using a 1.6mm thick PC board is recommended. (Snap-in type.)

❓ **Inquiries about Products**

For more information please contact: Products Information Center.
 1-7, Yukigaya-otsukamachi, Ota-ku, Tokyo, 145-8501, Japan
 Phone: +81 (3) 5499-8154

COPYRIGHT(C) 1995-2010 ALPS ELECTRIC CO., LTD.