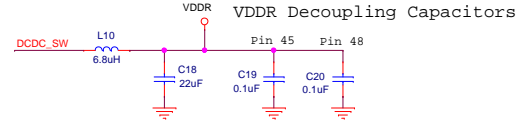
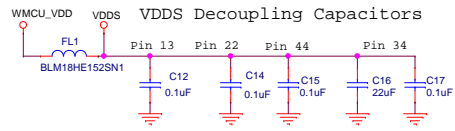
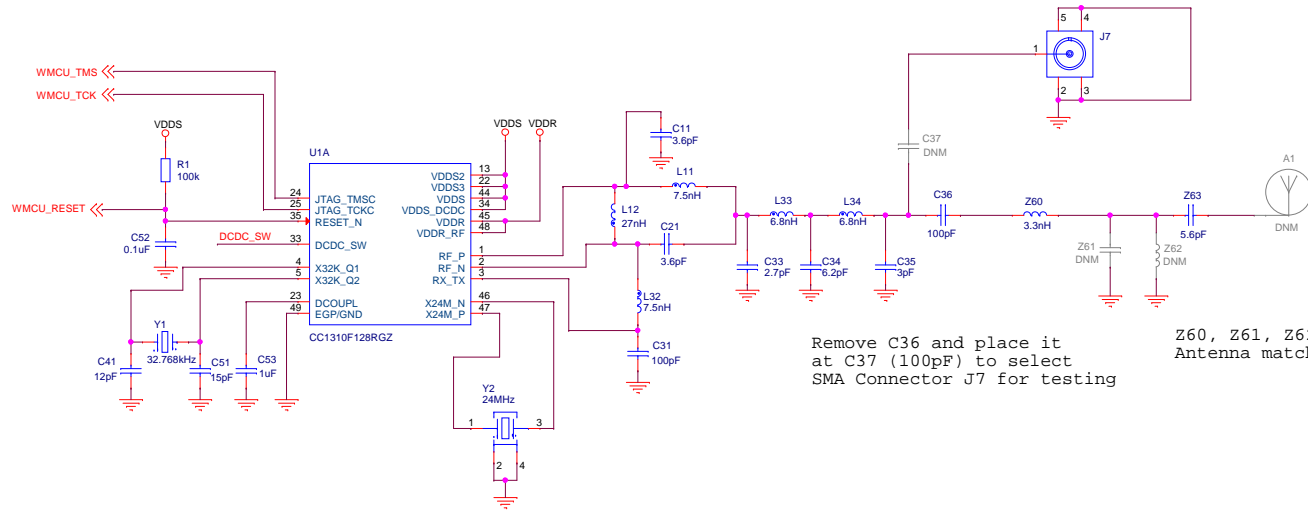


Wireless MCU RF



Place L10 and C18 close to pin 33.
Low inductance ground for C18



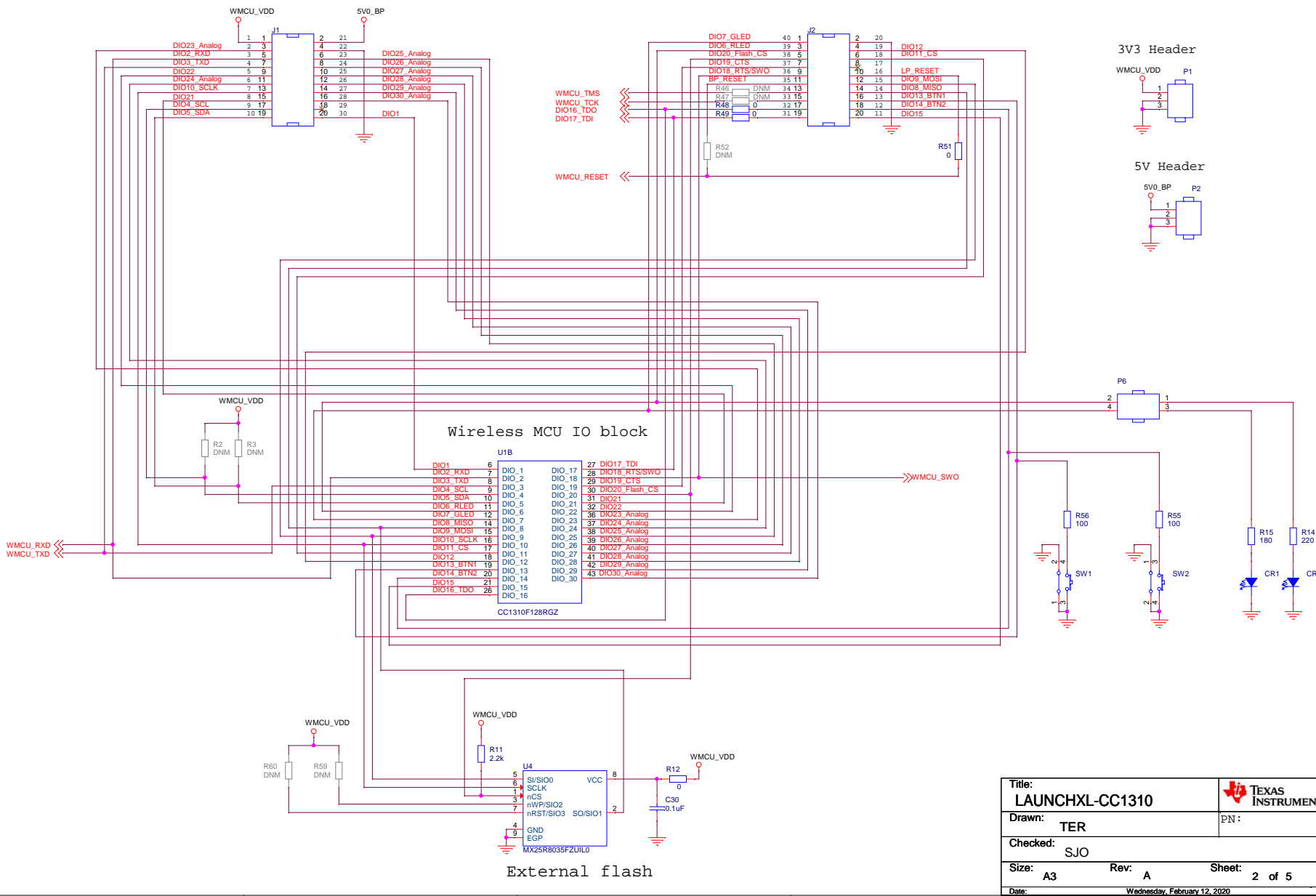
Remove C36 and place it at C37 (100pF) to select SMA Connector J7 for testing

Z60, Z61, Z62 and Z63 for Antenna matching

Wireless MCU IO block placed on page 2.

Title: LAUNCHXL-CC1310		 TEXAS INSTRUMENTS
Drawn:	TER	
Checked:	SJO	
Size: A3	Rev: A	Sheet: 1 of 5
Date:		Wednesday, February 12, 2020

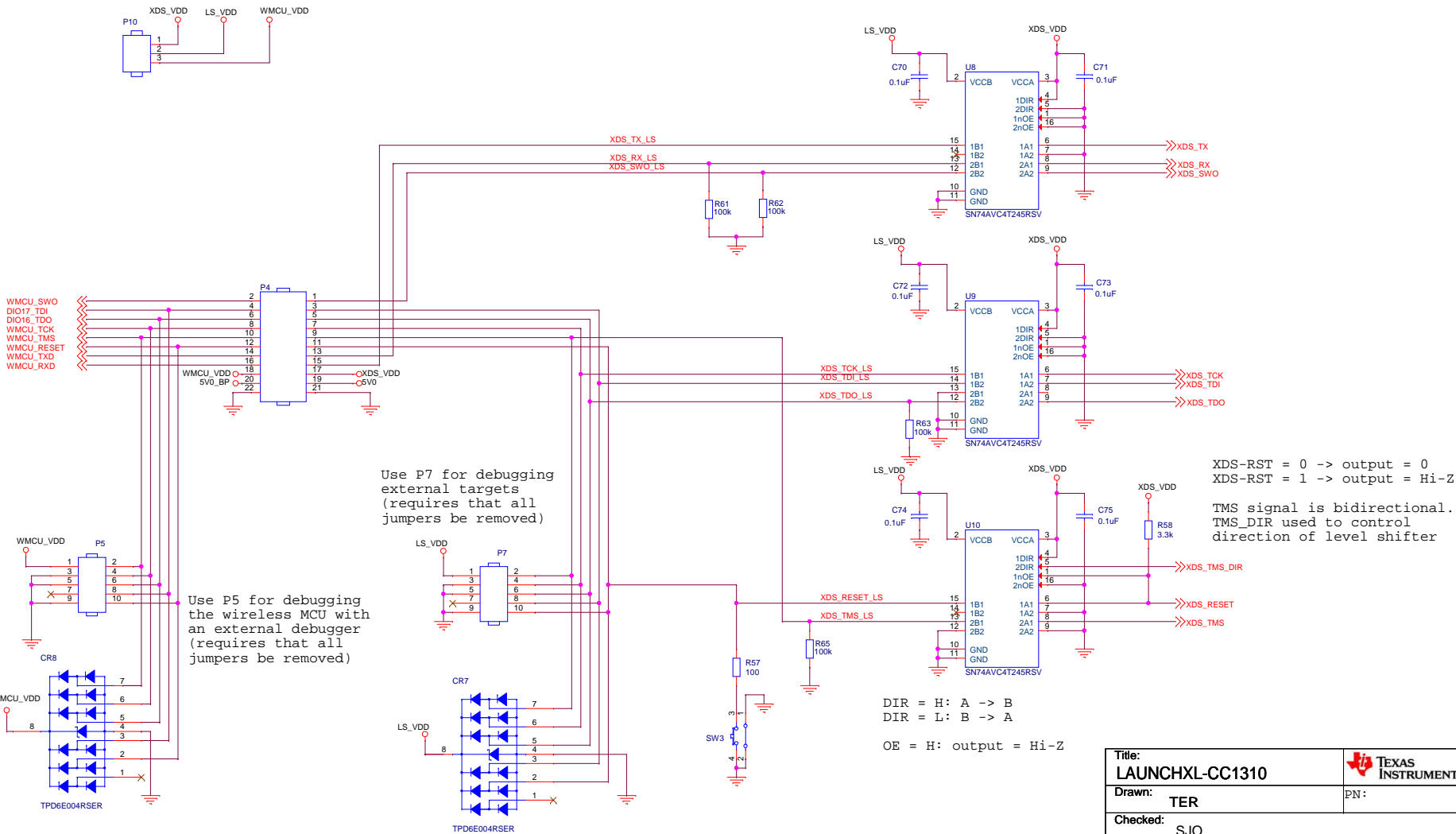
BoosterPack Headers and Peripherals



Title: LAUNCHXL-CC1310		 TEXAS INSTRUMENTS
Drawn: TER	PN:	
Checked: SJO		
Size: A3	Rev: A	Sheet: 2 of 5
Date: Wednesday, February 12, 2020		

XDS110 Debugger Interface

P10 selects the voltage source for the level shifters
 When powering the wireless MCU from the XDS supply, connect jumper between pins 1 and 2.
 When powering the wireless MCU from an external supply, connect jumper between pins 2 and 3.

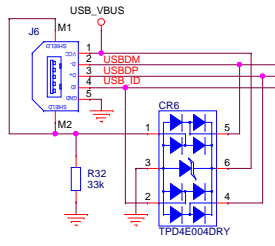
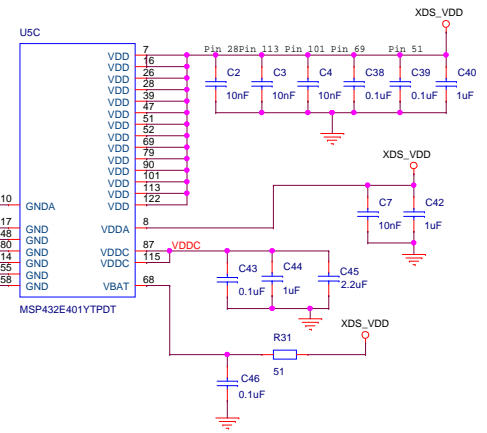
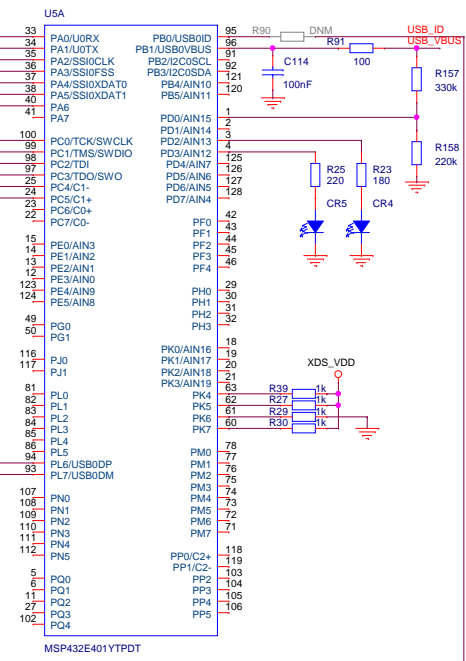
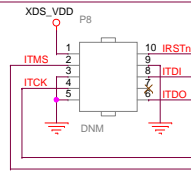


Title: LAUNCHXL-CC1310		 TEXAS INSTRUMENTS
Drawn:	TER	
Checked:	SJO	PN:
Size:	A3	Rev: A
Date:	Wednesday, February 12, 2020	
	Sheet:	3 of 5

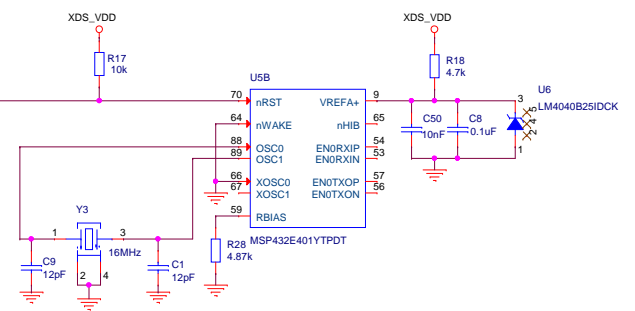
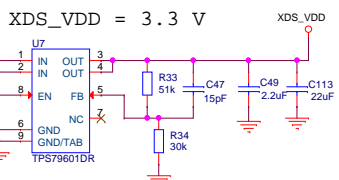
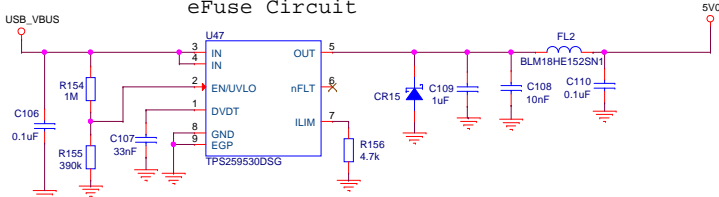
XDS110 Debugger

XDS_RX <-> XDS_RX
 XDS_TX <-> XDS_TX
 XDS_TCK <-> XDS_TCK
 XDS_TMS <-> XDS_TMS
 XDS_TDO <-> XDS_TDO
 XDS_TDI <-> XDS_TDI
 XDS_RESET <-> XDS_RESET

XDS_SWO <-> XDS_SWO
 XDS_TMS_DIR <-> XDS_TMS_DIR



eFuse Circuit



Title: LAUNCHXL-CC1310		TEXAS INSTRUMENTS	
Drawn: TER	Checked: SJO		PN:
Size: A3	Rev: A	Sheet: 4 of 5	Date: Wednesday, February 12, 2020

Mechanical

Rev	Description	Date
1.3	Initial version	-
A	Added eFuse, full length	2020/01/14

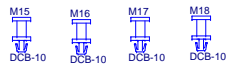
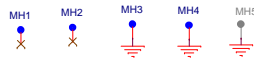
Jumpers to be mounted on P4



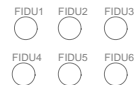
Jumper to be mounted on P10



Jumpers to be mounted on P6



Place standoffs on bottom side on MH1 thru MH4



Title: LAUNCHXL-CC1310		 TEXAS INSTRUMENTS PN:
Drawn:	TER	
Checked:	SJO	
Size: A3	Rev: A	Sheet: 5 of 5
Date:	Wednesday, February 12, 2020	