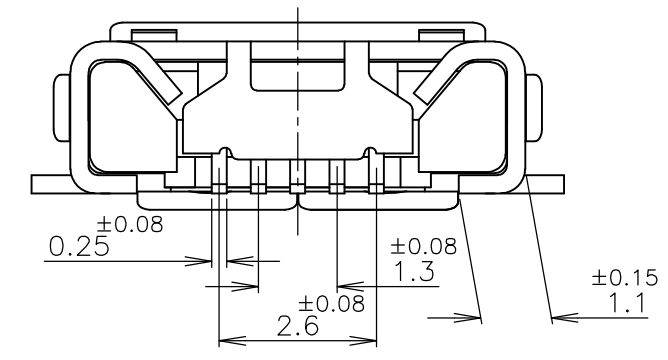
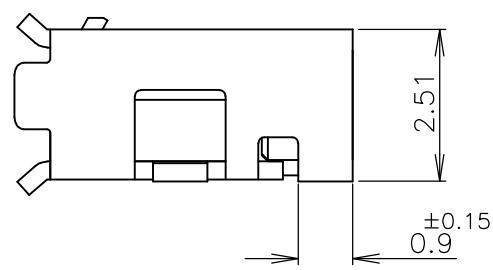
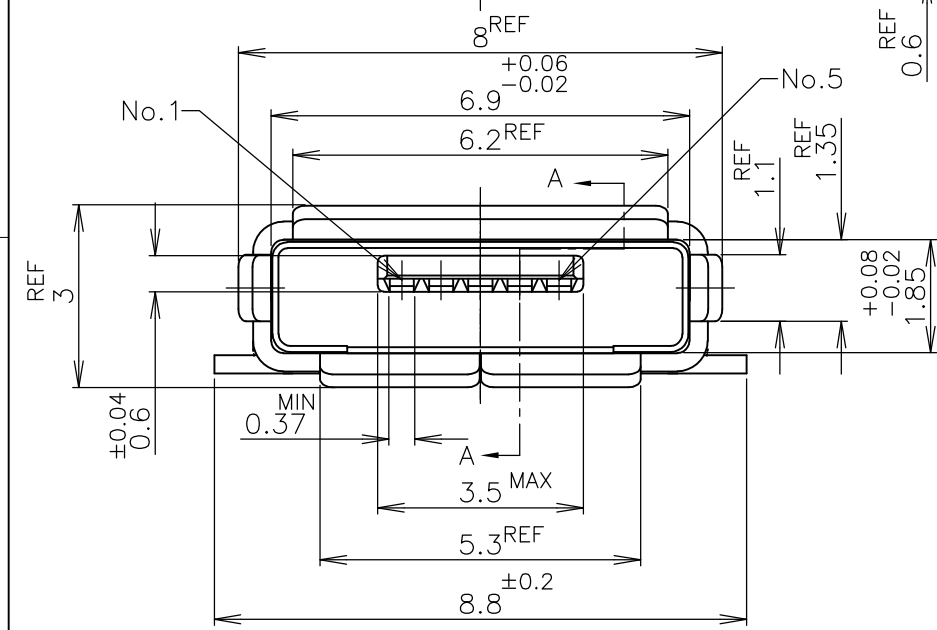
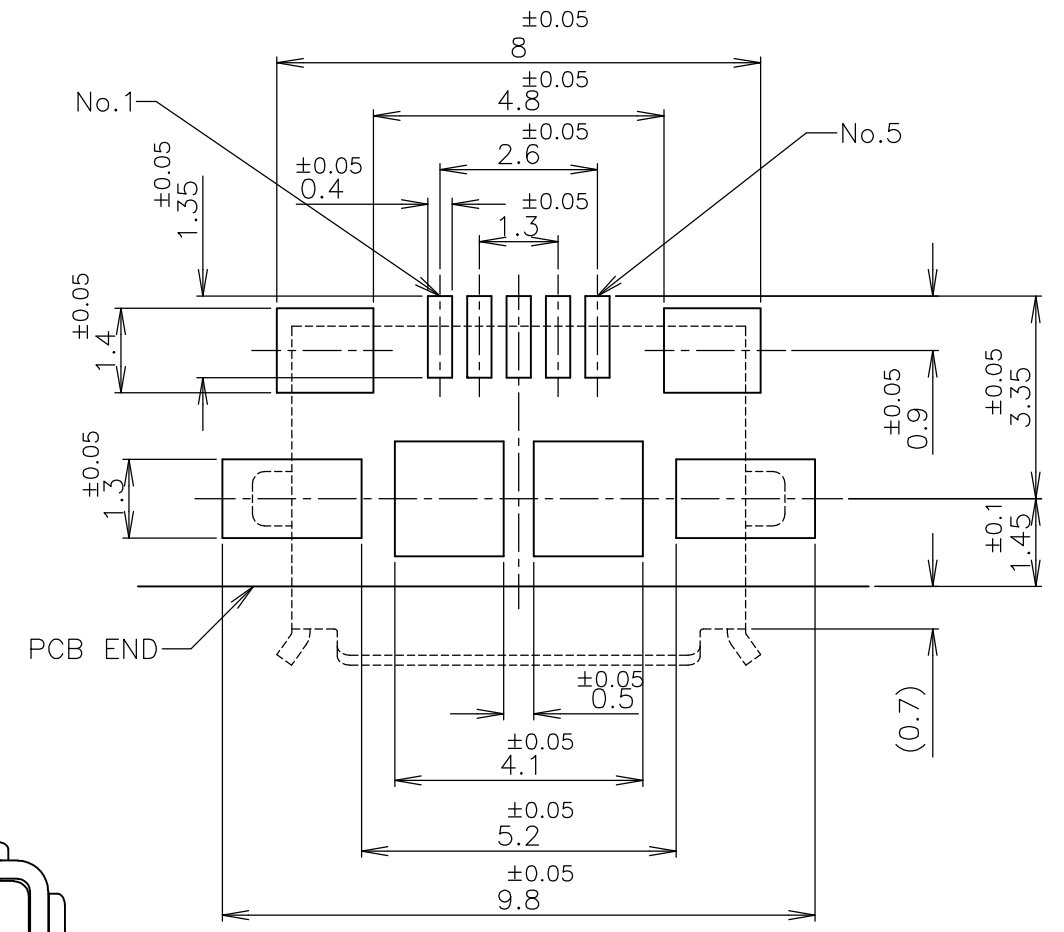
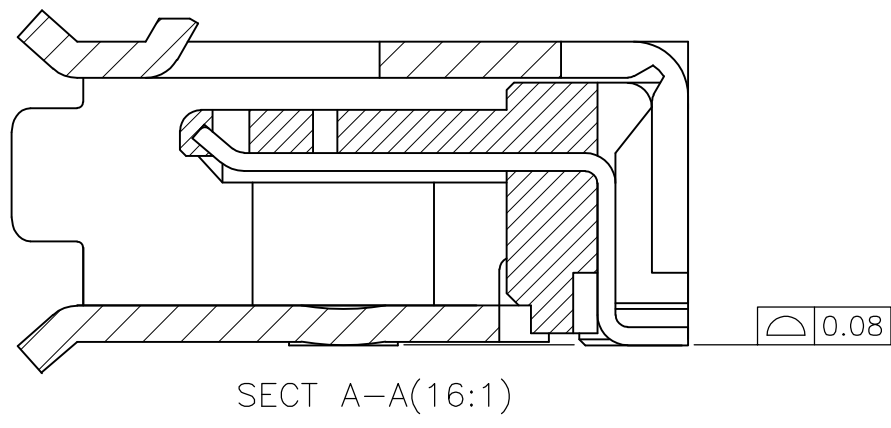
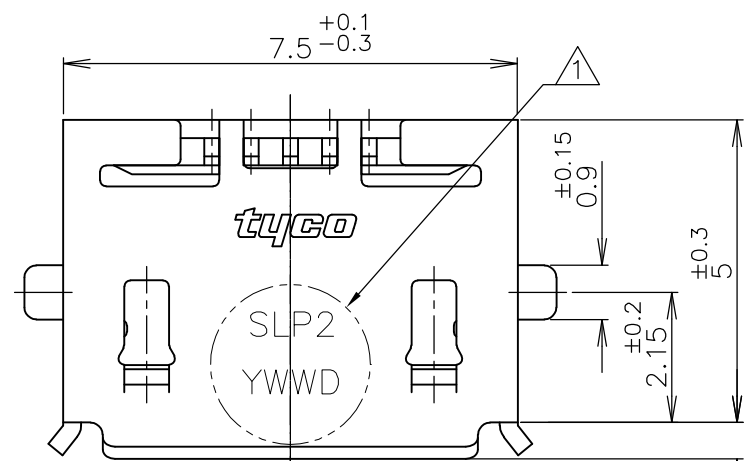


THIS DRAWING IS UNPUBLISHED. RELEASED FOR PUBLICATION JAN , 2007.  
 © COPYRIGHT 2007 BY TYCO ELECTRONICS CORPORATION. ALL RIGHTS RESERVED.

| LOC | DIST | REVISIONS |     |                       |         |     |      |
|-----|------|-----------|-----|-----------------------|---------|-----|------|
| J   | /    | P         | LTR | DESCRIPTION           | DATE    | DWN | APVD |
|     |      | B         |     | REVISED ECR-07-029091 | 04DEC07 | J.T | T.K  |



PCB LAYOUT(REFERENCE)  
(VIEWED FROM CONNECTOR MOUNT SIDE)

- 1. DATE CODE AND VERSION MARKING
- 2. OVERALL TOLERANCE: ±0.2
- 3. MATERIAL HOUSING : THERMOPLASTIC RESIN UL94V-0  
CONTACT : COPPER ALLOY  
SHELL : STAINLESS STEEL
- 4. FINISH CONTACT : Ni UNDER PL  
Au PL AT  
SHELL : Ni UNDER PL  
Sn PL

|  |                |                                 |  |                    |
|--|----------------|---------------------------------|--|--------------------|
| THIS DRAWING IS A CONTROLLED DOCUMENT.                                       |                | DWN<br>J.TSUJI<br>06AUG2007     | Tyco Electronics AMP K.K.<br>Kawasaki, Japan                   |                    |
| DIMENSIONS:<br>単位: 耗<br>MM   |                | CHK<br>T.KUSUHARA<br>07AUG2007  | NAME<br>名称<br>MICRO USB<br>RECEPTACLE STANDARD TYPE AB<br>ASSY |                    |
| TOLERANCES UNLESS<br>OTHERWISE SPECIFIED:<br>一般公差                            |                | APVD<br>T.KUSUHARA<br>07AUG2007 | PRODUCT SPEC<br>製品規格   |                    |
| 0 PLC ± -<br>1 PLC ± -<br>2 PLC ± -<br>3 PLC ± -<br>4 PLC ± -<br>ANGLES ± 10 |                | APPLICATION SPEC<br>取付適用規格      | SIZE<br>A3   | CAGE CODE<br>00779 |
| 1981584-1  | MATERIAL<br>材料 | WEIGHT                          | DRAWING NO<br>番号<br>G-1981584                                  |                    |
| PART NUMBER  | FINISH<br>仕上   | CUSTOMER DRAWING                |  | RESTRICTED TO<br>- |
|  |                | SCALE<br>尺度 8:1                 | SHEET<br>1 OF 2  | REV<br>B           |

4

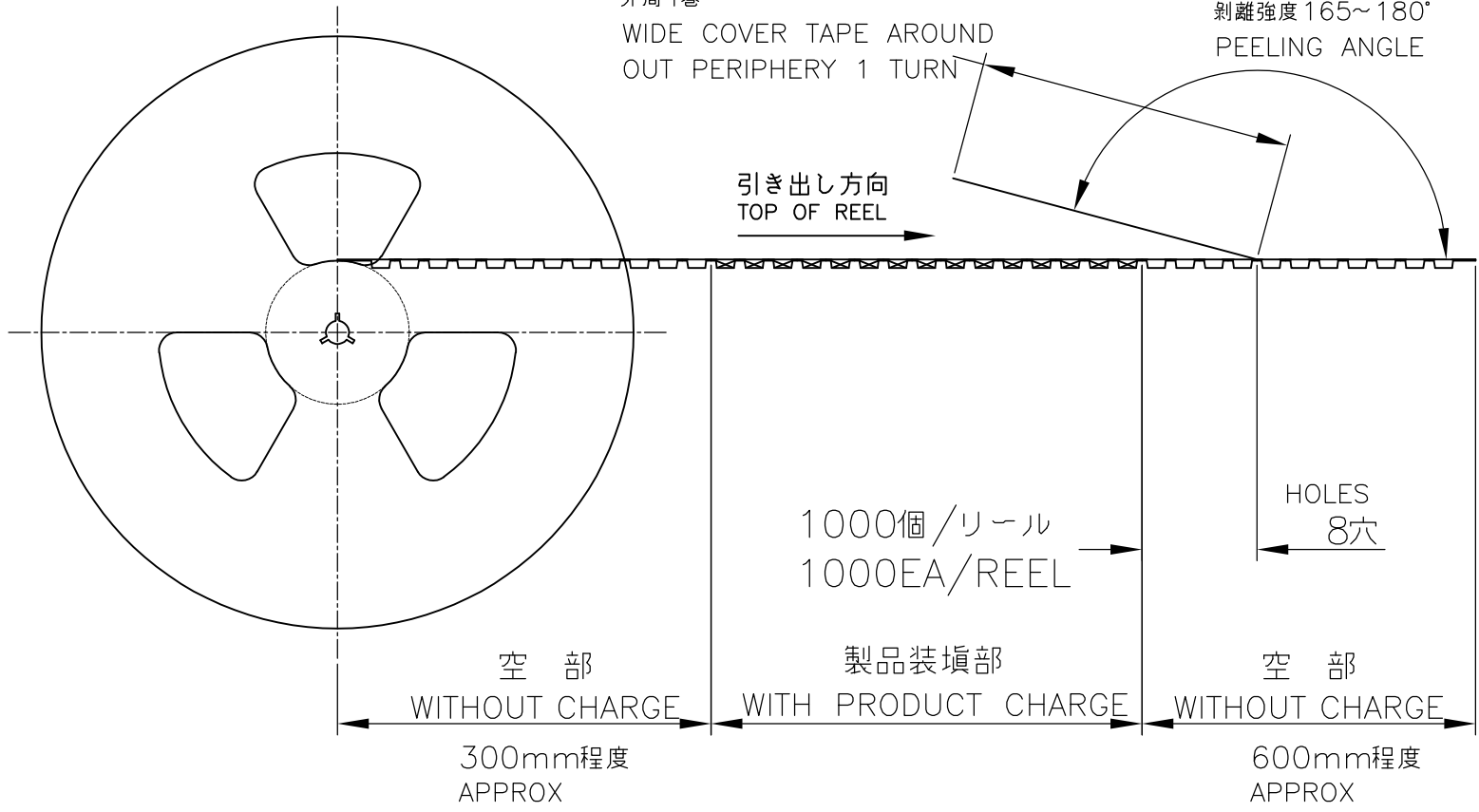
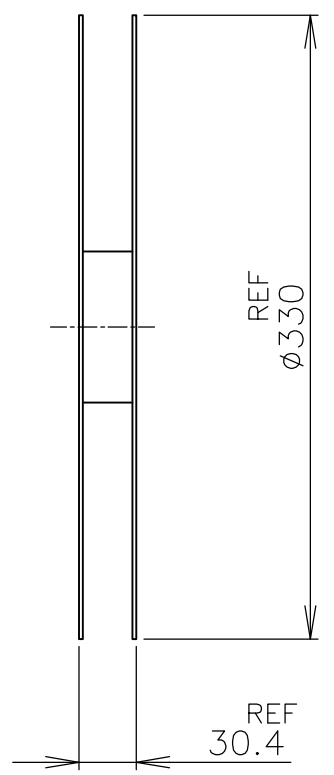
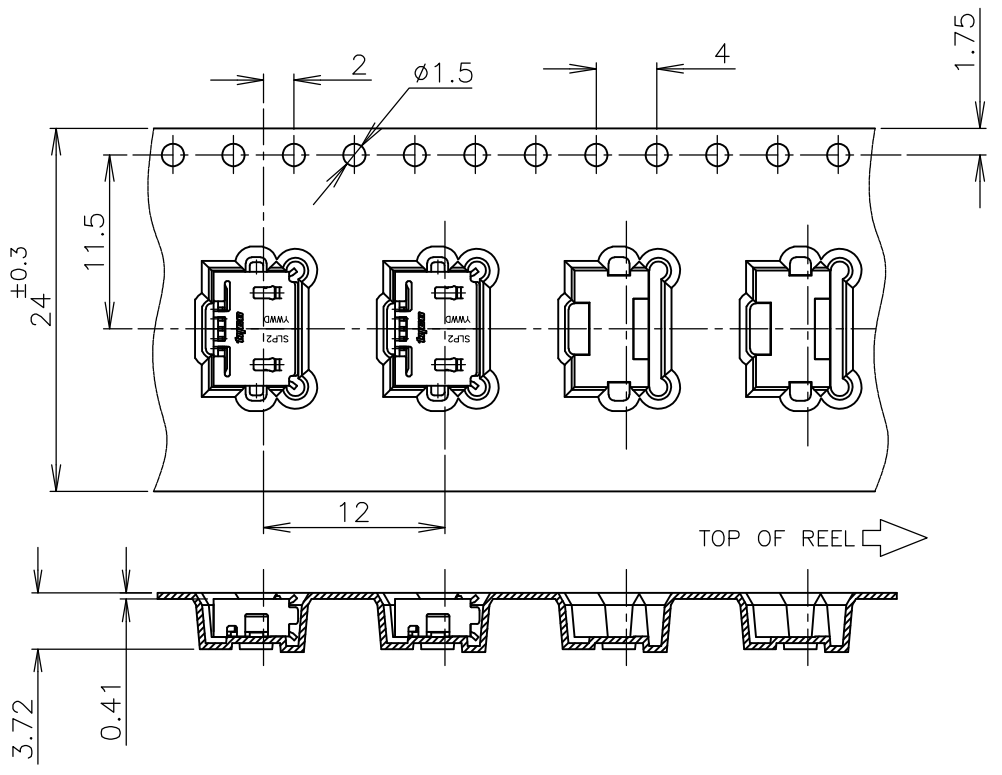
3

2

1

THIS DRAWING IS UNPUBLISHED. RELEASED FOR PUBLICATION JAN , 2007.  
 © COPYRIGHT 2007 BY TYCO ELECTRONICS CORPORATION. ALL RIGHTS RESERVED.

| LOC | DIST | REVISIONS |     |             |      |     |      |
|-----|------|-----------|-----|-------------|------|-----|------|
| J   | /    | P         | LTR | DESCRIPTION | DATE | DWN | APVD |
|     |      |           | -   | SEE SHEET 1 | -    | -   | -    |



|   |  |                         |                   |              |           |  |       |
|---|--|-------------------------|-------------------|--------------|-----------|--|-------|
| THIS DRAWING IS A CONTROLLED DOCUMENT.      |  | DWN                     | Tyco Electronics  |              |           | Tyco Electronics AMP K.K.                  |       |
| DIMENSIONS: 単位: 耗 MM                        |  | CHK                     | NAME 名称           |              |           | MICRO USB RECEPTACLE STANDARD TYPE AB ASSY |       |
| TOLERANCES UNLESS OTHERWISE SPECIFIED: 一般公差 |  | APVD                    | PRODUCT SPEC 製品規格 |              |           | RESTRICTED TO                              |       |
| 0 PLC ±-                                    |  | APPLICATION SPEC 取付適用規格 |                   | SIZE         | CAGE CODE | DRAWING NO 番号                              |       |
| 1 PLC ±-                                    |  | WEIGHT                  |                   | A3           | 00779     | G-1981584                                  |       |
| 2 PLC ±-                                    |  | CUSTOMER DRAWING        |                   | SCALE 尺度 2:1 |           | SHEET 2 OF 2                               | REV B |
| 3 PLC ±-                                    |  |                         |                   |              |           |  |       |
| 4 PLC ±-                                    |  |                         |                   |              |           |  |       |
| ANGLES ±-                                   |  |                         |                   |              |           |  |       |
| MATERIAL 材料                                 |  |                         |                   |              |           |  |       |
| FINISH 仕上                                   |  |                         |                   |              |           |  |       |