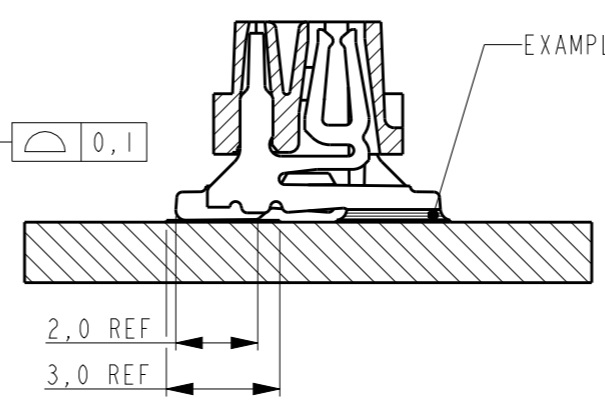
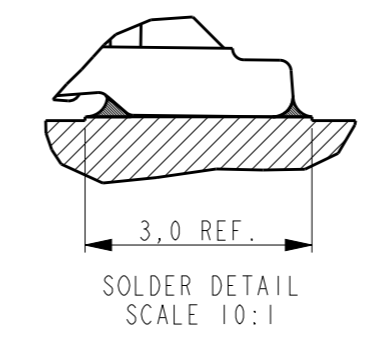
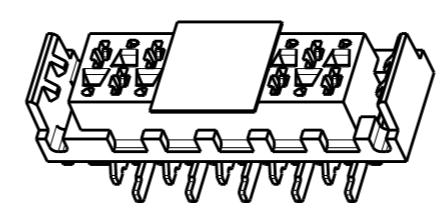
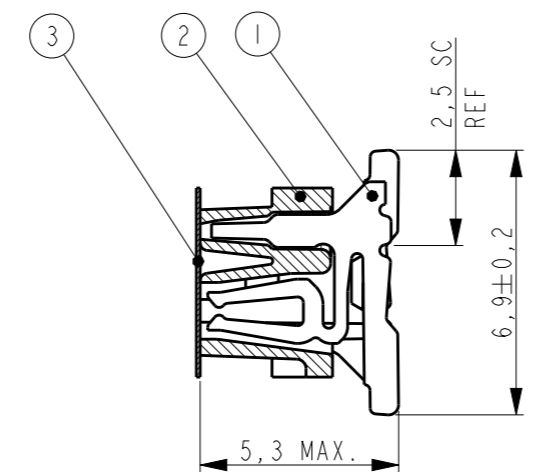
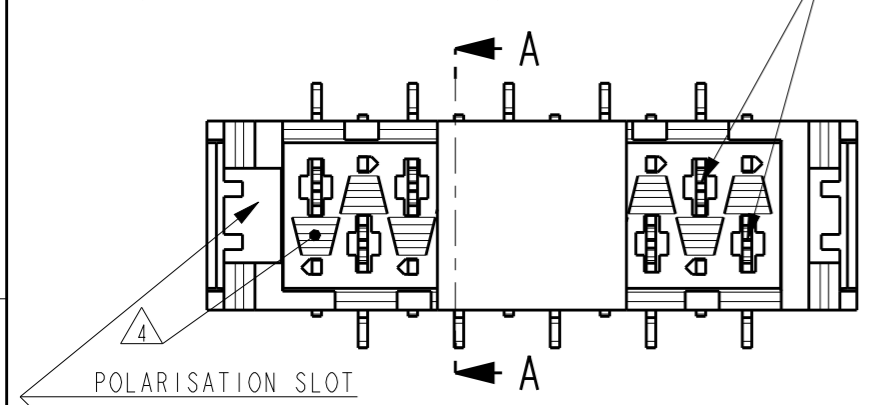


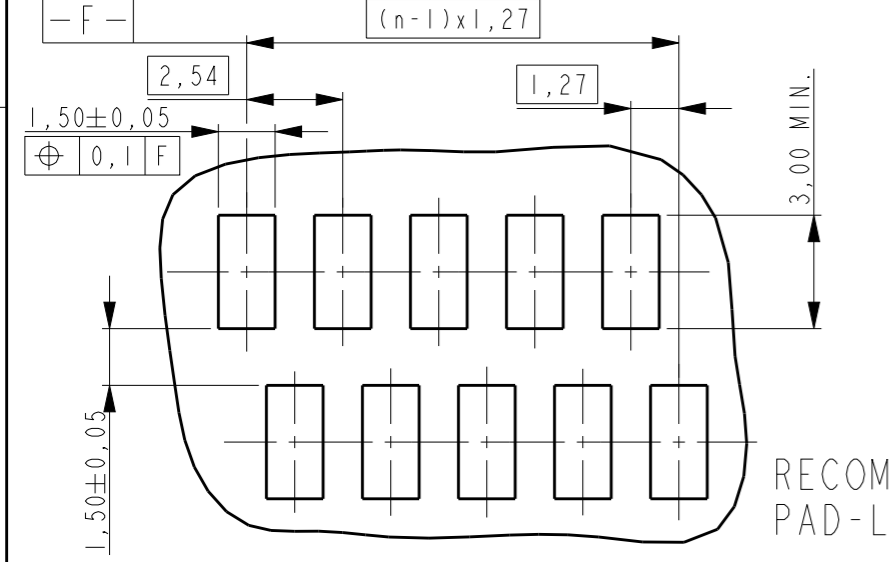
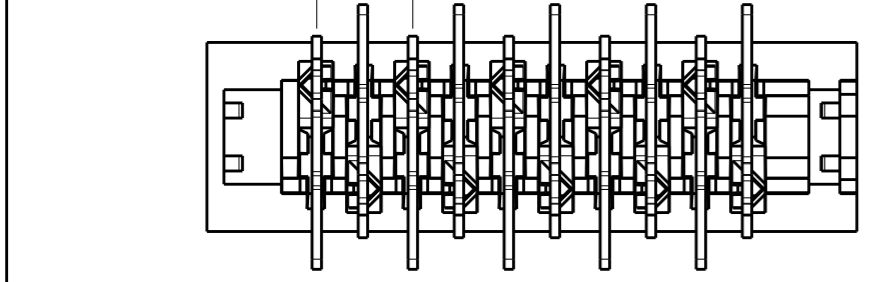
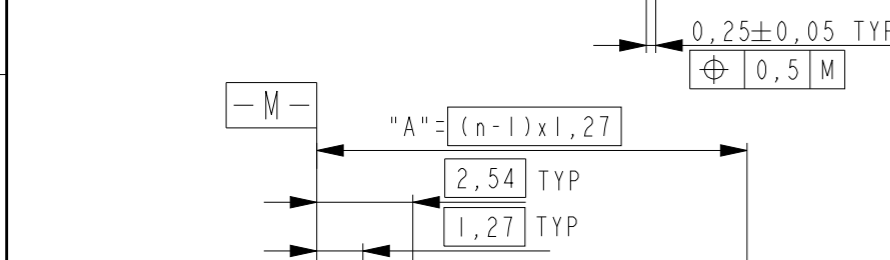
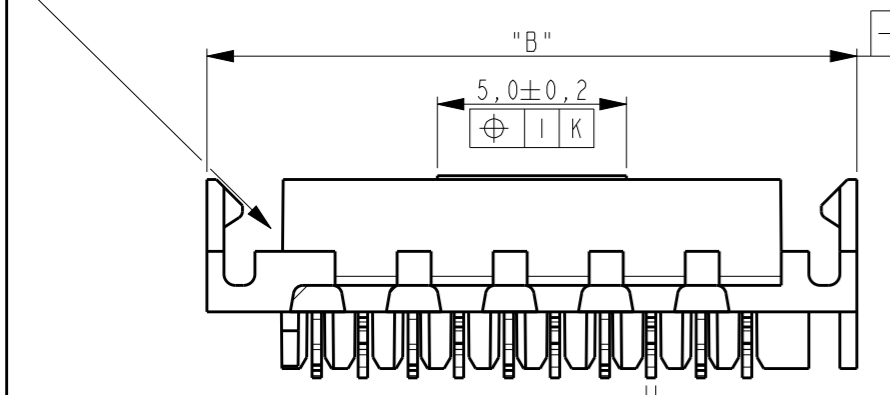
THIS DRAWING IS UNPUBLISHED. RELEASED FOR PUBLICATION
 © COPYRIGHT - ALL RIGHTS RESERVED.

LOC	DIST	REVISIONS			
P	LTR	DESCRIPTION	DATE	DWN	APVD
H	-	H3 APPLICATION SPECIFICATION NUMBER ADDED	24JUL2013	KJK	RP

REFERENCE MATING INTERFACE PATTERN:
 1,27 STAGGERED PITCH x 1,5 ROW-DISTANCE.

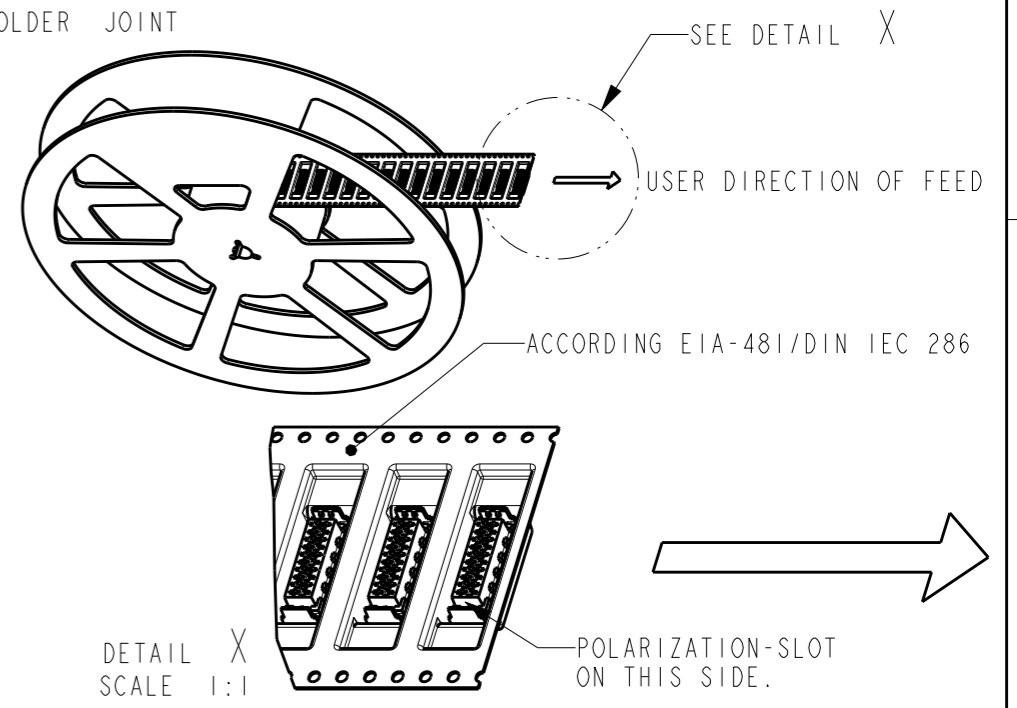


△1 PARTNUMBER VAC. TAPE.	△3 PARTNUMBER	NR. OF POS. "n"	"A"	"B" MAX.
7-338069-4	0-338069-4	4	3,81	9,7
7-338069-6	0-338069-6	6	6,35	12,2
7-338069-8	0-338069-8	8	8,89	14,7
8-338069-0	1-338069-0	10	11,43	17,3
8-338069-2	1-338069-2	12	13,97	19,8
8-338069-4	1-338069-4	14	16,51	22,4
8-338069-6	1-338069-6	16	19,05	24,9
8-338069-8	1-338069-8	18	21,59	27,4
9-338069-0	2-338069-0	20	24,13	30,0
9-338069-4	2-338069-4	24	29,21	35,0



NOTES:

- △1 TAPE FOR VACUUM P&P ONLY FOR DASH NUMBERS 7- /8- /9-
- 2 FOR PACKAGING SEE SHEET 2 AND 3
- △3 WITHOUT VACUUM TAPE.
- △4 CORING-OUTS FOR MANUFACTURING PURPOSE ONLY. SHAPE MAY VARY, BUT IS NOT FUNCTIONAL FOR THE APPLICATION.
- 5 SHOWN IS A 10 POSITION CONNECTOR.



DETAIL X
SCALE 1:1

THIS DRAWING IS A CONTROLLED DOCUMENT.

DIMENSIONS:	TOLERANCES UNLESS OTHERWISE SPECIFIED:
mm	0 PLC ±-
	1 PLC ±-
	2 PLC ±-
	3 PLC ±-
	4 PLC ±-
	ANGLES ±-
MATERIAL	FINISH
SEE TABLE	SEE TABLE

3	PICK & PLACE TAPE	KAPTON	AMBER TRANSPARENT
2	FEMALE HOUSING	POLYAMIDE 4/6,GF	RED
1	FEMALE CONTACT	PHOSPHOR BRONZE	TIN OVER NICKEL
Item no.	Description	Material	Finish
DWN	M. Gosselink		
CHK			
APVD			
PRODUCT SPEC	108-19052		
APPLICATION SPEC	114-13318		
WEIGHT	-		
CUSTOMER DRAWING		SCALE 5:1	SHEET 1 OF 3

TE Connectivity
 CONNECTOR, FEMALE-ON-BOARD TOP-ENTRY, SMD, WITH LATCHES, Micro-MaTch
 SIZE A3 CAGE CODE 00779 DRAWING NO C-338069 RESTRICTED TO -
 REV H3

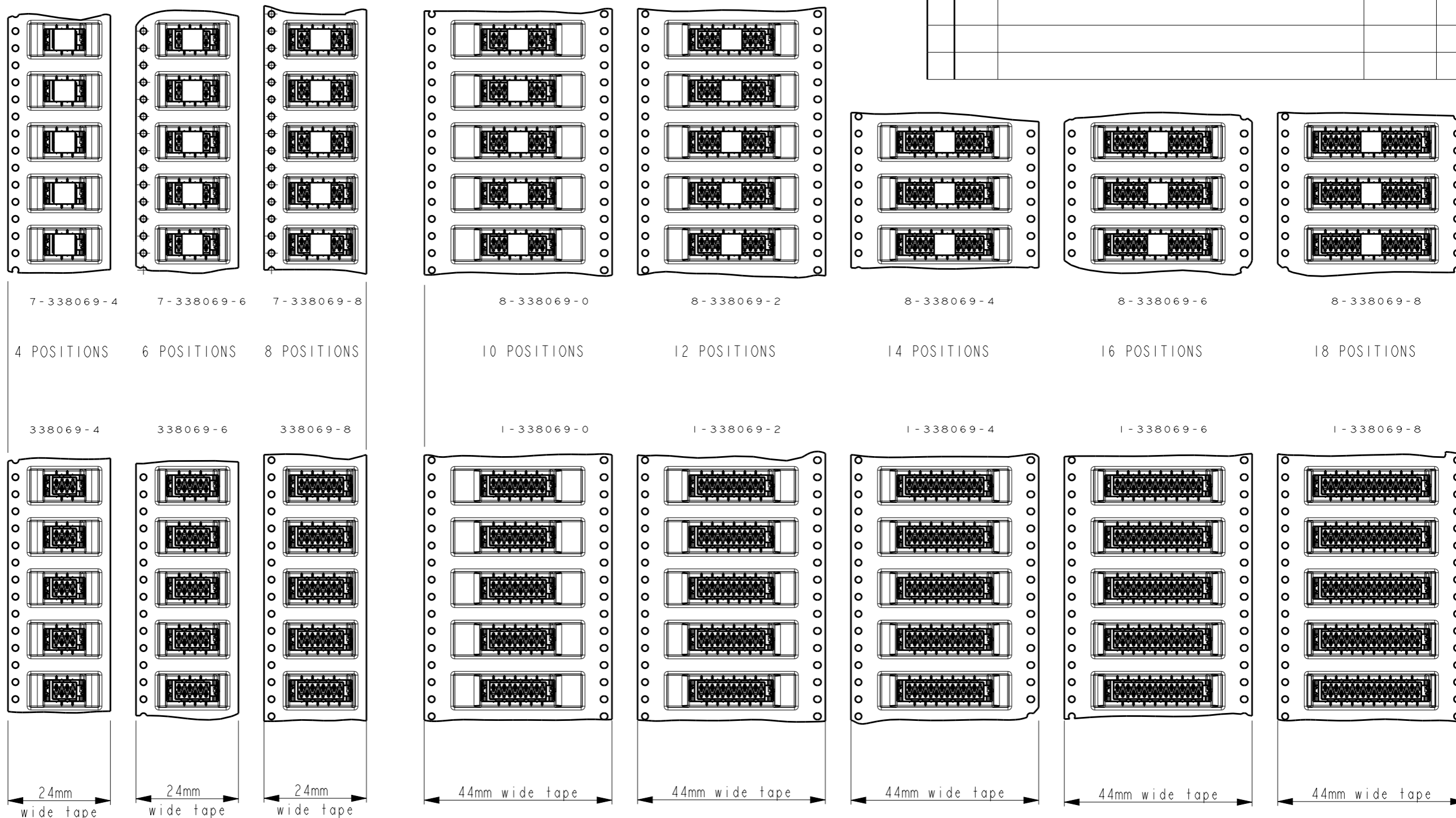
THIS DRAWING IS UNPUBLISHED.

RELEASED FOR PUBLICATION

© COPYRIGHT -

ALL RIGHTS RESERVED.

LOC	DIST	REVISIONS					
H	-	P	LTR	DESCRIPTION	DATE	DWN	APVD
				SEE SHEET 1			



THIS DRAWING IS A CONTROLLED DOCUMENT.		DWN M. Gosselink	I IDECO1	
DIMENSIONS: mm		CHK -	TE Connectivity	
TOLERANCES UNLESS OTHERWISE SPECIFIED:		APVD -	NAME CONNECTOR, FEMALE-ON-BOARD TOP-ENTRY, SMD, WITH LATCHES, Micro-MaTch	
0 PLC ±-		PRODUCT SPEC 108-19052	SIZE A3	
1 PLC ±-		APPLICATION SPEC 114-13318	CAGE CODE 00779	DRAWING NO C-338069
2 PLC ±-		WEIGHT -	RESTRICTED TO -	
3 PLC ±-		CUSTOMER DRAWING		
4 PLC ±-		SCALE 5:1		
ANGLES ±-		SHEET 2 OF 3		
FINISH -		REV H3		

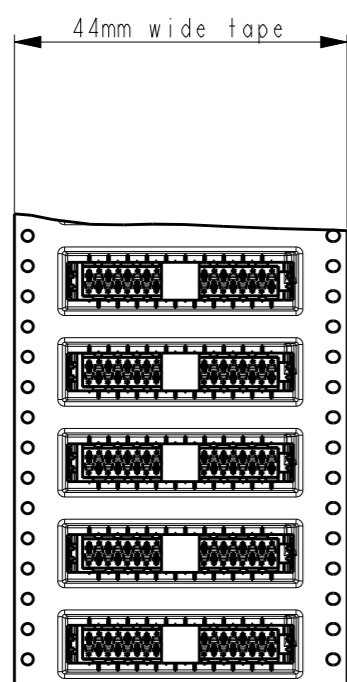
THIS DRAWING IS UNPUBLISHED.

RELEASED FOR PUBLICATION

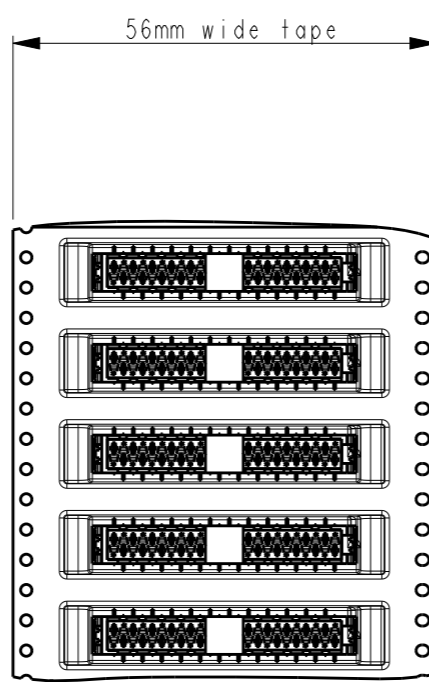
© COPYRIGHT -

ALL RIGHTS RESERVED.

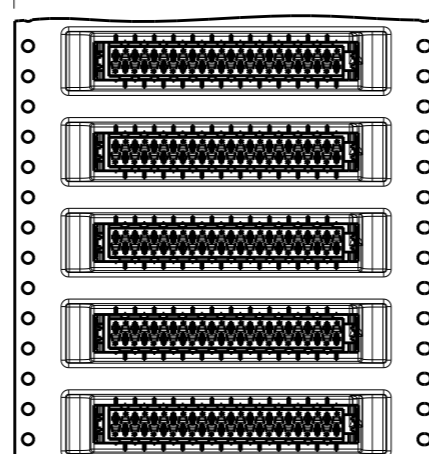
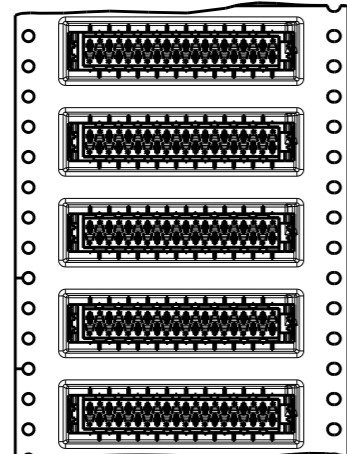
LOC	DIST	REVISIONS					
H	-	P	LTR	DESCRIPTION	DATE	DWN	APVD
				SEE SHEET 1			



9-338069-0
 20 POSITIONS
 2-338069-0

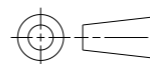


9-338069-4
 24 POSITIONS
 2-338069-4



THIS DRAWING IS A CONTROLLED DOCUMENT.

DIMENSIONS:
mm



TOLERANCES UNLESS OTHERWISE SPECIFIED:

0 PLC	±.0
1 PLC	±.0
2 PLC	±.0
3 PLC	±.0
4 PLC	±.0
ANGLES	±.0

MATERIAL -

FINISH -

DWN M. Gosselink IDECO1

CHK -

APVD -

PRODUCT SPEC 108-19052

APPLICATION SPEC 114-13318

WEIGHT -

CUSTOMER DRAWING



NAME
 CONNECTOR,
 FEMALE-ON-BOARD TOP-ENTRY,
 SMD, WITH LATCHES, Micro-MaTch

SIZE	CAGE CODE	DRAWING NO	RESTRICTED TO
A3	00779	C-338069	-

SCALE 5:1 SHEET 3 OF 3 REV H3