

MATERIALS & SPECIFICATIONS

PART NO.	A29100-009	REV	J	ECO	96465	DATE	01-30-10	APP	TLM
----------	------------	-----	---	-----	-------	------	----------	-----	-----

HOUSING:
ALUMINUM 6061-T6, NICKEL PLATE
PER AMS-C-26074

INSULATOR:
LIQUID CRYSTAL POLYMER (LCP) PER
ASTM D5138

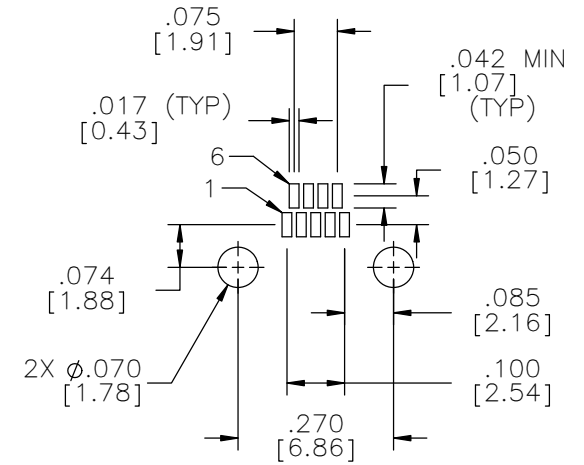
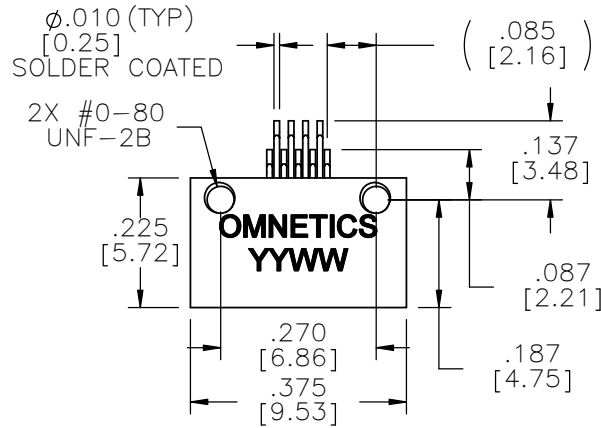
CONTACTS:
COPPER ALLOY PER MIL-DTL-32139,
GOLD PLATED PER ASTM B488,
(HARD GOLD) TYPE II CODE C CLASS
1.27

TERMINATIONS:
SOLDER COATED WITH SN63A
PER J-STD-006

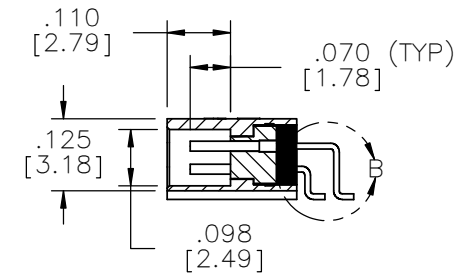
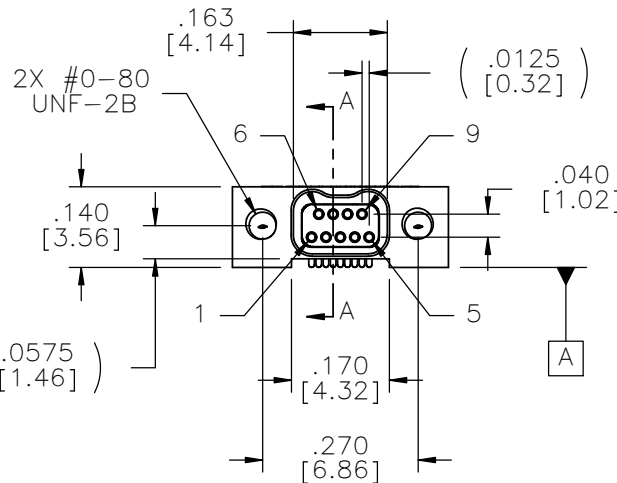
CURRENT RATING:
1 AMP MAX PER MIL-DTL-32139

CONTACT RESISTANCE:
71 MILLIOHM MAX (71mV DROP MAX)
@ 1.0 AMPS PER MIL-DTL-32139

PERFORMANCE:
PRODUCT FAMILY TESTED TO AND
PASSED THE PERFORMANCE
SPECIFICATIONS OF TABLE VIII OF
MIL-DTL-32139



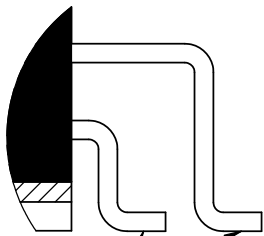
SUGGESTED PAD LAYOUT



SECTION A-A



ACTUAL SIZE



DETAIL B
SCALE 10 : 1

MCTIS OSM/W SLD/W	THIRD ANGLE ϕ \equiv
	-TOLERANCES-
	UNLESS OTHERWISE NOTED
	DIMENSIONS IN INCHES
2 PL DEC \pm .01	
3 PL DEC \pm .005	
4 PL DEC \pm .0005	
ANGLES \pm 1°	

THIS DRAWING CONTAINS CONFIDENTIAL AND PROPRIETARY INFORMATION WHICH IS THE PROPERTY OF OMNETICS CONNECTOR CORP. THIS DOCUMENT MAY NOT, IN WHOLE OR IN PART, BE DUPLICATED, OR DISCLOSED FOR ANY PURPOSE, WITHOUT WRITTEN PERMISSION FROM OMNETICS CONNECTOR CORP.	
DFTM. AAS	DATE 05-10-04
CHK'D.	DATE
APP'D.	DATE
TITLE: (09) SOCKET FEMALE Bi-Lobe® CONNECTOR	

OMNETICS
CONNECTOR CORPORATION
7260 COMMERCE CIRCLE EAST
MINNEAPOLIS, MN 55432
WWW.OMNETICS.COM

CAGE CODE 61873
DWG NO. A29100-009
SHEET 1 OF 1
SCALE: 3:1
REV J