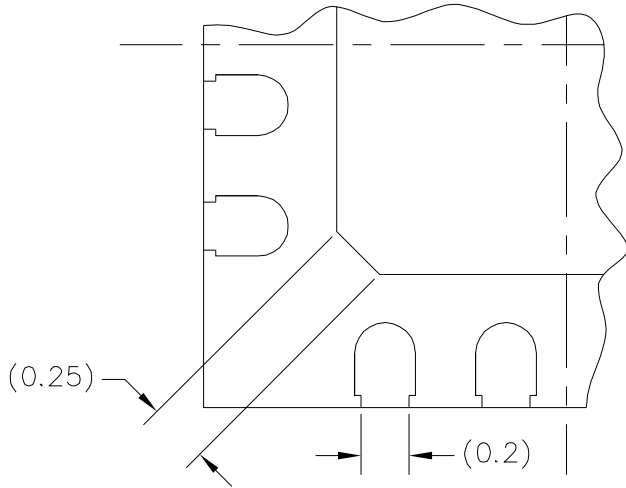
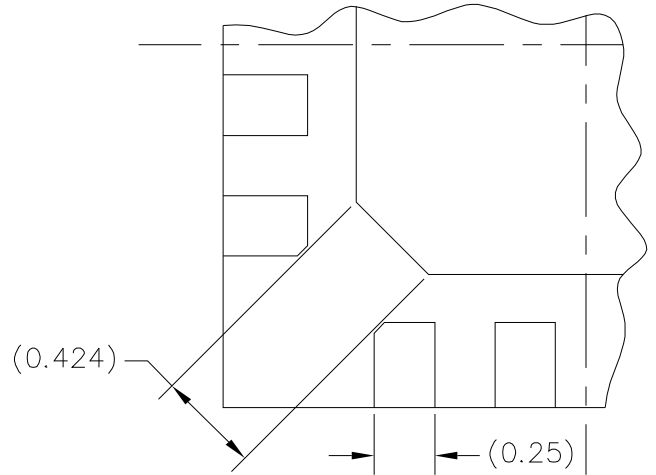


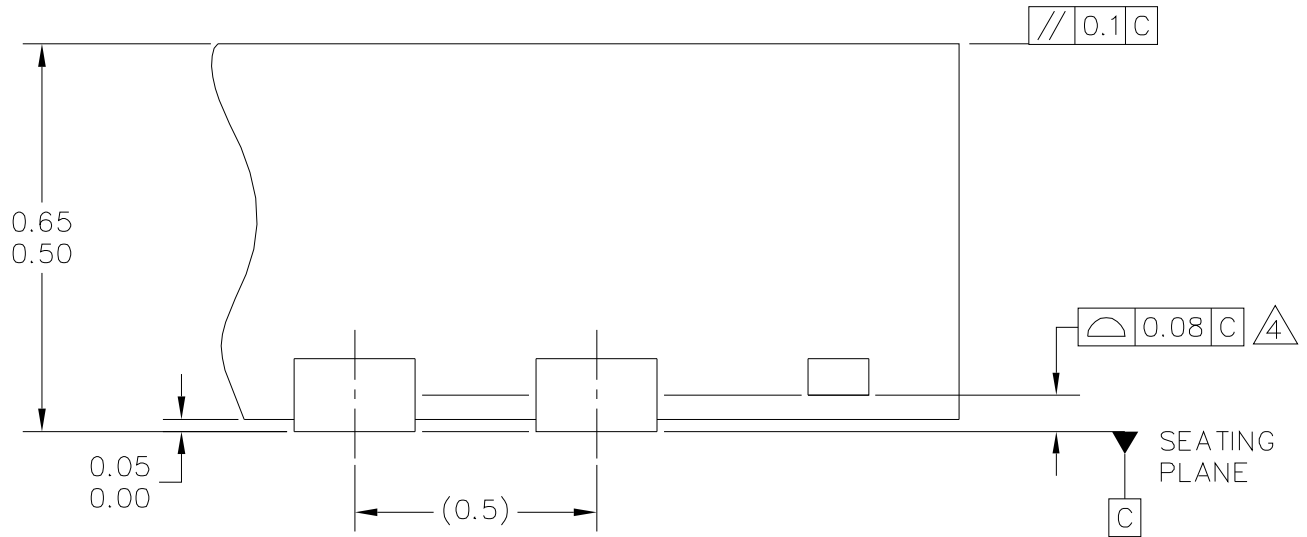
© FREESCALE SEMICONDUCTOR, INC. ALL RIGHTS RESERVED.	MECHANICAL OUTLINE	PRINT VERSION NOT TO SCALE
TITLE: QFN, THERMALLY ENHANCED, 3X3X0.65 PKG, 0.5 PITCH, 16 TERMINAL, TYPE-E LEAD	DOCUMENT NO: 98ASA00525D	REV: 0
	STANDARD: NON-JEDEC 07 DEC 2012	



DETAIL M
 OPTION 1
 PIN 1 BACKSIDE IDENTIFIER



DETAIL M
 OPTION 2
 PIN 1 BACKSIDE IDENTIFIER



DETAIL G
 VIEW ROTATED 90° CW

© FREESCALE SEMICONDUCTOR, INC. ALL RIGHTS RESERVED.	MECHANICAL OUTLINE	PRINT VERSION NOT TO SCALE
TITLE: QFN, THERMALLY ENHANCED, 3X3X0.65 PKG, 0.5 PITCH, 16 TERMINAL, TYPE-E LEAD	DOCUMENT NO: 98ASA00525D	REV: 0
	STANDARD: NON-JEDEC	
	07 DEC 2012	

NOTES:

1. ALL DIMENSIONS ARE IN MILLIMETERS.
2. DIMENSIONING AND TOLERANCING PER ASME Y14.5M-1994.
3. THIS IS NON-JEDEC REGISTERED PACKAGE.

4.  COPLANARITY APPLIES TO LEADS AND DIE ATTACH PAD.

© FREESCALE SEMICONDUCTOR, INC. ALL RIGHTS RESERVED.	MECHANICAL OUTLINE	PRINT VERSION NOT TO SCALE
TITLE: QFN, THERMALLY ENHANCED, 3X3X0.65 PKG, 0.5 PITCH, 16 TERMINAL, TYPE-E LEAD	DOCUMENT NO: 98ASA00525D REV: 0	
	STANDARD: NON-JEDEC	
	07 DEC 2012	