

## Bluetooth® Low Energy (BLE) Module

### Features

- Bluetooth SIG 4.2 qualified
- Certified to MIC and KCC radio regulations. FCC, IC, and NCC certifications are planned.
- European R&TTE Directive Assessed Radio Module is planned.
- UART, I<sup>2</sup>C, and SPI interface supported
- Supports transparent UART data service of BLE
- Built around Microchip IS187x SoC
- BM70 supports 3-channel PWM and BM71 supports 1-channel PWM
- Precision Temperature Sensor (PTS) with operating range of -20°C ~ +70°C with an accuracy of +/- 3°C
- 12 bits Analog-to-Digital Converter (ADC) support for battery and voltage detection is provided. 8-channel ADC for BM70 and 5-channel ADC for BM71 is provided.
- 18 general purpose I/O pins (BM70) and 9 general purpose I/O pins (BM71)
- Integrated 32 MHz crystal
- Small and compact surface mount module
- Castellated SMT pads for easy and reliable PCB mounting

### RF Features

- ISM Band 2.402 GHz to 2.480 GHz operation
- Channels: 0-39
- Receive Sensitivity: typical -90 dBm (LE)
- Transmit Power: Class 2 output power (0 dBm typical, +2 dBm maximum)
- Received Signal Strength Indication (RSSI) monitor with 1db resolution

### MAC/Baseband/Higher Layer Features

- Secure AES128 encryption
- GAP, GATT, SM, L2CAP and integrated public profile
- Create custom services using User Interface (UI) tool, a Windows® configuration utility
- I/O capability for BT4.0/BT4.2 authentication
- Software configurable role as peripheral/central, client/server



**Note:** The image is for representation purpose only. The original product might differ in markings.

### Antenna

- Integrated chip antenna (BM7xBLES1FC2)
- External antenna connection through RF pad (BM7xBLE01FC2)

### Power Management

- Low-power modes supported, system wake-up through any GPIO
- Peak current: Tx 13 mA and Rx 13 mA with buck at 3.0V

### Operating Conditions

- Operating voltage range: 1.9V to 3.6V
- Operating temperature: -20°C to 70°C

**Note:** This device has not been authorized as required by the rules of the Federal Communications Commission. This device is not, and may not be, offered for sale or lease, or sold or leased, until authorization is obtained.

# BM70/71

---

## General Description

The BM70/71 module offers Bluetooth Low Energy solution for embedded applications. It conforms to the Bluetooth core specification version 4.2 to enhance the throughput and security for the IoT applications. It also supports Beacon technology to enhance user experience for the IoT applications and enables users to control the cloud and receive data without opening the application through a smart phone.

The BM70/71 integrated Bluetooth stack enables developers to focus the engineering resources on the application, instead of integrating Bluetooth connectivity. The BM70/71 is available in different form factor to optimize the space, cost, and RF performance. For portable and wearable applications, it provides power-optimized design to minimize the current consumption to extend the battery life.

## Applications

- Internet of Things (IoT)
- Payment/Security
- Wearable Devices
- Home and Security
- Health and Fitness
- Beacons
- Industrial and Data Logger

## Table of Contents

1.0 Device Overview .....	5
2.0 Application information .....	13
3.0 Module Configuration .....	25
4.0 Antenna .....	27
5.0 Electrical Characteristics .....	35
6.0 Packaging Information .....	41
7.0 Soldering Recommendations .....	49
8.0 Ordering Guide .....	51
Appendix A: certification notices .....	53
Appendix B: Revision History .....	59

## TO OUR VALUED CUSTOMERS

It is our intention to provide our valued customers with the best documentation possible to ensure successful use of your Microchip products. To this end, we will continue to improve our publications to better suit your needs. Our publications will be refined and enhanced as new volumes and updates are introduced.

If you have any questions or comments regarding this publication, please contact the Marketing Communications Department via E-mail at [docerrors@microchip.com](mailto:docerrors@microchip.com) or fax the **Reader Response Form** in the back of this data sheet to (480) 792-4150. We welcome your feedback.

### Most Current Data Sheet

To obtain the most up-to-date version of this data sheet, please register at our Worldwide Web site at:

<http://www.microchip.com>

You can determine the version of a data sheet by examining its literature number found on the bottom outside corner of any page. The last character of the literature number is the version number, (e.g., DS30000000A is version A of document DS30000000).

### Errata

An errata sheet, describing minor operational differences from the data sheet and recommended workarounds, may exist for current devices. As device/documentation issues become known to us, we will publish an errata sheet. The errata will specify the revision of silicon and revision of document to which it applies.

To determine if an errata sheet exists for a particular device, please check with one of the following:

- Microchip's Worldwide Web site; <http://www.microchip.com>
- Your local Microchip sales office (see last page)

When contacting a sales office, please specify which device, revision of silicon and data sheet (include literature number) you are using.

### Customer Notification System

Register on our web site at [www.microchip.com](http://www.microchip.com) to receive the most current information on all of our products.

# BM70/71

---

---

NOTES:

## 1.0 DEVICE OVERVIEW

The BM70/71 embedded 2.4 GHz Bluetooth version 4.2 BLE module is built around Microchip Technology IS1870/71 BLE SoC (System on Chip). The IS1870/71 SoC incorporates Bluetooth stack, power management subsystem, 2.4 GHz transceiver, and RF power amplifier. The user can embed Bluetooth functionality into any applications using the BM70/71 module.

The BM70/71 enables faster product development and time to market. It is designed to provide simple Bluetooth solutions with the following features:

- Simple integration and programming
- Reduced development time
- Superior wireless module with low-cost system
- Interoperability with Apple® iOS and Android™ OS
- Wide range of applications

In addition, the BM70/71 supports Beacon technology to improve user experiences in IoT applications, such as auto connection/control and data to cloud.

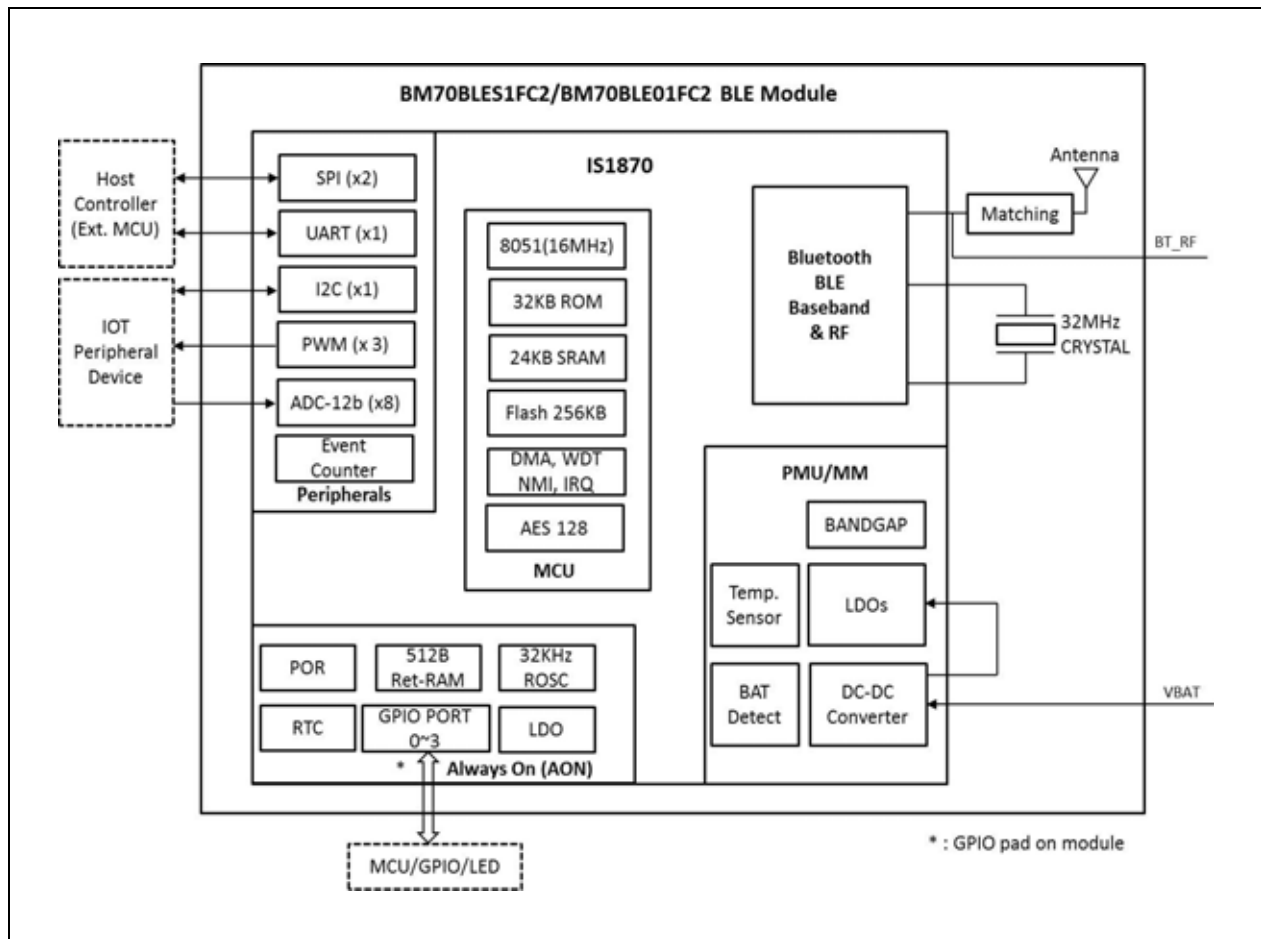
The BM70/71 can independently maintain a low-power wireless connection, and the low-power usage and flexible power management maximizes the module's lifetime in battery operated devices. Also, wide operating temperature range enables its use in indoor and outdoor environments.

The BM70/71 is a small, compact, surface mount on the host PCB with the castellated pads making the interface easy and reliable. The BM71 is relatively small form factor module targeted for applications, such as wearable sports, fitness devices and so on.

## 1.1 Interface Description

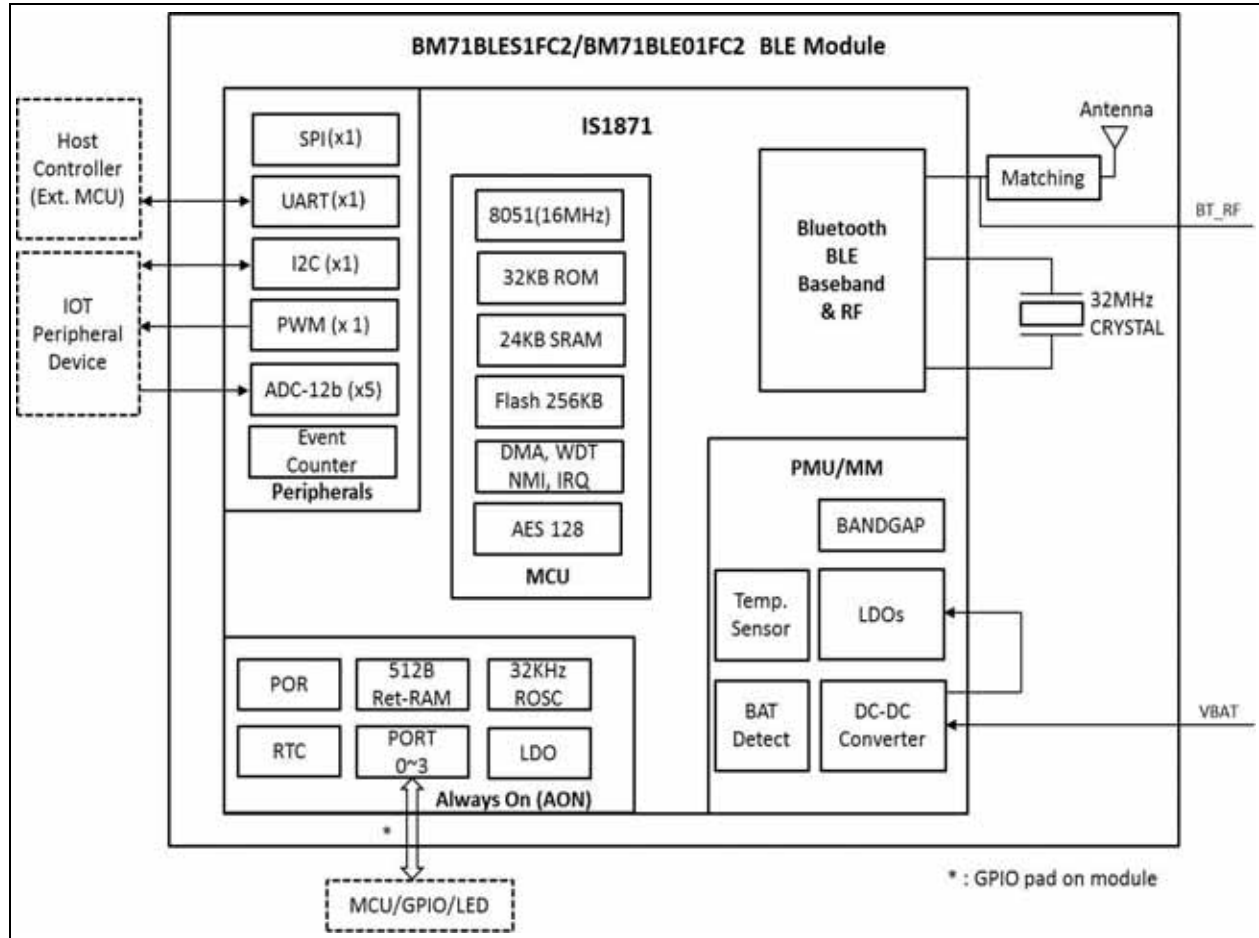
Figure 1-1 and Figure 1-2 illustrate an example of the BM70/71 module-based system. Figure 1-3 through Figure 1-6 details the pin diagrams. Table 1-1 provides pin descriptions.

**FIGURE 1-1: BM70-BASED SYSTEM BLOCK DIAGRAM**



# BM70/71

FIGURE 1-2: BM71-BASED SYSTEM BLOCK DIAGRAM





# BM70/71

FIGURE 1-5: BM71BLE01FC2 PIN DIAGRAM

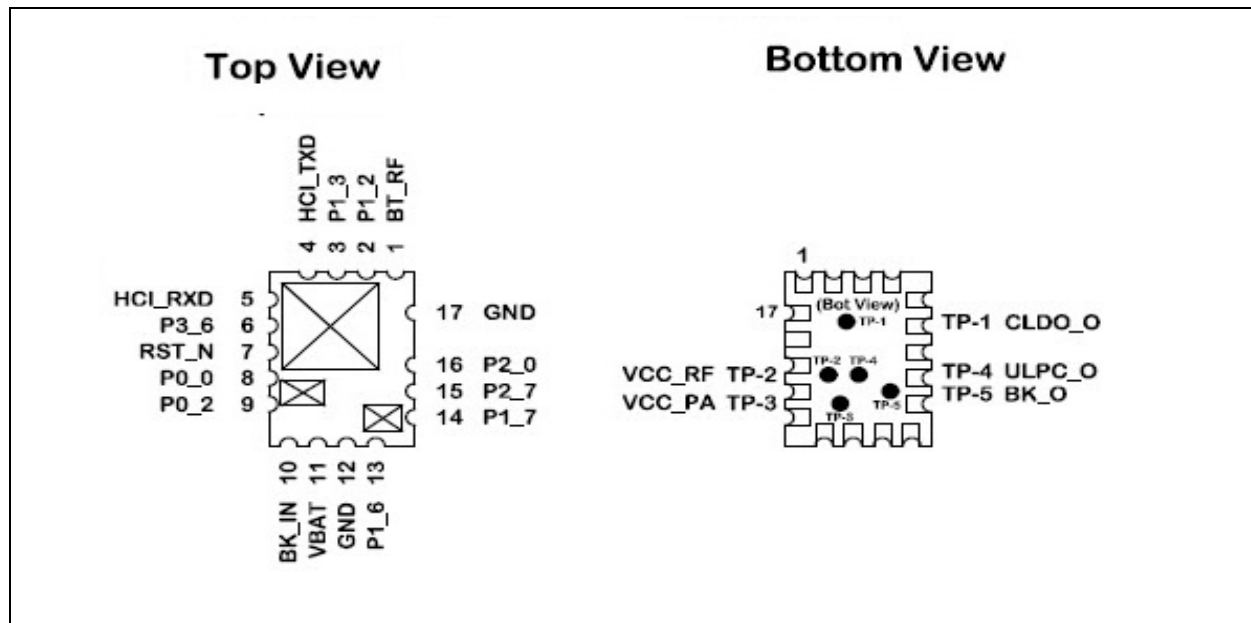
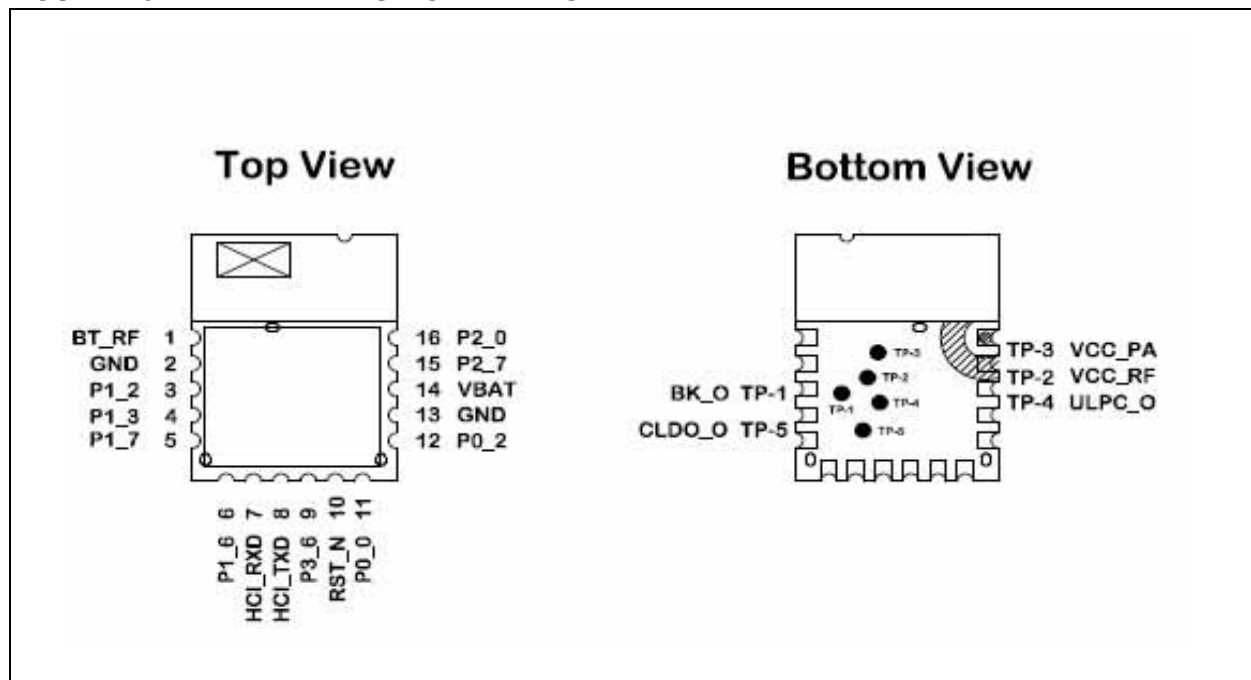


FIGURE 1-6: BM71BLES1FC2 PIN DIAGRAM





**TABLE 1-1: PIN DESCRIPTION**

BM70BLE0 1FC2	BM70BLE S1FC2	BM71BLE 01FC2	BM71BLE S1FC2	Pin Name	Type	Description
—	1	—	—	GND	Power	Ground reference
—	2	—	—	GND	Power	Ground reference
1	3	12	13	GND	Power	Ground reference
2	4	11	14	VBAT	Power	Battery input. Voltage range: 1.9V to 3.6V
—	—	10	—	BK_IN	Power	Buck input. Voltage range: 1.9V to 3.6V
3	5	—	—	P2_2	DIO	GPIO, default pull-high input PWM1
4	6	—	—	VDD_IO	Power	I/O positive supply. Do not connect. Ensure VDD_IO and MCU I/O voltage are compatible
5	7	—	—	VDD_IO	Power	I/O positive supply. Do not connect. Ensure VDD_IO and MCU I/O voltage are compatible
6	8	—	—	ULPC_O	Power	1.2V programmable ULPC LDO output for AON-logic and retention memory supply. Internal use only, do not connect to other devices.
7	9	—	—	P2_3	DI	GPIO, default pull-high input PWM2
8	10	—	—	BK_O	Power	1.55V buck output. internal use only, do not connect to other devices.
—	—	13	6	P1_6	DIO AI	P1_6 External 32.768 KHz crystal input: XI32K
—	—	14	5	P1_7	DIO AO	P1_7 External 32.768 KHz crystal output: XO32K
9	11	15	15	P2_7	DIO AI DO DO	GPIO: P2_7 ADC Input: AD14 TX_IND SPI bus: NCS2, 2 <sup>nd</sup> SPI bus (Master mode)
10	12	—	—	P1_1	DIO AI DI	GPIO: P1_1 ADC Input: AD9 SPI bus: MISO2, 2 <sup>nd</sup> SPI bus (Master mode)
11	13	2	3	P1_2	DIO AI I/O	GPIO, default pull-high input AD10 I <sup>2</sup> C SCL
12	14	3	4	P1_3	DIO AI DIO	GPIO, default pull-high input AD11 I <sup>2</sup> C SDA
13	15	8	11	P0_0	DIO AI DI	GPIO, default pull-high input AD0 UART flow-control CTS
14	16	—	—	P1_0	DIO AI	GPIO, default pull-high input AD8
15	17	6	9	P3_6	DIO DO DO	GPIO, default pull-high input PWM0 UART flow-control RTS

**Legend:** A = Analog                      D = Digital                      I = Input                      O = Output

# BM70/71

BM70BLE0 1FC2	BM70BLE S1FC2	BM71BLE 01FC2	BM71BLE S1FC2	Pin Name	Type	Description
16	18	16	16	P2_0	DI	System configuration, default pull-high input H: Application mode L: Test mode
17	19	—	—	P2_4	DIO	GPIO, default pull-high input
18	20	—	—	NC	—	No connection
19	21	7	10	RST_N	DI	Module Reset (active-low) (internal pull-up)
20	22	5	7	HCI_RXD	DI	HCI UART data input
21	23	4	8	HCI_TXD	DO	HCI UART data output
22	24	—	—	P3_1	DIO DO	GPIO: P3_1 SPI bus: NCS, SPI Flash: CSN
23	25	—	—	P3_2	DIO DO	GPIO: P3_2 SPI bus: MISO, SPI Flash: SDO
24	26	—	—	P3_3	DIO DI	GPIO: P3_3 SPI bus: MOSI, SPI Flash: SDI
25	27	—	—	P3_4	DIO DO	GPIO: P3_4 SPI bus: SCLK, SPI Flash: SCK
26	28	—	—	P3_5	DIO DO	GPIO, default pull-high input LED1
27	29	—	—	P0_7	DIO AI	GPIO, default pull-high input AD7
28	30	9	12	P0_2/LED	DIO AI	P02 AD2
29	31	17	2	GND	Power	Ground reference
—	32	—	—	GND	Power	Ground reference
30	—	1	1	BT_RF	AI	External antenna connection (50 Ω)
—	33	—	—	GND	Power	Ground reference

**Legend:** A = Analog                      D = Digital                      I = Input                      O = Output

Table 1-2 provides the BM70/71 hardware feature details and BLE Development Kit Version 3 (BLEDK3) application features.

**TABLE 1-2: BM70/71 HARDWARE AND BLEDK3 FEATURES**

Feature/ Modules	BM70BLES1		BM70BLE01		BM71BLES1		BM71BLE01	
	Module H/W	BLEDK3	Module H/W	BLEDK3	Module H/W	BLEDK3	Module H/W	BLEDK3
UART	1	1	1	1	1	1	1	1
GPIO <sup>(2)</sup>	18	13	18	13	9	4	9	4
12-bit ADC Channels	8	6	8	6	5	3	5	3
PWM	3	2	3	2	1	0	1	0
SPI	2	0	2	0	1	0	1	0
I <sup>2</sup> C	1	0	1	0	1	0	1	0
Total Pins	33	—	30	—	16	—	17	—
On-board Antenna with Shielded Can	Yes	—	—	—	Yes	—	—	—
No Antenna	—	—	Yes	—	—	—	Yes	—
Government Regulatory RF Certified	Yes	—	—	—	—	—	—	—
Size (mm)	12x22x2.4	—	12x15x1.6	—	9x11.5x2.1	—	6x8x1.6	—

- Note 1:** The GPIO, ADC and PWM pin numbers in the BLEDK3 application is calculated by taking out the default pins of UART peripherals and LED indication, which are listed in [Table 1-4](#) and [Table 1-5](#).
- 2:** For detailed GPIO configuration example for BLEDK3 Manual Pattern, refer to the "BLEDK3 Manual Pattern User's Guide".

# BM70/71

Table 1-3 lists the details of the test pads used for the production test on the bottom of the BM70/71. Table 1-4 and Table 1-5 provide GPIO pin connection details.

**TABLE 1-3: TEST PADS DETAILS**

BM70BLE 01FC2	BM70BLE S1FC2	BM71BLE 01FC2	BM71BLE S1FC2	Pin Name	Type	Description
TP-1	TP-1	TP-3	TP-3	VCC_PA	Power	1.55 V RF PA LDO
TP-2	TP-2	TP-1	TP-5	CLDO_O	Power	1.2 V CLDO output
TP-3	TP-3	TP-2	TP-2	VCC_RF	Power	1.2 V RF LDO output
—	—	TP-4	TP-4	ULPC_O	Power	1.2 V ULPC LDO output
—	—	TP-5	TP-1	BK_O	Power	1.55 V buck output

**TABLE 1-4: BM70 GPIO CONFIGURATION**

GPIO Pins	Connection details
P2_0	System Configuration
P0_2	LED0
P0_0	UART_CTS
P2_7	UART_RX_IND
P3_6	UART_RTS

**TABLE 1-5: BM71 GPIO CONFIGURATION**

GPIO Pins	Connection details
P2_0	System Configuration
P0_2	LED0
P0_0	UART_CTS
P2_7	UART_RX_IND
P3_6	UART_RTS

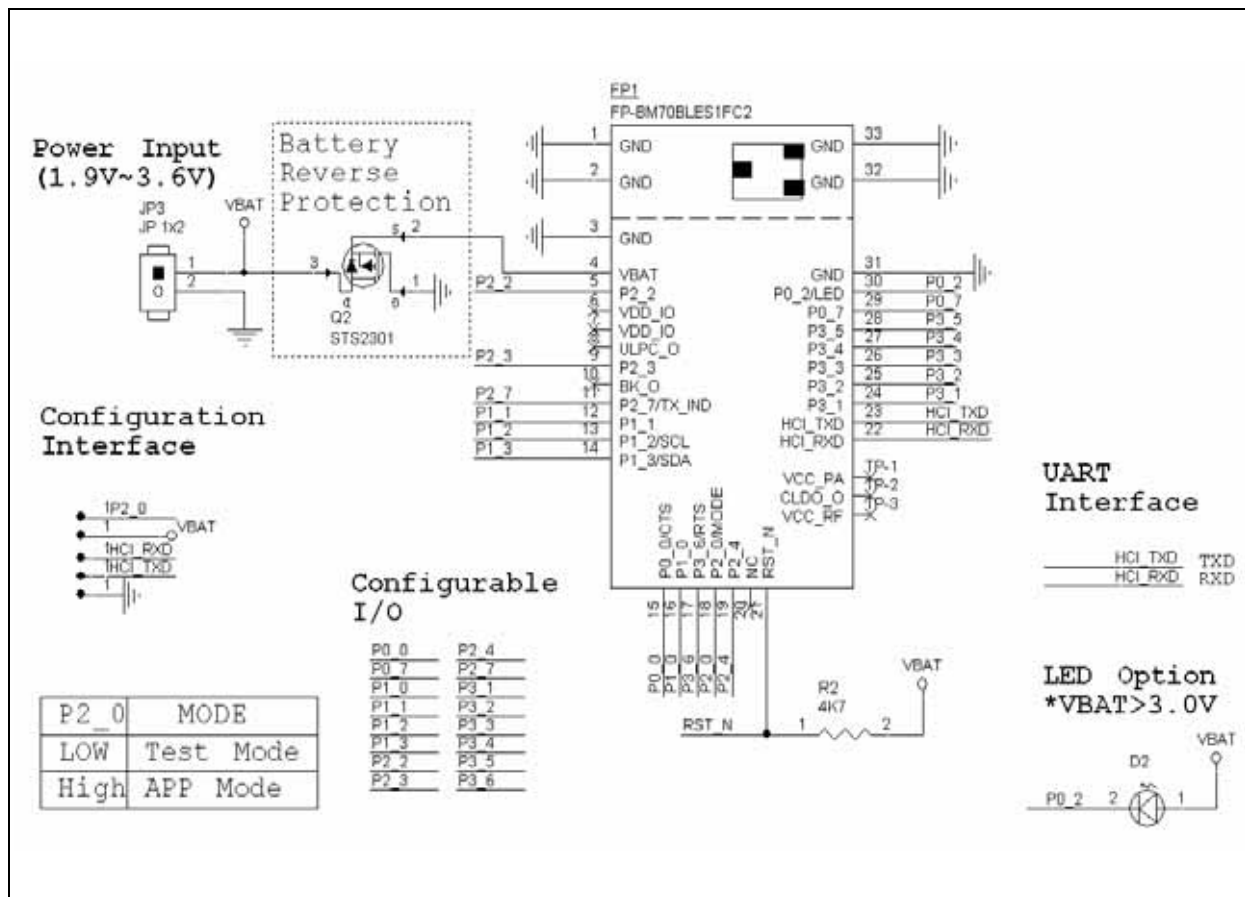
## 2.0 APPLICATION INFORMATION

### 2.1 Reference Schematics

Figure 2-1 through Figure 2-4 illustrate the BM70/71 reference circuits for various Stock Keeping Units (SKUs). The GPIOs are configurable and the connection depends on the user's application circuit.

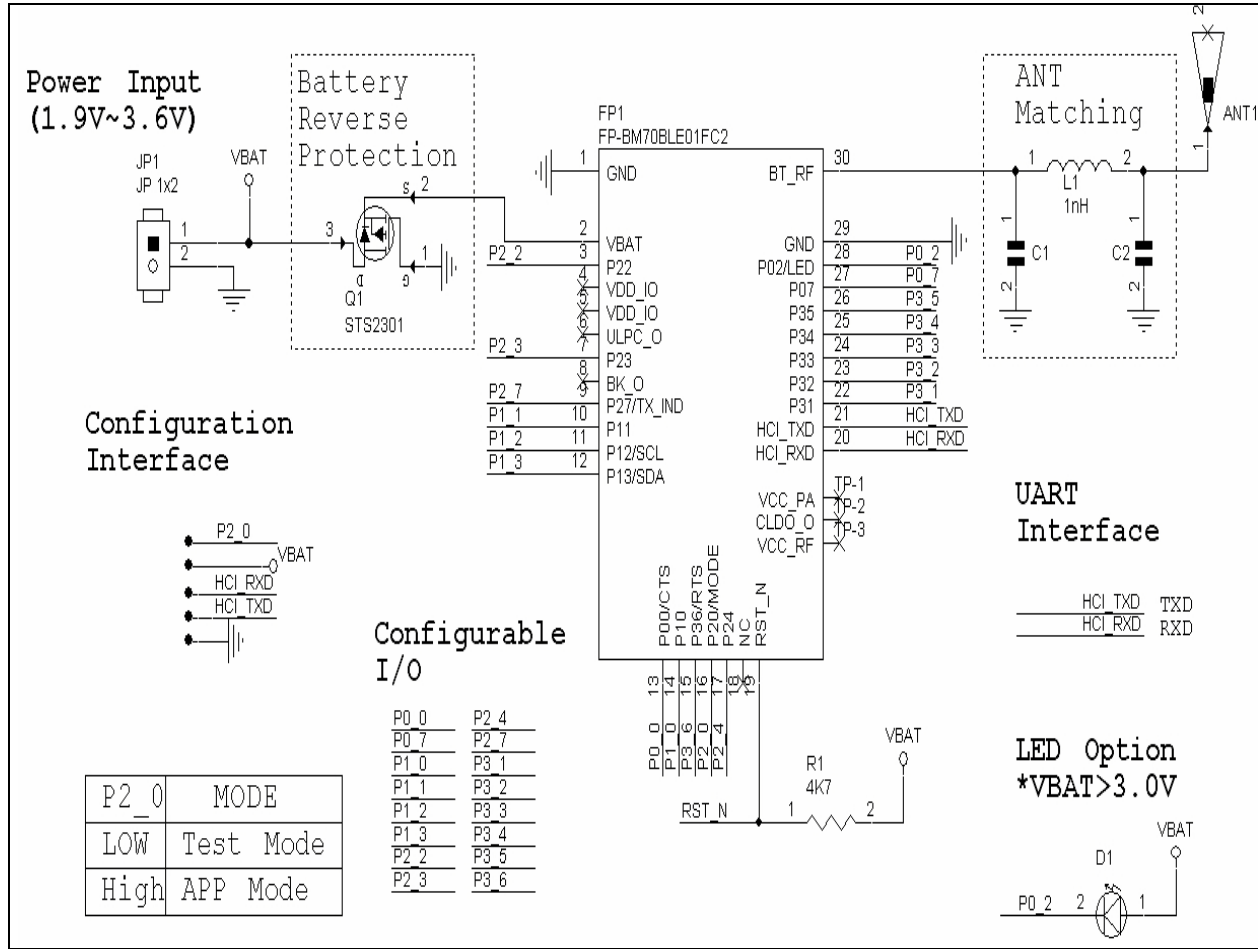
The power input range is 1.9V~3.6V. If battery is used, the battery reverse protection circuit is recommended. The VDD\_IO voltage is same as power input. If LED is used, ensure that the voltage is more than 3V to drive the LED. It is recommended to implement the RF antenna matching circuit as shown in Figure 2-2 and Figure 2-3 to fine tune the antenna impedance matching.

FIGURE 2-1: BM70BLES1FC2 REFERENCE CIRCUIT

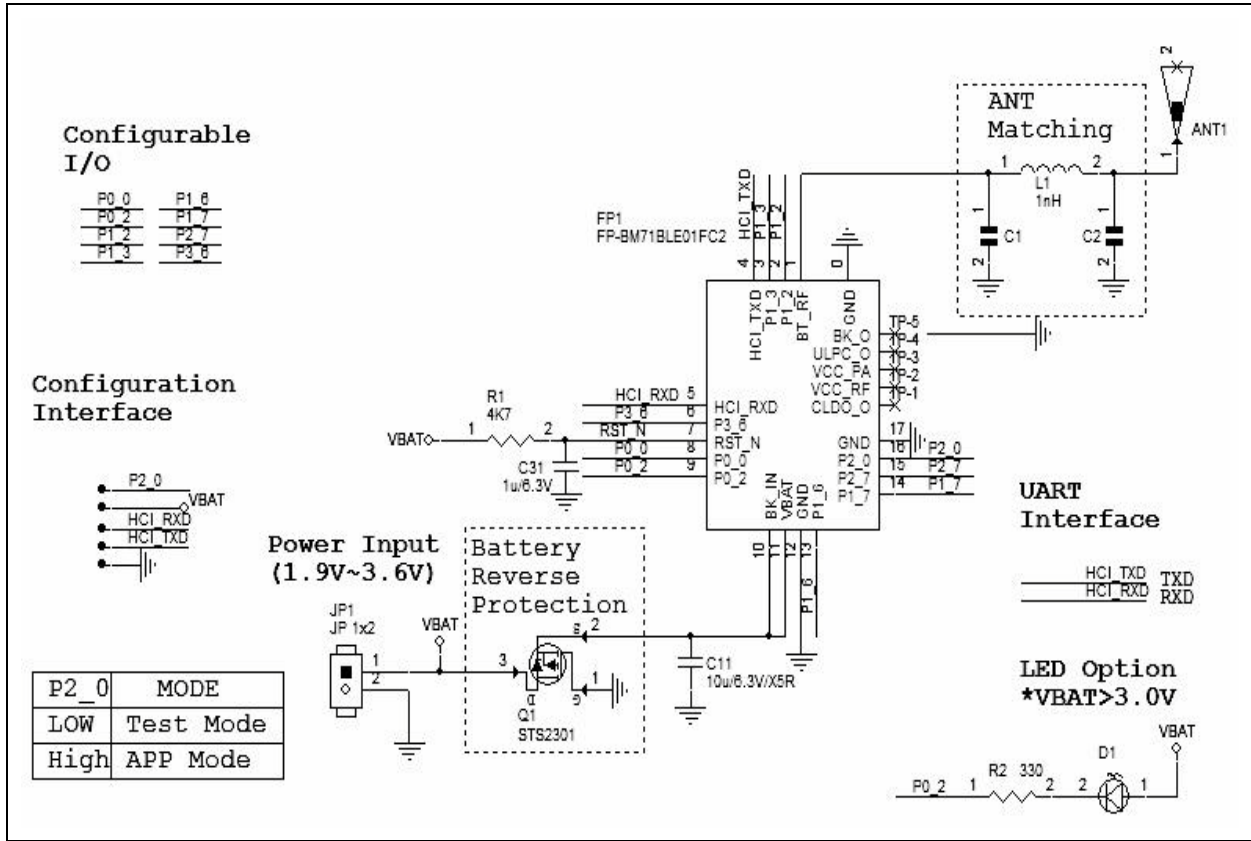


# BM70/71

**FIGURE 2-2: BM70BLE01FC2 REFERENCE CIRCUIT**

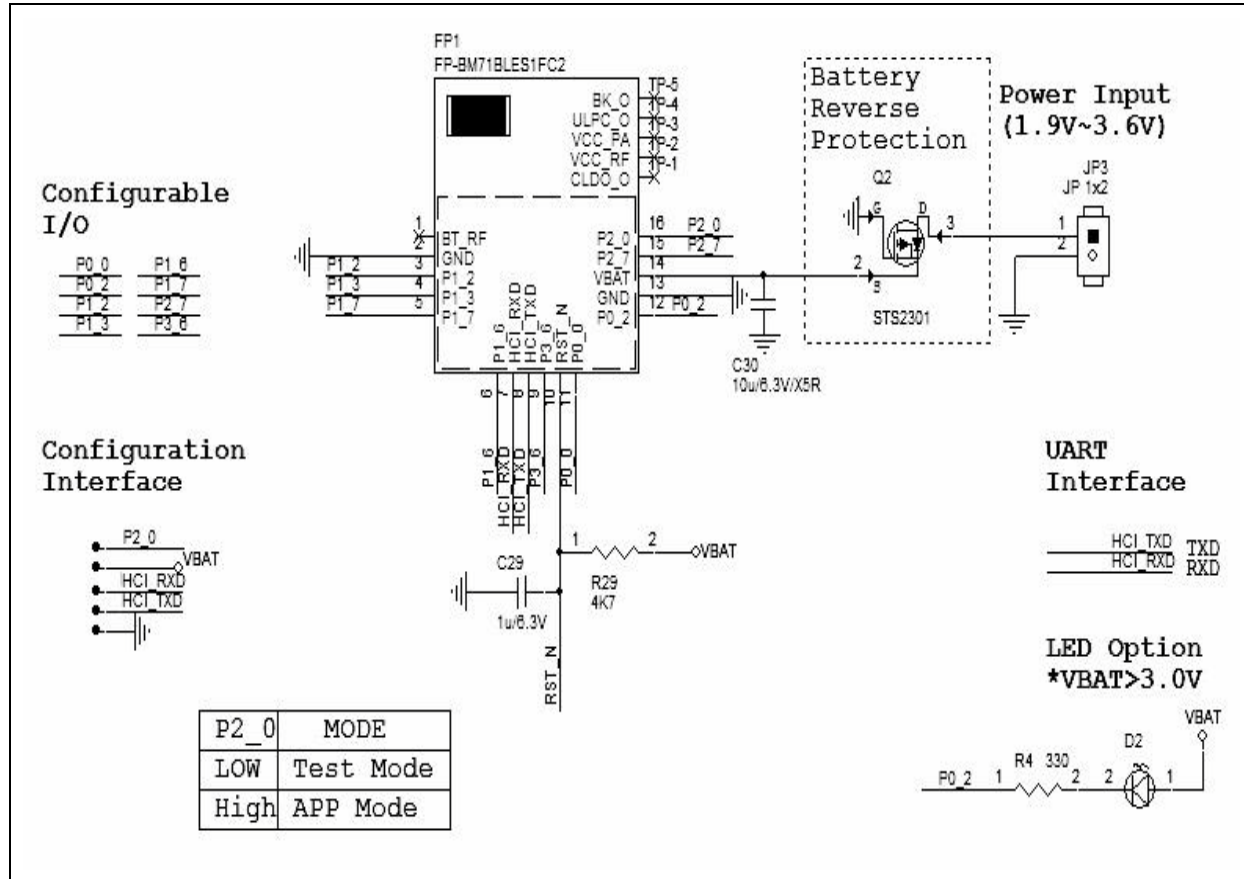


**FIGURE 2-3: BM71BLE01FC2 REFERENCE CIRCUIT**



# BM70/71

FIGURE 2-4: BM71BLES1FC2 REFERENCE CIRCUIT



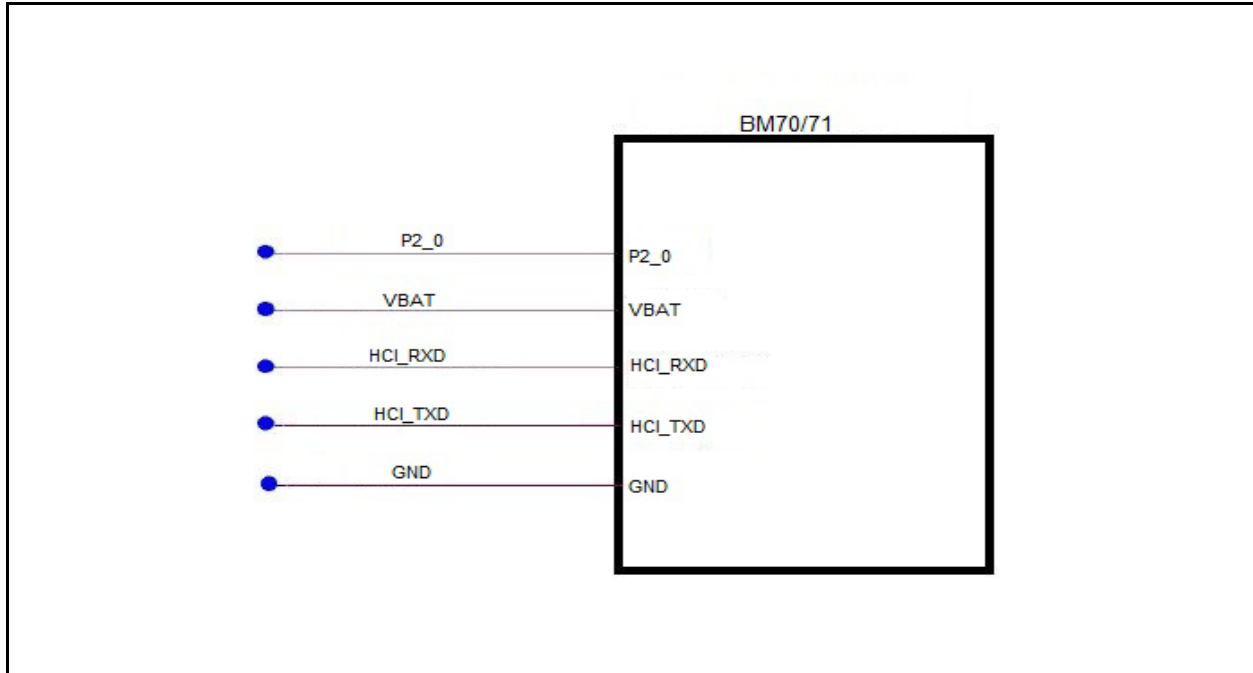


## 2.2 External Configuration and Programming

The BM70/71 can be configured and programmed using an external configuration and programming tool. [Figure 2-5](#) illustrates the test points that must be included on the host PCB for the development.

Configuration and programming modes can be entered according to the system configuration I/O pins. For additional information, refer to [Section 3.4 “System Configuration”](#).

**FIGURE 2-5: EXTERNAL CONFIGURATION AND PROGRAMMING**



# BM70/71

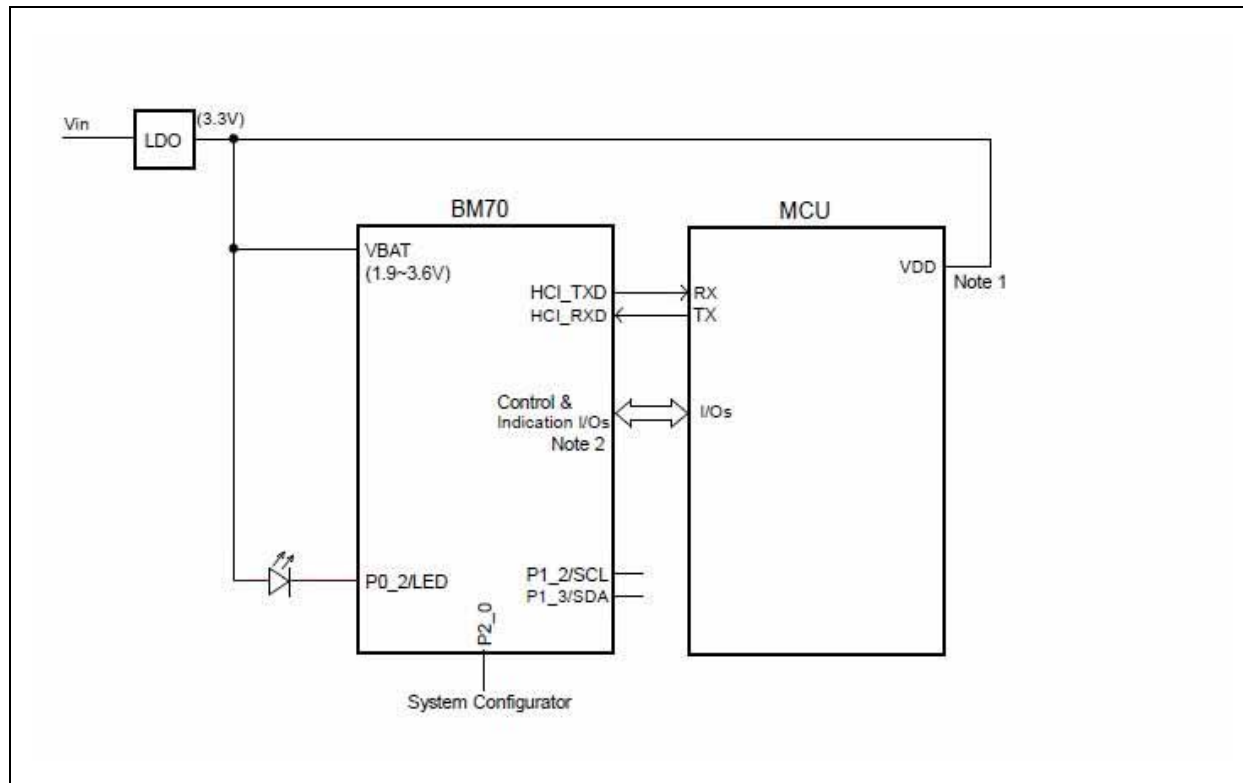
## 2.3 Host MCU Interface

### 2.3.1 HOST MCU INTERFACE OVER UART

Figure 2-6 and Figure 2-7 illustrate the BM70/71 to host MCU interface over UART. The Host Control Interface (HCI) UART lines are used to communicate

between the BM70/71 and MCU. The interface also illustrates the power scheme using a 3.3V Low-Drop Out (LDO) regulator that supply 3.3V to the BM70/71 (BAT\_IN) and MCU VDD. This power scheme ensures that the BM70/71 and MCU I/O voltages are compatible.

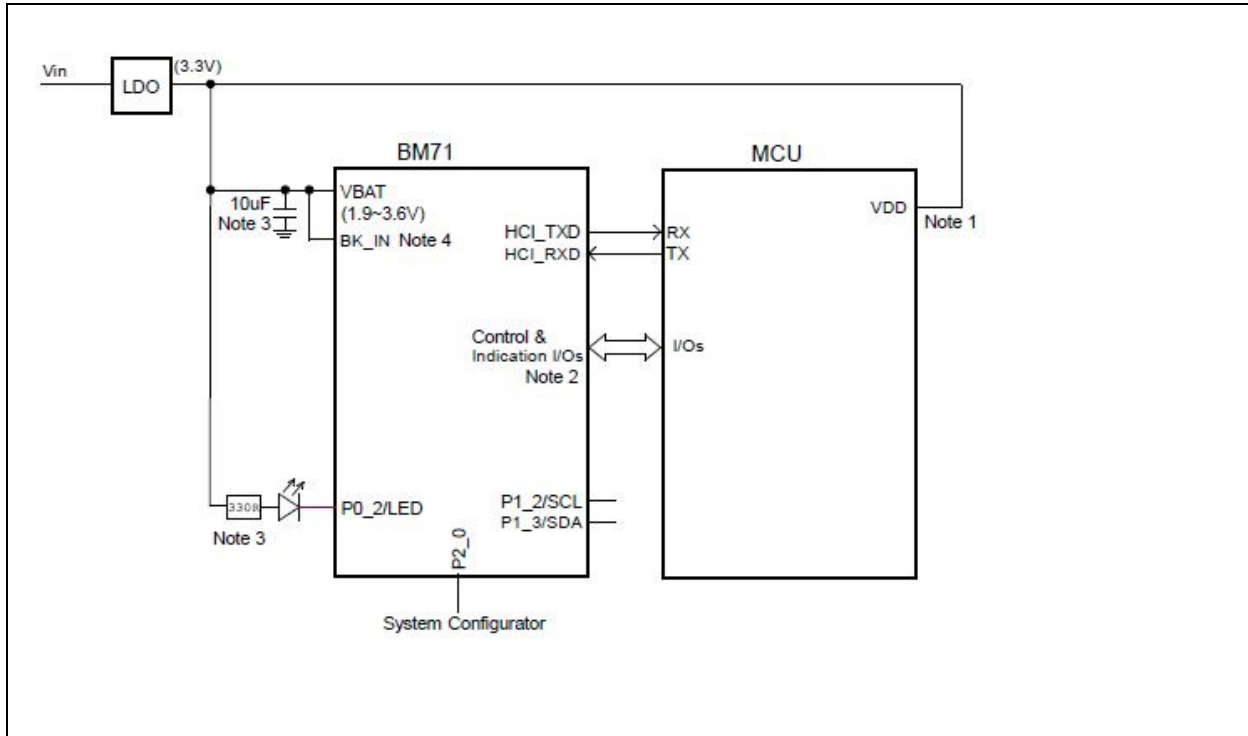
**FIGURE 2-6: BM70 TO MCU INTERFACE**



**Note 1:** Ensure  $V_{DD\_IO}$  and MCU  $V_{DD}$  voltages are compatible.

**Note 2:** Control and indication ports are configurable.

**FIGURE 2-7: BM71 TO MCU INTERFACE**



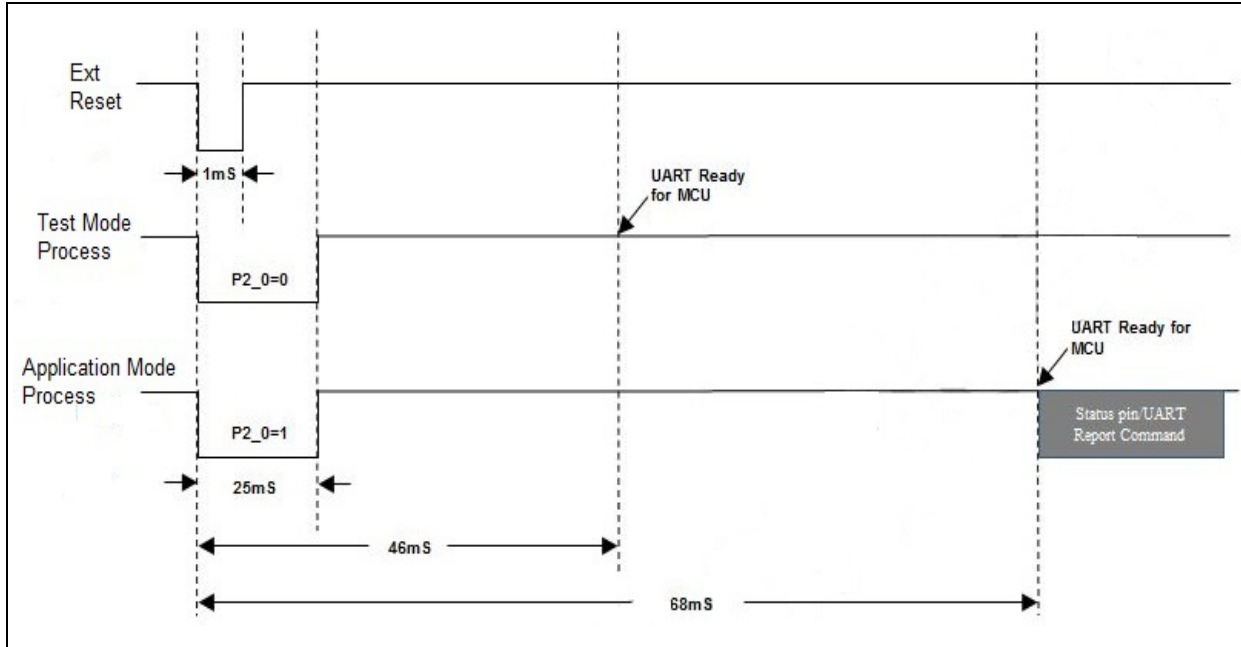
- Note 1:** Ensure VDD\_IO and MCU VDD voltages are compatible.
- Note 2:** Control and indication ports are configurable.
- Note 3:** 10  $\mu$ F (X5R) and 330  $\Omega$  resistor are required for the BM71 module.
- Note 4:** BK\_IN connect to VBAT for BM71BLE01FC2.

# BM70/71

## 2.3.2 UART READY AFTER EXTERNAL RESET

In MCU applications, the time between Reset/power-on and the BM70/71 UART port read must be notified. Figure 2-8 illustrates the timing of the BM70/71 UART port ready for Test mode and Application mode after Reset.

**FIGURE 2-8: TIMING DIAGRAM OF BM70/71 UART READY FOR TEST MODE AFTER RESET**



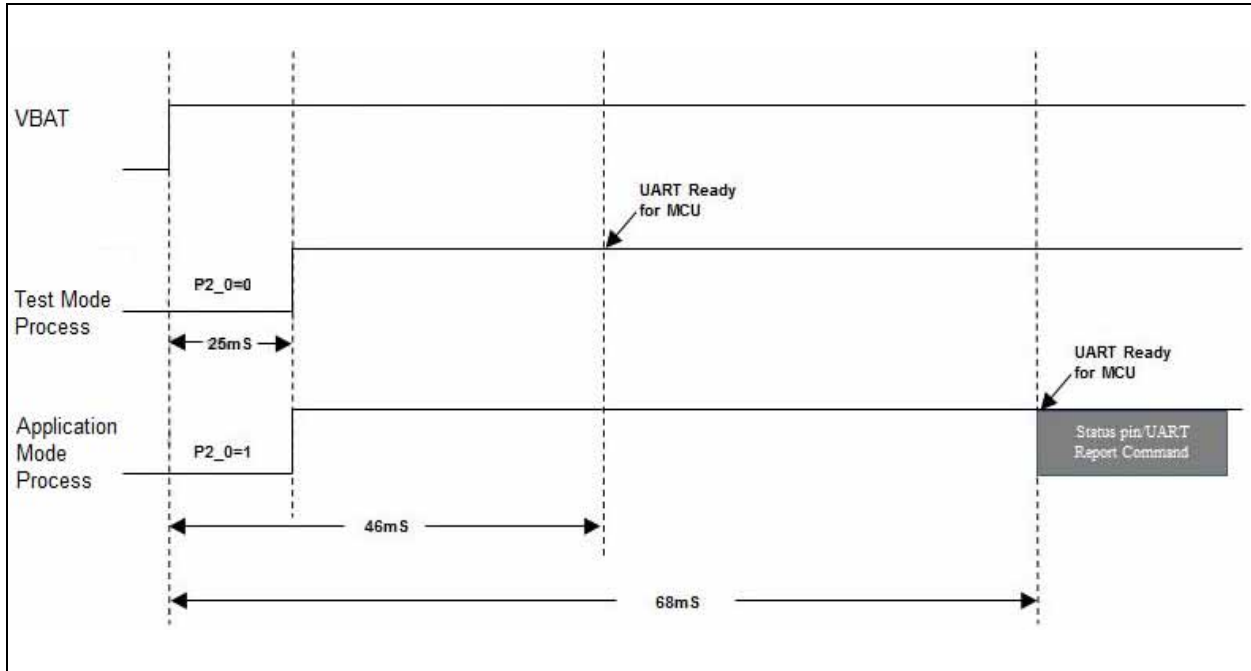
## 2.3.3 UART READY AFTER POWER-ON RESET

Figure 2-9 illustrates the timing of the BM70/71 UART port ready for Test mode and Application mode after Power-on Reset (POR).

In Application mode, when the BM70/71 is ready to communicate with the host MCU after Reset, the BM70/71 will have either Standby mode which is indi-

cated by the status pin, or a status report UART command which is sent to inform the MCU that the BM70/71 is ready for communication.

**FIGURE 2-9: TIMING DIAGRAM OF BM70 UART READY FOR TEST MODE AFTER POWER ON**



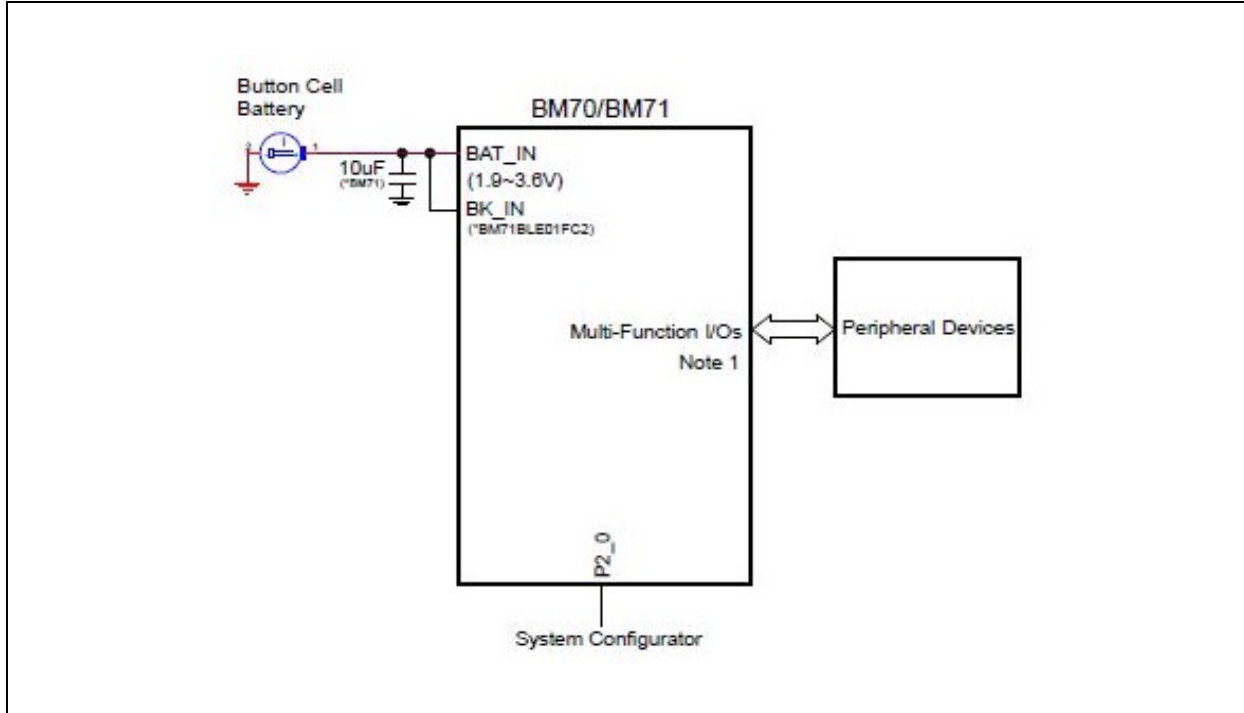
# BM70/71

## 2.4 Standalone Configuration

Figure 2-10 illustrates the standalone configuration for the BM71BLE01FC2 module. It also illustrates an application using a coin cell battery at VBAT input. For

the BM71, a 10 uF capacitor (X5R/X7R) is applied to the BAT\_IN pin. The BK\_IN pin of the BM71BLE01FC2 module must be connected to the BAT\_IN pin.

FIGURE 2-10: BM71 STANDALONE CONFIGURATION

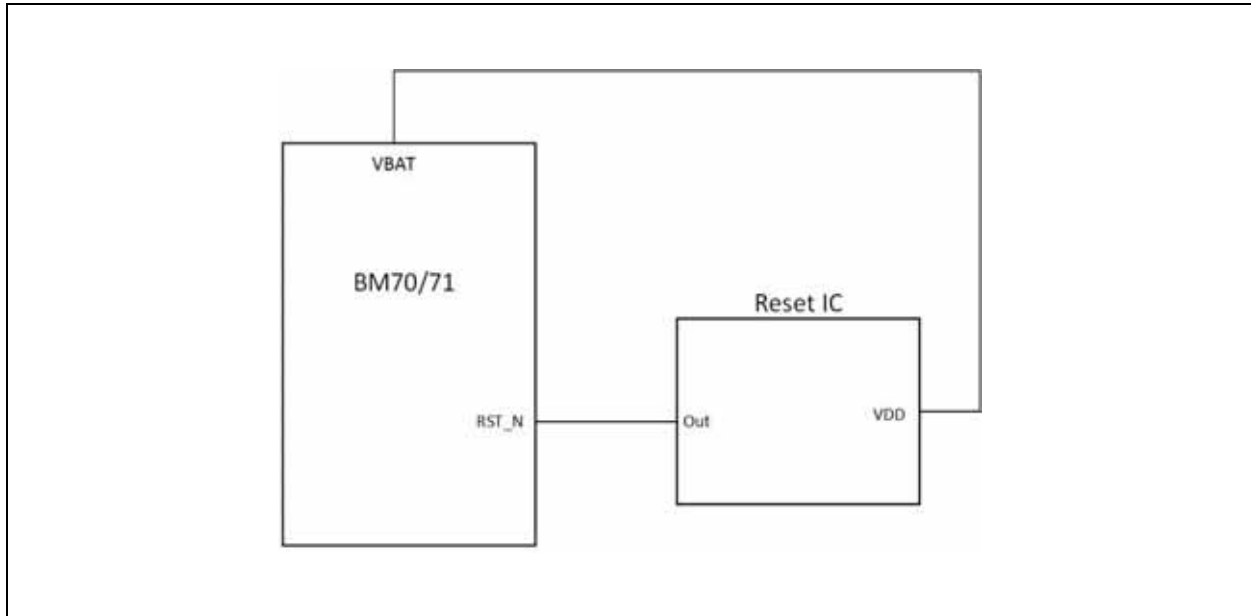


**Note 1:** Application includes ADC, PWM(BM70), I<sup>2</sup>C, and SPI bus interface.

## 2.5 Power-Drop Protection

To prevent the BM70/71 from disruptions, when voltage drops to less than 1.9V, an 'Open Drain' Reset chip with delay time 10 ms that triggers Reset at 1.8V output voltage is recommended. [Figure 2-11](#) illustrates the Reset circuit block diagram.

**FIGURE 2-11: RESET CIRCUIT BLOCK DIAGRAM**



# BM70/71

---

NOTES:



## 3.0 MODULE CONFIGURATION

The BM70/71 features and services can be configured using the Windows UI Configuration tool. For additional information, refer to the “*Windows UI Configuration tool User Guide*”.

### 3.1 UART Interface

The BM70/71 UART pins, TXD and RXD, are connected to the UART pins of the host MCU. It is recommended to use hardware flow control pins, RTS and CTS. By default, the BM70/71 hardware flow control is disabled, and users must configure the pin to enable the same. The UART baud rate is configurable.

### 3.2 Control and Indication I/O Pins

The I/O pins on the BM70/71 are configurable as either control or indication signal. The control signals are input to the BM70/71 and the indication signals are output from the BM70/71. [Table 3-1](#) provides configurable I/O pin assignment details to control and indication signals of the BM70 BLEDK3 (BLE Development Kit V3) application. For different BM70/71 applications, the I/O pin assignment is different. For additional information related to I/O pin assignment, refer to the “*Windows UI Configuration tool User Guide*”.

**TABLE 3-1: CONFIGURATION AND INDICATION I/O ASSIGNMENTS FOR BM70 BLEDK3 APPLICATIONS**

	N/C	LOW_BATTERY_IND	RSSI_IND	LINK_DROP	UART_RX_IND	PAIRING_KEY	RF_ACTIVE_IND	BLEDK_STATUS1_IND (*Note)	BLEDK_STATUS2_IND (*Note)
P1_0									Default
P3_1			Default						
P3_2				Default					
P3_3					Default				
P3_4						Default			
P0_7		Default							
P1_1								Default	
P2_2	Default								
P2_4	Default								
P3_5	Default								

**Note:** For additional information on the BLEDK application status, refer to the “*BLEDK3 Release Notes*.”

# BM70/71

---

Table 3-2 provides pin assignment details for the BM70 BLEDK3 application.

**TABLE 3-2: PIN ASSIGNMENT FOR BM70 BLEDK3 APPLICATION**

Pin Name	Pin Assignment
P3_6	UART_RTS
P0_0	UART_CTS
P2_7	TX_IND
P1_2	I <sup>2</sup> C_SCL
P1_3	I <sup>2</sup> C_SDA
P0_2	LED0

### 3.3 Reset (RST\_N)

The Reset input pin (RST\_N) is used to Reset the BM70/71 with an active-low pulse with a minimum pulse width of 63 ns.

### 3.4 System Configuration

The P2\_0 pin places the BM70/71 into operation modes as shown in Table 3-3. The P2\_0 pin has an internal pull-up.

**TABLE 3-3: SYSTEM CONFIGURATION SETTINGS**

P2_0	Operational Mode
High	Application mode
Low	Test mode (Write UI/Flash: Firmware Programming)

## 4.0 ANTENNA

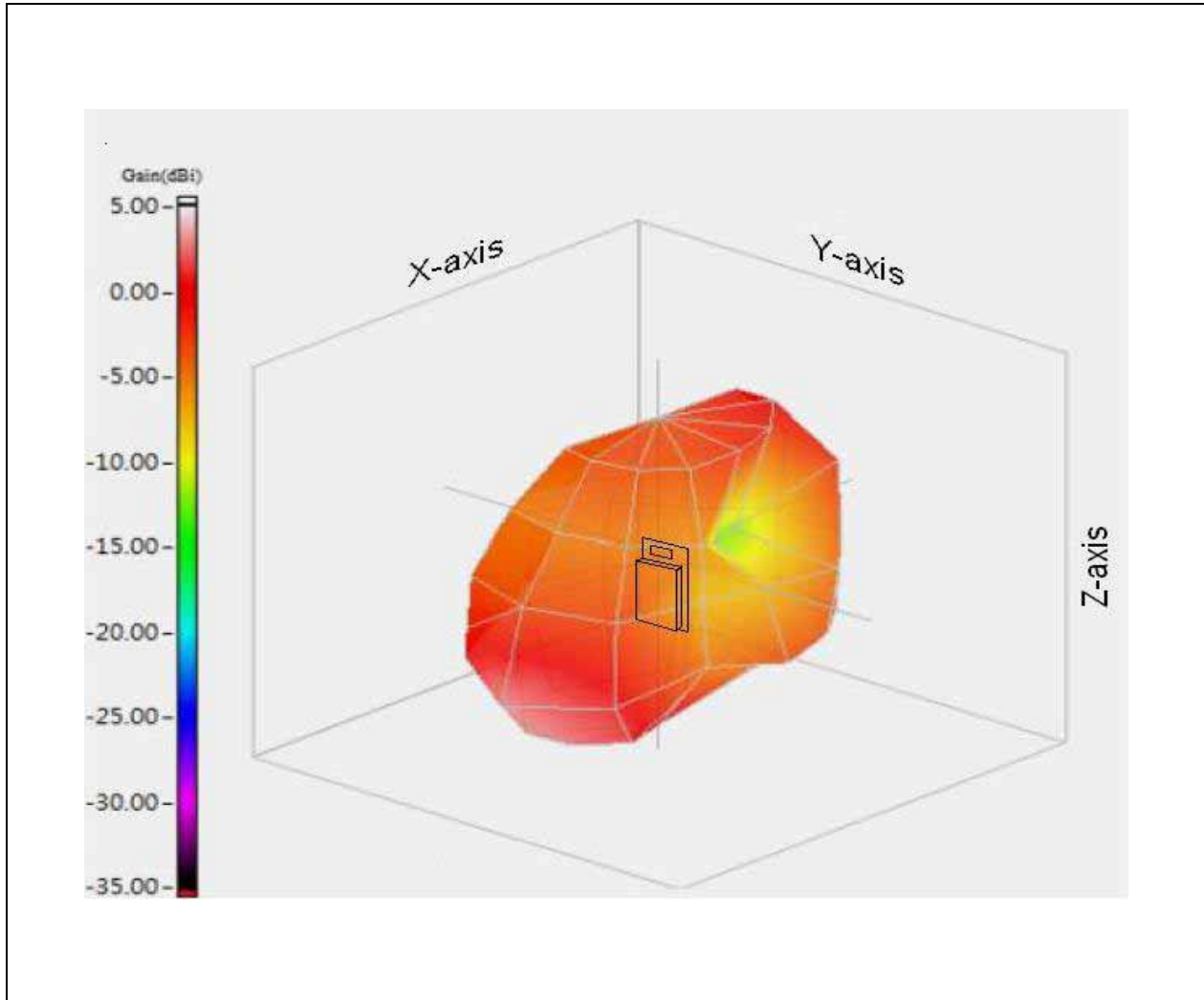
### 4.1 Antenna Characteristics

Table 4-1 provides the BM70BLES1FC2 module antenna characteristics.

#### 4.1.1 BM70BLES1FC2 CERAMIC CHIP ANTENNA

The BM70BLES1FC2 module contains an integral ceramic chip antenna. The Figure 4-1 illustrates the antenna performance of the BM70BLES1FC2.

**FIGURE 4-1: BM70BLES1FC2 ANTENNA RADIATION PATTERN**



**TABLE 4-1: BM70BLES1FC2 ANTENNA CHARACTERISTICS**

Parameter	Values
Frequency	2442 MHz
Peak Gain	4.7 dBi
Efficiency	56.9%

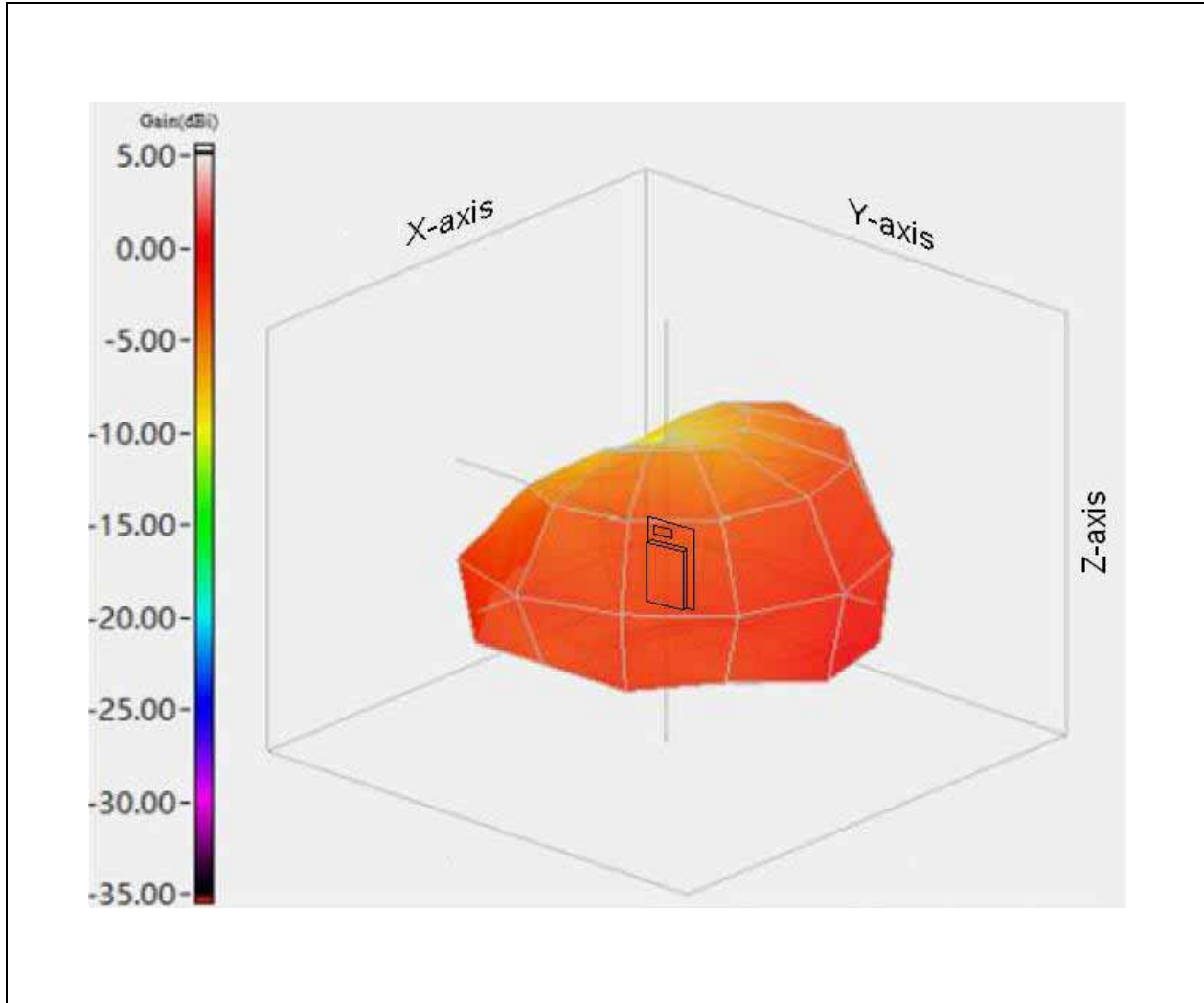
# BM70/71

## 4.1.2 BM71BLES1FC2 CERAMIC CHIP ANTENNA

Table 4-2 provides the BM71BLES1FC2 antenna characteristics.

The BM71BLES1FC2 module contains an integral ceramic chip antenna. The Figure 4-2 illustrates the antenna performance of the BM71BLES1FC2 module.

**FIGURE 4-2: BM71BLES1FC2 ANTENNA RADIATION PATTERN**



**TABLE 4-2: BM71BLES1FC2 ANTENNA CHARACTERISTICS**

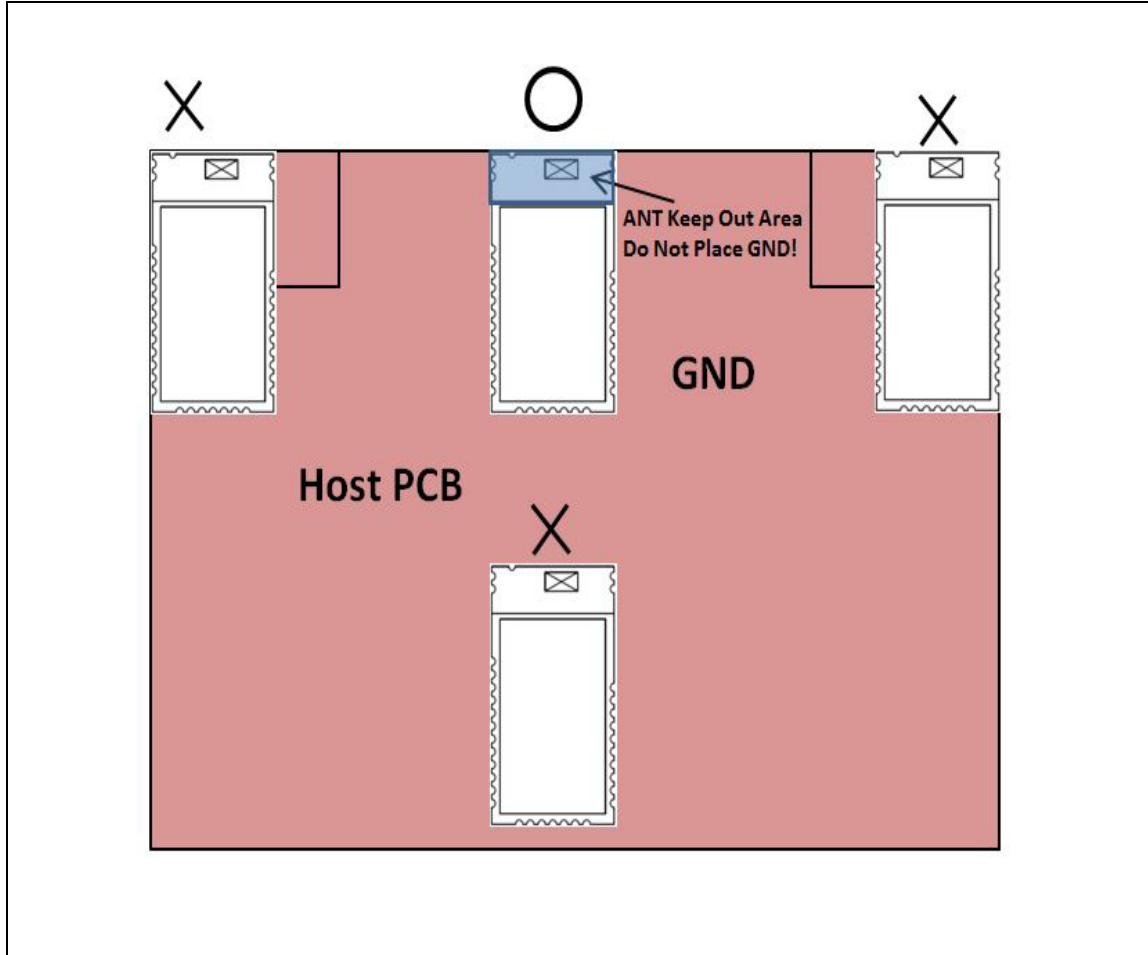
Parameter	Values
Frequency	2442 MHz
Peak Gain	0.1 dBi
Efficiency	42.7%

## 4.2 Antenna Placement

For a Bluetooth wireless product, antenna placement affects the whole system performance. The antenna needs free space to transmit RF signals and cannot be

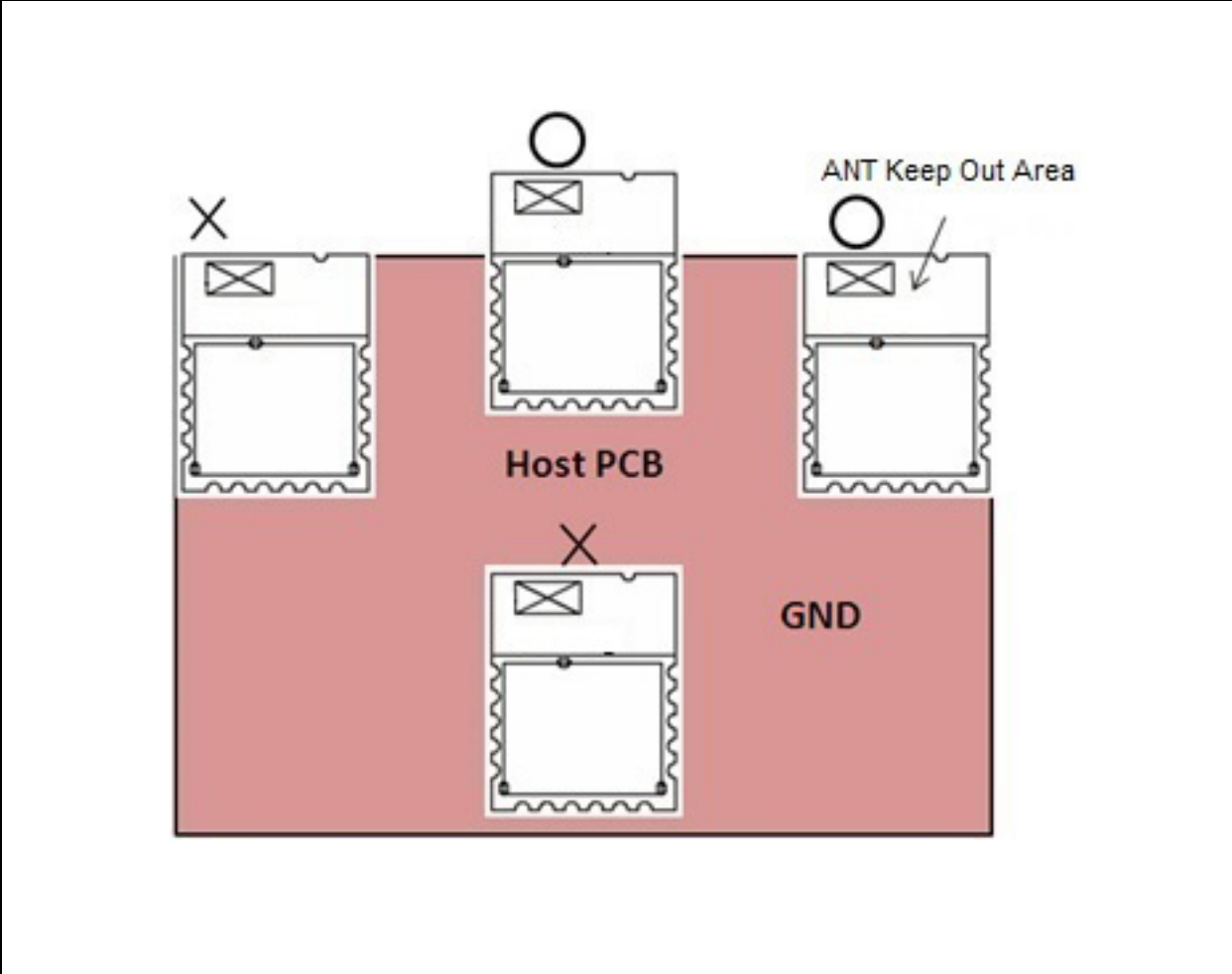
surrounded by the GND plane. [Figure 4-3](#) and [Figure 4-4](#) illustrate a typical example of the antenna placement on the main application board with ground plane.

**FIGURE 4-3: BM70BLES1FC2 ANTENNA PLACEMENT RECOMMENDATION**



# BM70/71

FIGURE 4-4: BM71BLES1FC2 ANTENNA PLACEMENT RECOMMENDATION



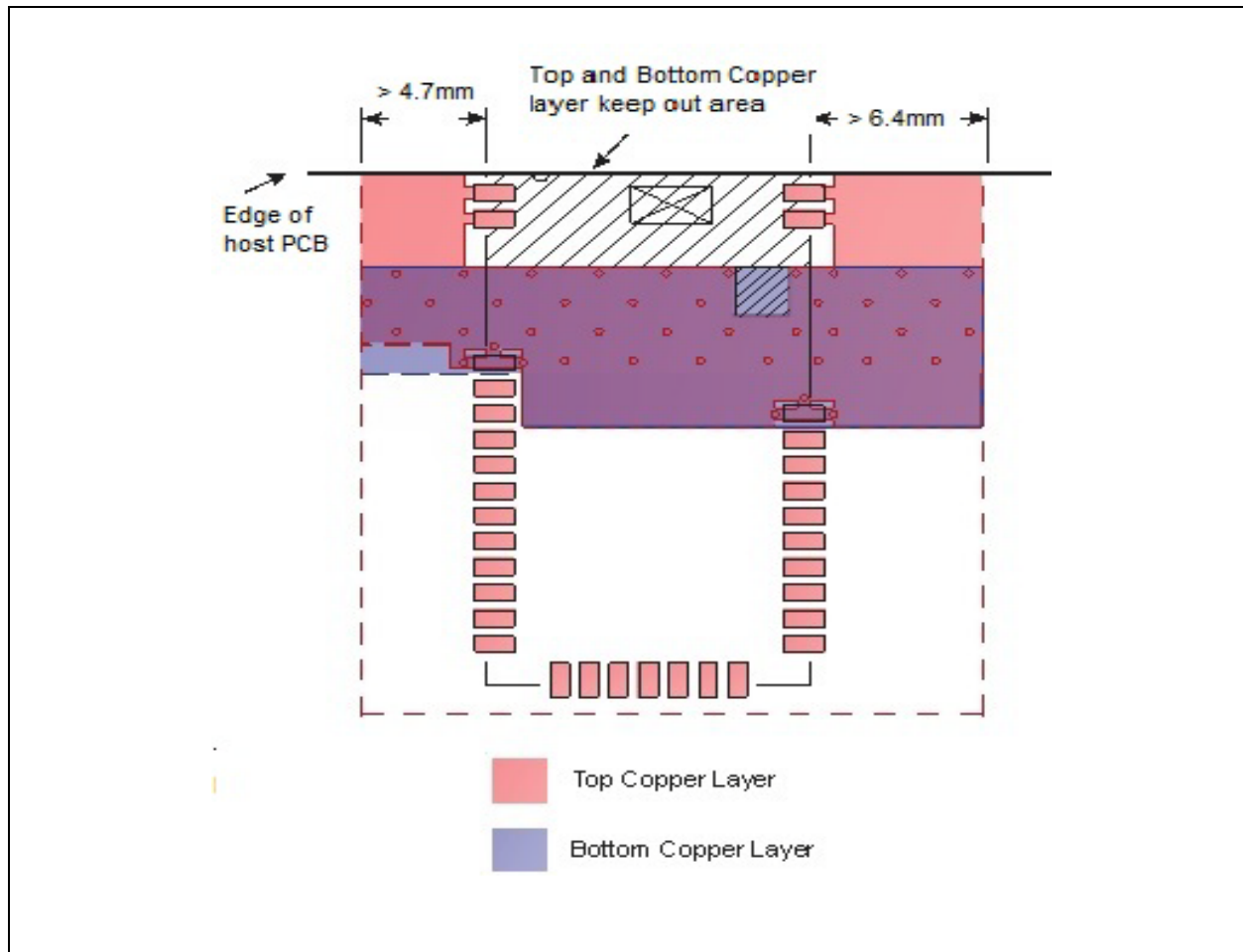
## 4.3 Host PCB Mounting Suggestion

### 4.3.1 BM70BLES1FC2 HOST PCB MOUNTING

Figure 4-5 illustrates the host PCB mounting suggestions for the BM70BLES1FC2 module, and it shows minimum ground plane area to the left and right of the module for best antenna performance.

While designing the host PCB, the area under the antenna should not contain any top, inner, or bottom copper layer. A low-impedance ground plane ensures the best radio performance (best range, low noise). The ground plane can be extended beyond the minimum recommended as required for the host PCB EMC noise reduction. For best range performance, keep all external metal away by minimum 30 mm from the ceramic chip antenna.

**FIGURE 4-5: BM70BLES1FC2 HOST PCB MOUNTING SUGGESTION**



# BM70/71

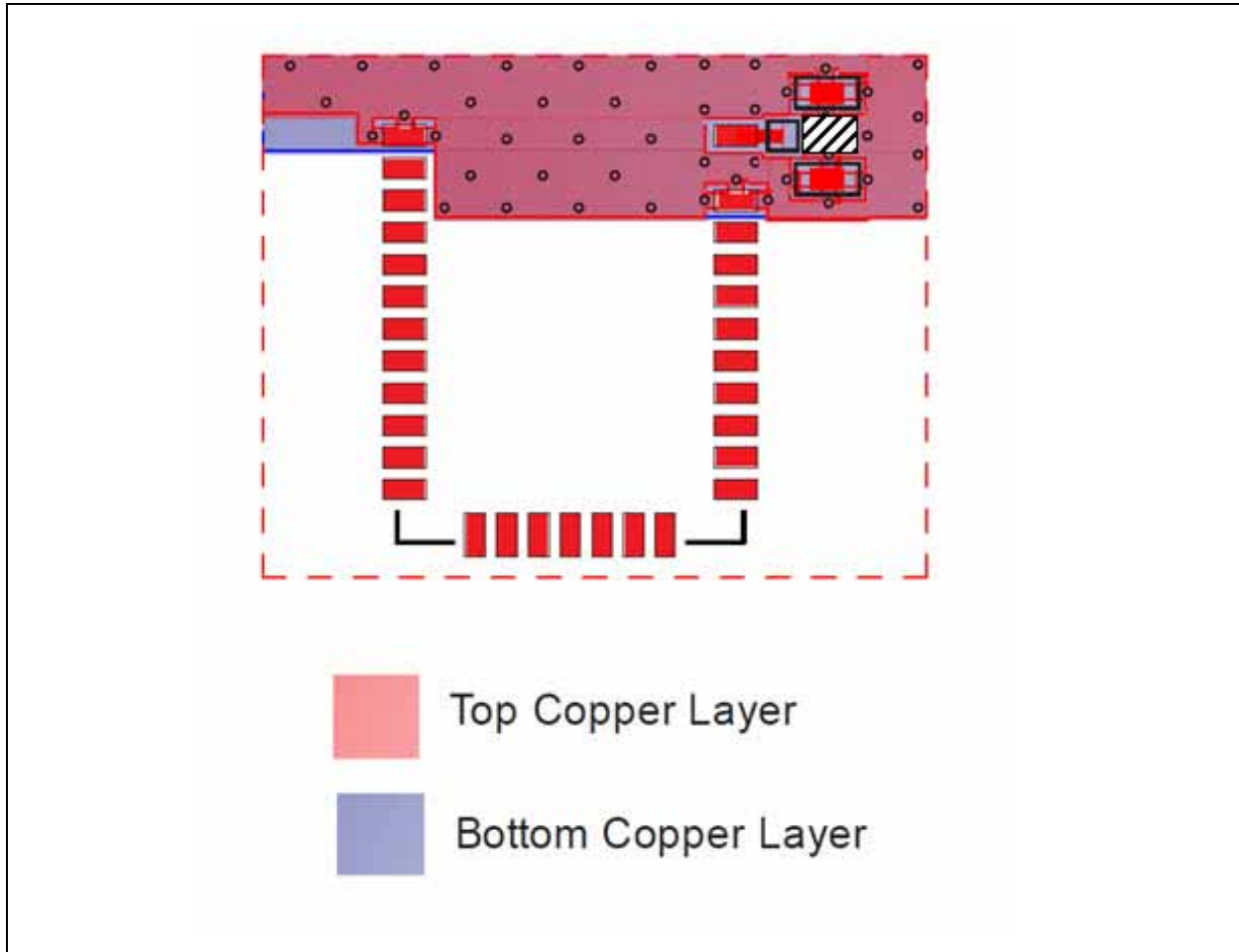
## 4.3.2 BM70BLE01FC2 HOST PCB MOUNTING

Figure 4-6 illustrates the mounting suggestions for the BM70BLE01FC2 module and it also shows a connection to UFL connector. A low-impedance ground plane will ensure the best radio performance (best range, low noise).

The pin\_30 (BT\_RF) is connected to an external antenna connector, a PCB trace antenna, or a component (ceramic chip) antenna through a host PCB 50Ω

micro-strip trace. The micro-strip trace can be extended to include passive parts for antenna attenuation padding, impedance matching, or to provide test points. It is recommended that the micro-strip trace be as short as possible for minimum loss and best impedance matching. If the micro-strip trace is longer, it should be a 50Ω controlled impedance.

**FIGURE 4-6: BM70BLE01FC2 HOST PCB MOUNTING SUGGESTIONS**



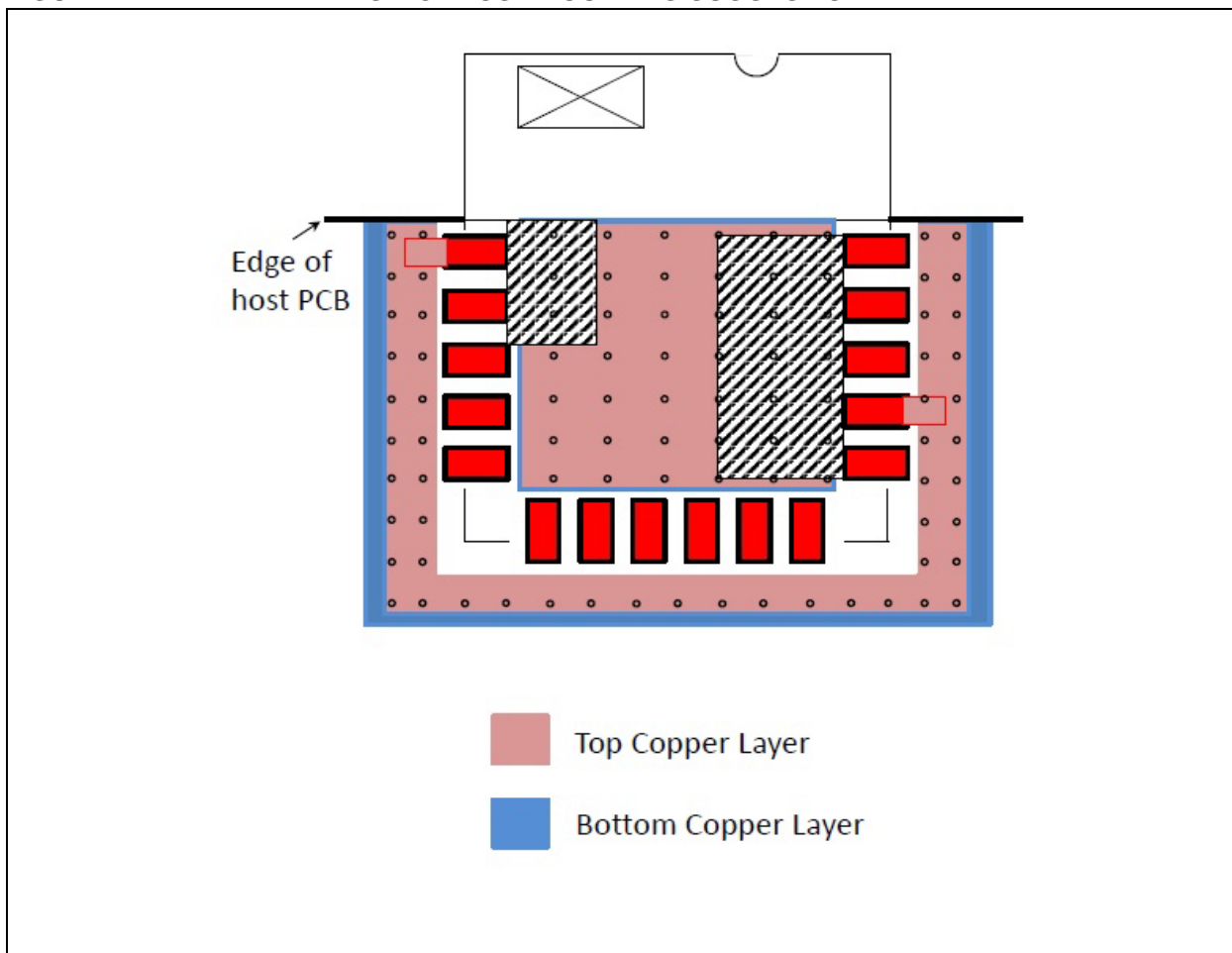


### 4.3.3 BM71BLES1FC2 HOST PCB MOUNTING

Figure 4-7 illustrates the mounting suggestions for the BM71BLES1FC2 module. It also shows the area around the antenna required for the best antenna performance.

The area under the antenna should not contain any top, inner, or bottom copper layer when designing the host PCB. A low-impedance ground plane ensures the best radio performance (best range, low noise). The ground plane can be extended beyond the minimum recommended as required for the host PCB EMC noise reduction. For best range performance, keep all external metal away by minimum 30 mm from the ceramic chip antenna.

**FIGURE 4-7: BM71BLES1FC2 HOST MOUNTING SUGGESTION**



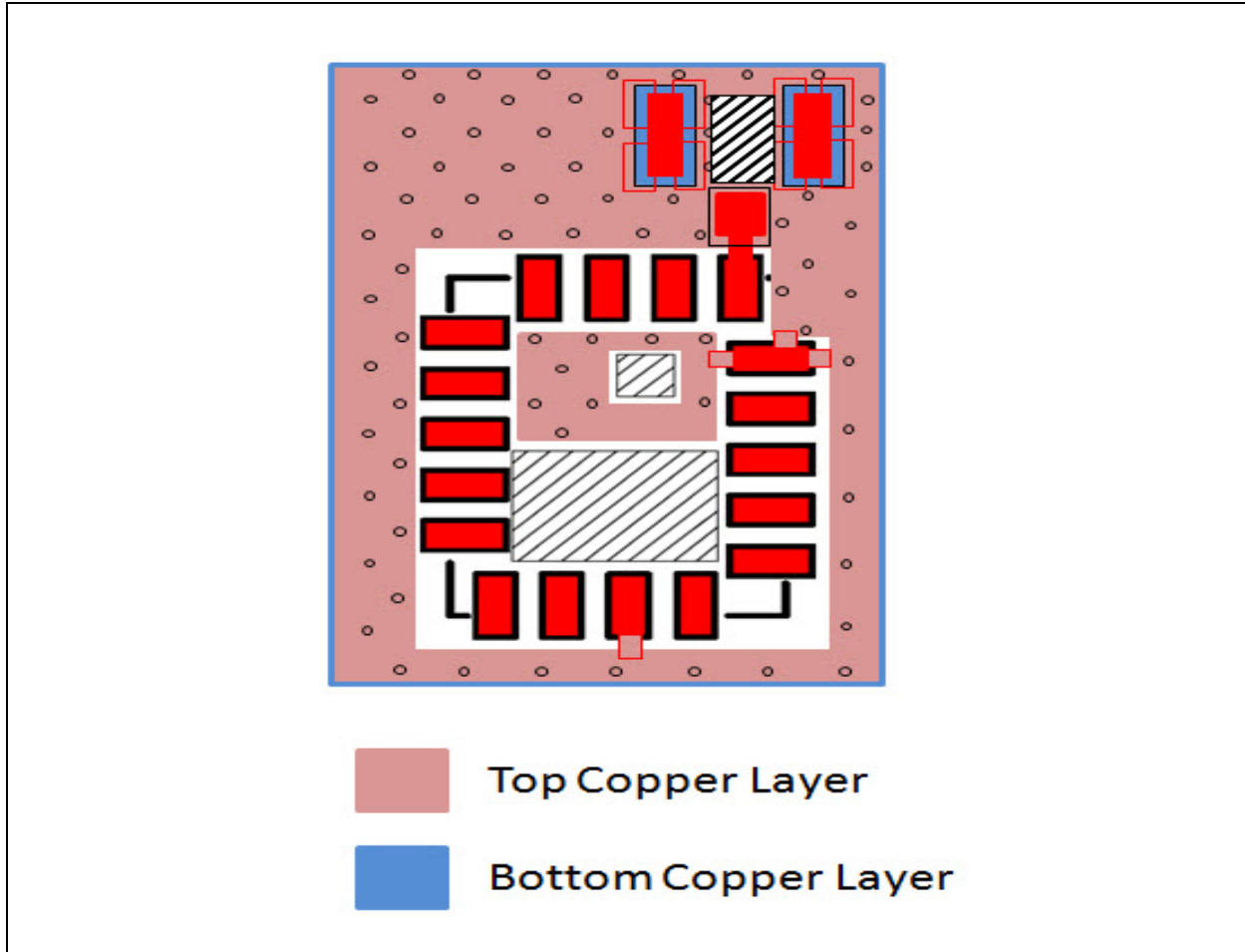
# BM70/71

## 4.3.4 BM71BLE01FC2 HOST PCB MOUNTING

Figure 4-8 illustrates the mounting suggestions for the BM71BLE01FC2 module. It also shows a connection to the UFL connector. A low-impedance ground plane will ensure the best radio performance (best range, low noise).

The pin\_1 (BT\_RF) is connected to an external antenna connector, a PCB trace antenna, or a component (ceramic chip) antenna through a host PCB 50Ω micro-strip trace. The micro-strip trace can be extended to include passive parts for antenna attenuation padding, impedance matching, or to provide test posts. It is recommended that the micro-strip trace be as short as possible for minimum loss and best impedance matching. If the micro-strip trace is longer, it should be 50Ω controlled impedance.

**FIGURE 4-8: BM71BLE01FC2 HOST PCB MOUNTING SUGGESTION**



## 5.0 ELECTRICAL CHARACTERISTICS

This section provides an overview of the BM70/71 modules electrical characteristics. Additional information will be provided in future revisions of this document.

Absolute maximum ratings for the BM70/71 devices are listed here. Exposure to the maximum rating conditions for extended periods may affect device reliability. Functional operation of the device at these or any other conditions, above the parameters indicated in the operation listings of this specification, is not implied.

### 5.1 Absolute Maximum Ratings

(See Note 1)

Ambient temperature under bias .....	-20°C to +70°C
Storage temperature .....	-65°C to +150°C
Voltage on VDD with respect to VSS .....	-0.3V to +3.6V
Maximum output current sunk by any I/O pin.....	12 mA
Maximum output current sourced by any I/O pin .....	12 mA

**Note 1:** Stresses above those listed under “**Absolute Maximum Ratings**” may cause permanent damage to the device. This is a stress rating only and functional operation of the device at those or any other conditions, above those indicated in the operation listings of this specification, is not implied. Exposure to maximum rating conditions for extended periods may affect device reliability.

# BM70/71

**TABLE 5-1: ABSOLUTE MAXIMUM RATING**

Symbol	Condition	Min.	Max.	UNIT
Supply voltage (VDD)	—	-0.3	3.6	V
Voltage on any digital pin	—	-0.3	$VDD + 0.3 \leq 3.9$	V
Storage temperature range	—	-40	125	°C

**TABLE 5-2: RECOMMENDED OPERATING CONDITIONS**

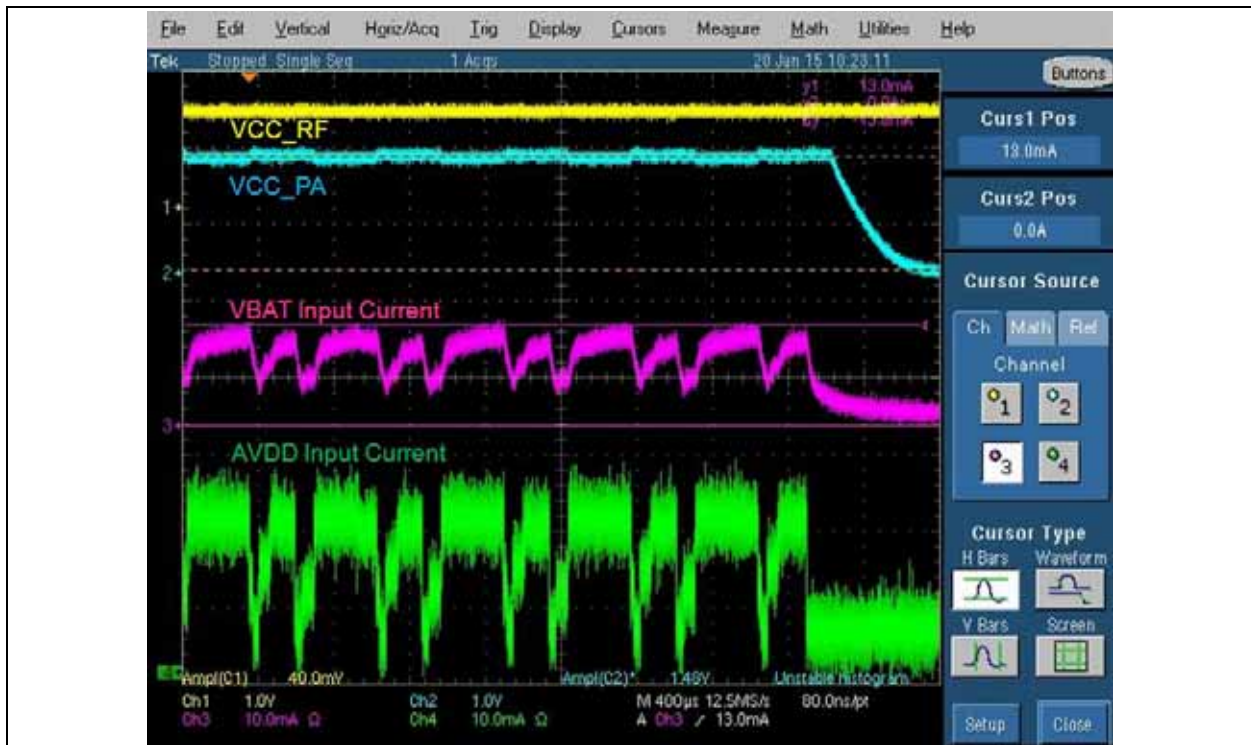
Symbol	Min.	Typ.	Max.
Ambient operating temperature range	-20°C	+25°C	+70°C
<b>PMU</b>			
VDD(VBAT, BK_IN), AVDD	1.9V	3.0V	3.6V
RST_N	1.9V	3.0V	3.6V
Other I/Os	1.9V	—	3.6V
<b>GPIO</b>			
VIH (Input High Voltage)	0.7 VDD	—	VDD
VIL (Input Low Voltage)	VSS	—	0.3VDD
VOH (Output High Voltage) (High drive, 12mA)	0.8 VDD	—	VDD
VOL (Output Low Voltage) (High drive, 12mA)	VSS	—	0.2VDD
Pull-up Resistance	34K	48K	74K
Pull-down Resistance	29K	47K	86K
<b>Supply Current</b>			
TX mode peak current at VDD=3V, TX=0dBm, Buck mode	—	—	13 mA
RX mode peak current at VDD=3V, Buck mode	—	—	13 mA
Link static current	—	60uA	—
Standby current	1.9 uA	—	2.9 uA
Power-Saving	1 uA	—	1.7 uA
<b>Analog to Digital Converter (ADC)</b>			
Full scale (BAT_IN)	0V	3.0V	3.6V
Full scale (AD0~AD15)	0V	—	3.6V
Conversion time (ENOB 8bit)	—	131uS	—
Conversion time (ENOB 10bit)	—	387uS	—
Operating current	—	—	500 uA
DNL	-1.12LSB	—	+1.12 LSB
INL	-4.38LSB	—	+4.38 LSB
<b>Precise Temperature Sensor (PTS)</b>			
Detect range	-20°C	—	70°C
Digital Output	1387	—	2448
Resolution	—	12 bits/°C	—
Accuracy	-3°C	—	+3°C
Conversion time (ENOB 10bit)	—	12.35mS	—
Operating current	—	—	200 uA

## 5.2 Current Consumption Details

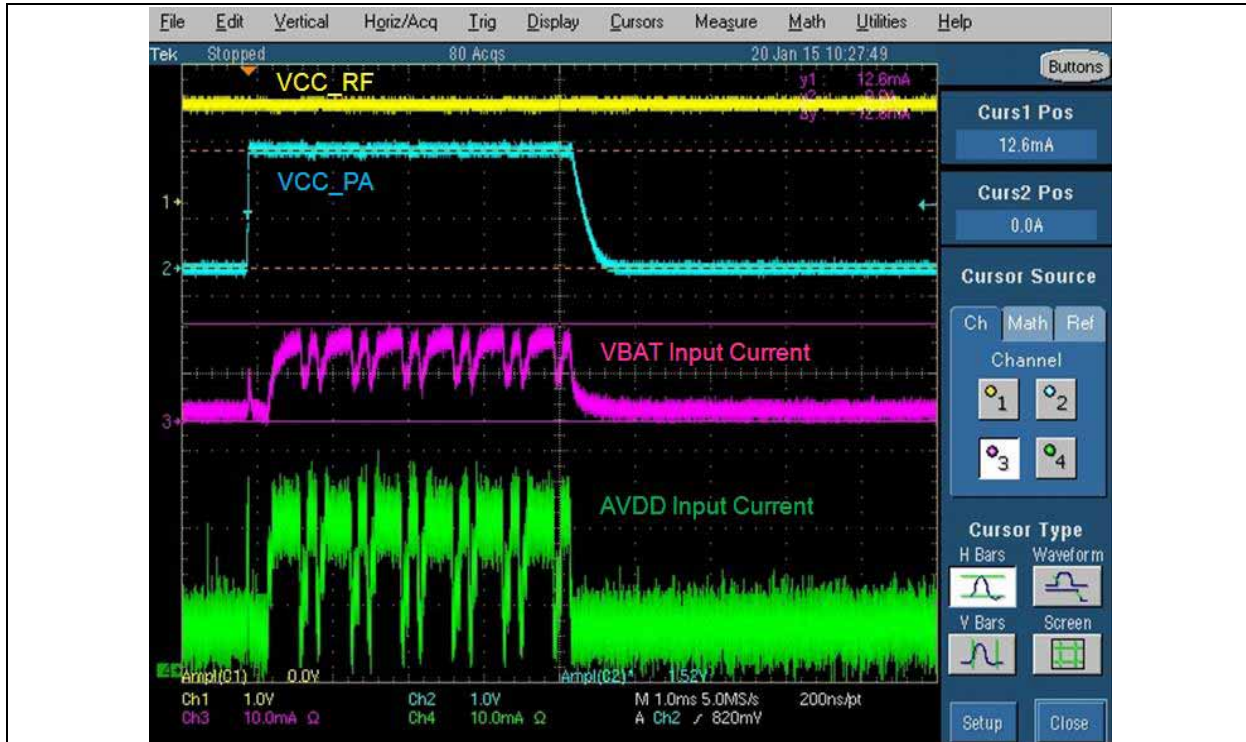
### 5.2.1 Tx/Rx MODE PEAK CURRENT CONSUMPTION DETAILS

Figure 5-1 and Figure 5-2 illustrate the Tx/Rx mode peak current consumption in connected mode. The peak current of the VBAT input is 13 mA in both the modes.

**FIGURE 5-1: CURRENT CONSUMPTION IN Tx MODE**



**FIGURE 5-2: CURRENT CONSUMPTION IN Rx MODE**



For additional information on the current consumption measurements, test conditions, and test environment setups, refer to the “*BM70 and BLEDK3 Application Note*”. This Application Note covers the detailed information about the Tx/Rx data transfer in Connected

mode and four basic modes of BLE devices. [Table 5-3](#) details the status of the BLEDK3 application and description of each mode.

**TABLE 5-3: STATUS OF BLEDK3 APPLICATION EXAMPLE**

Status	Description
Shutdown Mode	BLEDK3 is shutdown.
Standby Mode	BLEDK3 sends advertising packets and wait for connection. BLEDK3 is discoverable and connectible.
BLE Connected Mode	BLE link is established and CCCD of ISSC_Transparent_TX characteristic is disabled (see <b>Note 1</b> ).
Transparent Service Enabled Mode	BLE link is established and CCCD of ISSC_Transparent_TX characteristic is enabled (see <b>Note 1</b> ).

**Note 1:** CCCD stands for Client Characteristic Configuration in the GATT service characteristics.

**TABLE 5-4: BM70BLE01FC2 APPLICATION MODE CURRENT CONSUMPTION<sup>(1,2,3,4,5,6)</sup>**

Test Mode/Test Condition		Average Current Consumption	Note
Standby Mode	Advertising Interval: 100 ms	0.23 mA	UI: Set as beacon
	Advertising Interval: 500 ms	0.077 mA	UI: Set as beacon
BLE Connected Mode (no data exchange)	Connection Interval: 500 ms Slave Latency: 2	0.08 mA	Measured when transparent page is open on the BLEDK3 Application.
Transparent Service Enable Mode Tx data	Connection Interval: 18.75 ms Slave Latency: 0	3.87 mA	Max Tx data throughput setting Tested File size: 100 KB Tx data throughput: 9.863 KB/s
Transparent Service Enable Mode Tx data	Connection Interval: 40 ms Slave Latency: 0	2.77 mA	Tested File: 100 KB Tx data throughput: 4.676 KB/s
Transparent Service Enable Mode Rx data	Connection Interval: 18.75 ms Slave Latency: 0	3.06 mA (Write with response)  3.9 mA (Write with reliable Burst Transmit)	Max Rx data throughput setting Tested File size: 100 KB Throughput: 4.956 KB/S (Write with response) 9.382 KB/s (Write with reliable Burst Transmit)
Transparent Service Enable Mode Tx data	Connection Interval: 40 ms Slave Latency: 0	2.14 mA (Write with response)  3.03 mA (Write with reliable Burst Transmit)	Tested File size: 100 KB Throughput: 2.494 KB/S (Write with response) 5.056 KB/s (Write with reliable Burst Transmit)
Shut Down Mode		1.44 uA	

**Note 1:** Test condition: VBAT=3.3V, LED set off and measured in VBAT input.

**2:** Flash Code Version: BLEDK3 V1.03, UI Version: IS187x\_102\_BLEDK3\_UIv100.123

**3:** Test Phone: iPhone® 6+ with iOS 9.02

**4:** Test Application Version: BLEDK3 V1.2

**5:** UI set flow control and RX\_IND

**6:** For information on how to measure the current, refer to the “BM70 BLEDK3 Application Note”.

# BM70/71

---

NOTES:

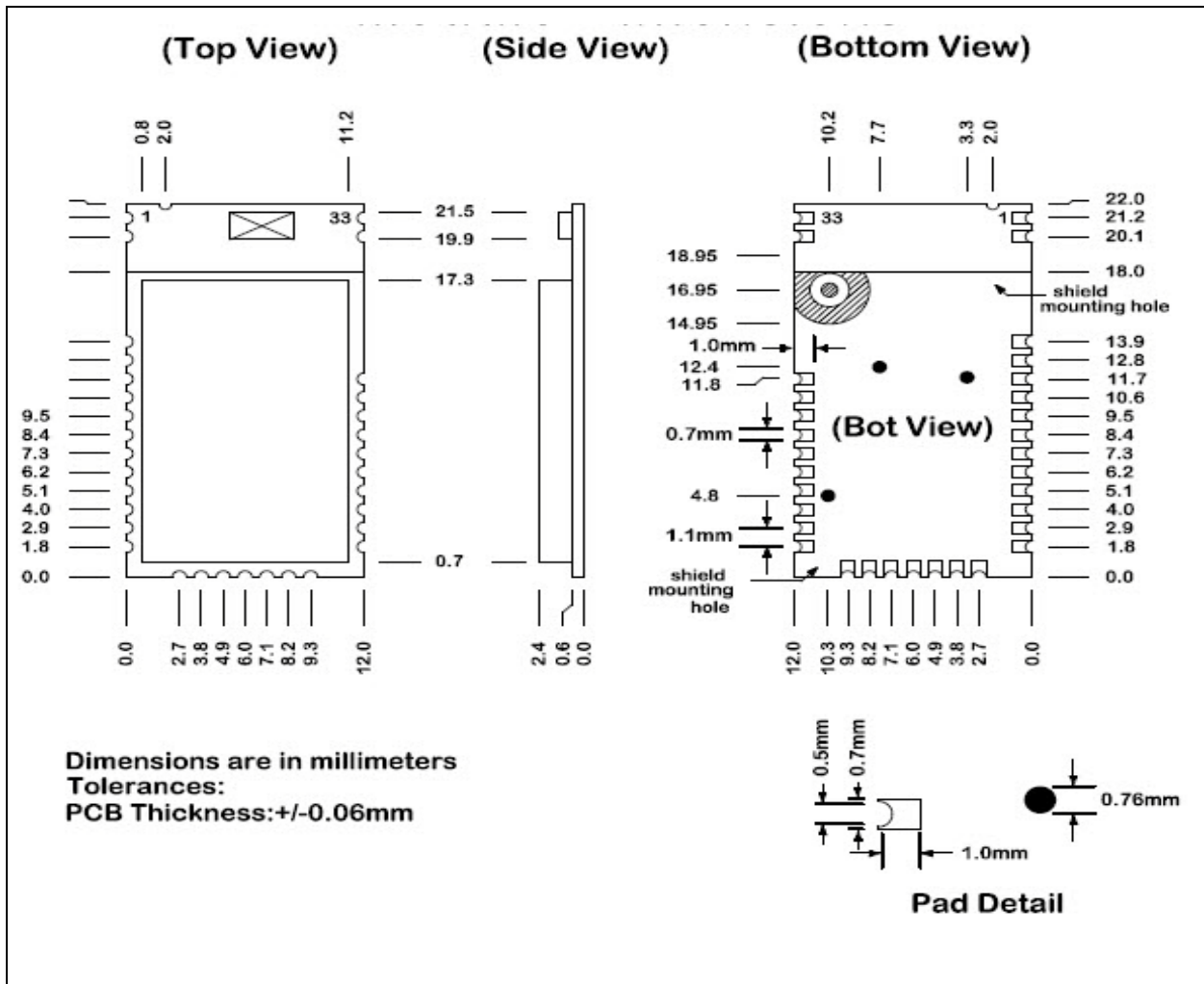


## 6.0 PACKAGING INFORMATION

### 6.1 BM70BLES1FC2

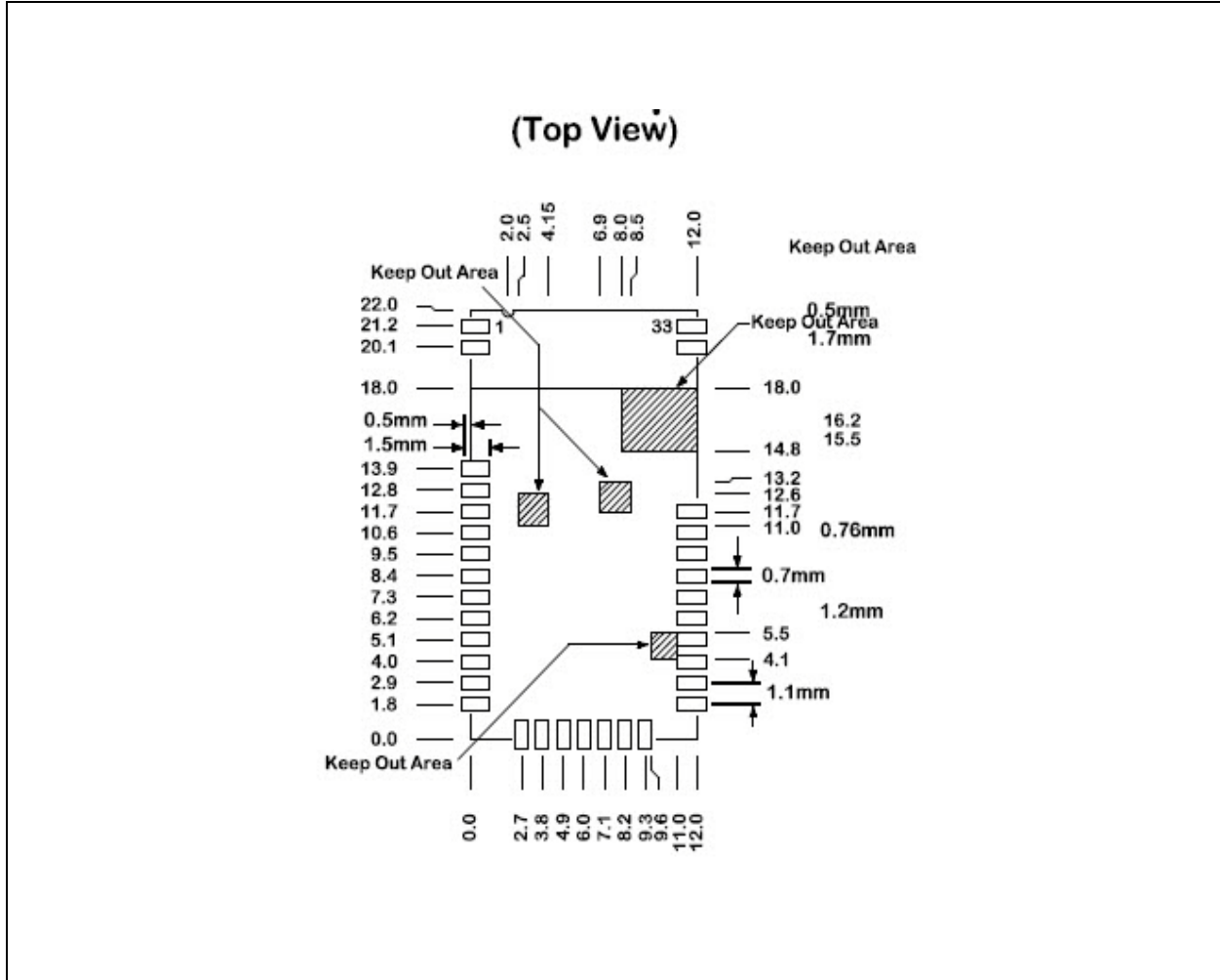
Figure 6-1 illustrates the BM70BLES1FC2 dimensions and Figure 6-2 illustrates the recommended PCB footprint. Ensure that there is no top copper layer near the test pin area.

FIGURE 6-1: BM70BLES1FC2 MODULE DIMENSIONS



# BM70/71

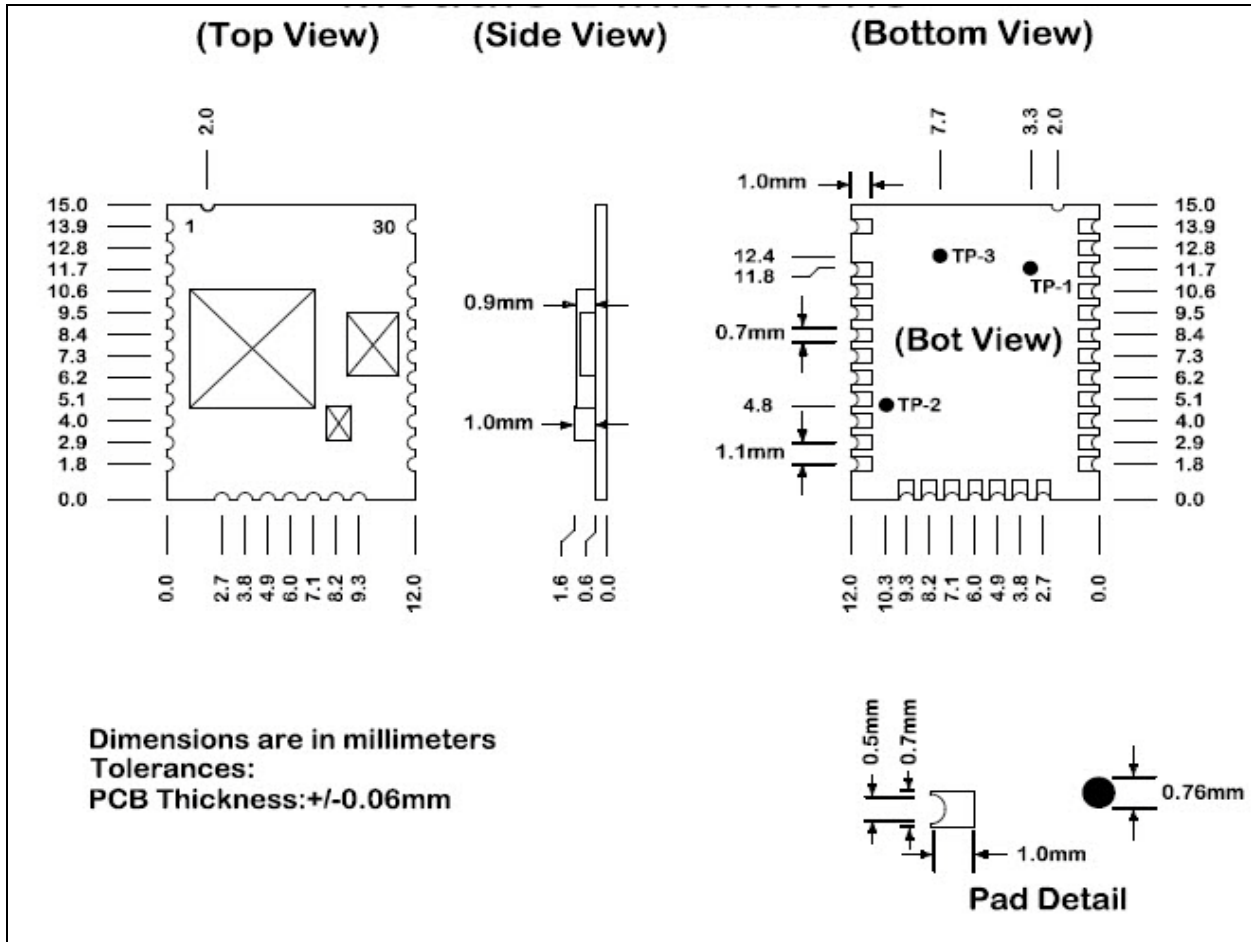
FIGURE 6-2: BM70BLES1FC2 RECOMMENDED PCB FOOTPRINT



## 6.2 BM70BLE01FC2

Figure 6-3 illustrates the BM70BLE01FC2 dimensions and Figure 6-4 illustrates the recommended PCB footprint.

**FIGURE 6-3: BM70BLE01FC2 MODULE DIMENSIONS**

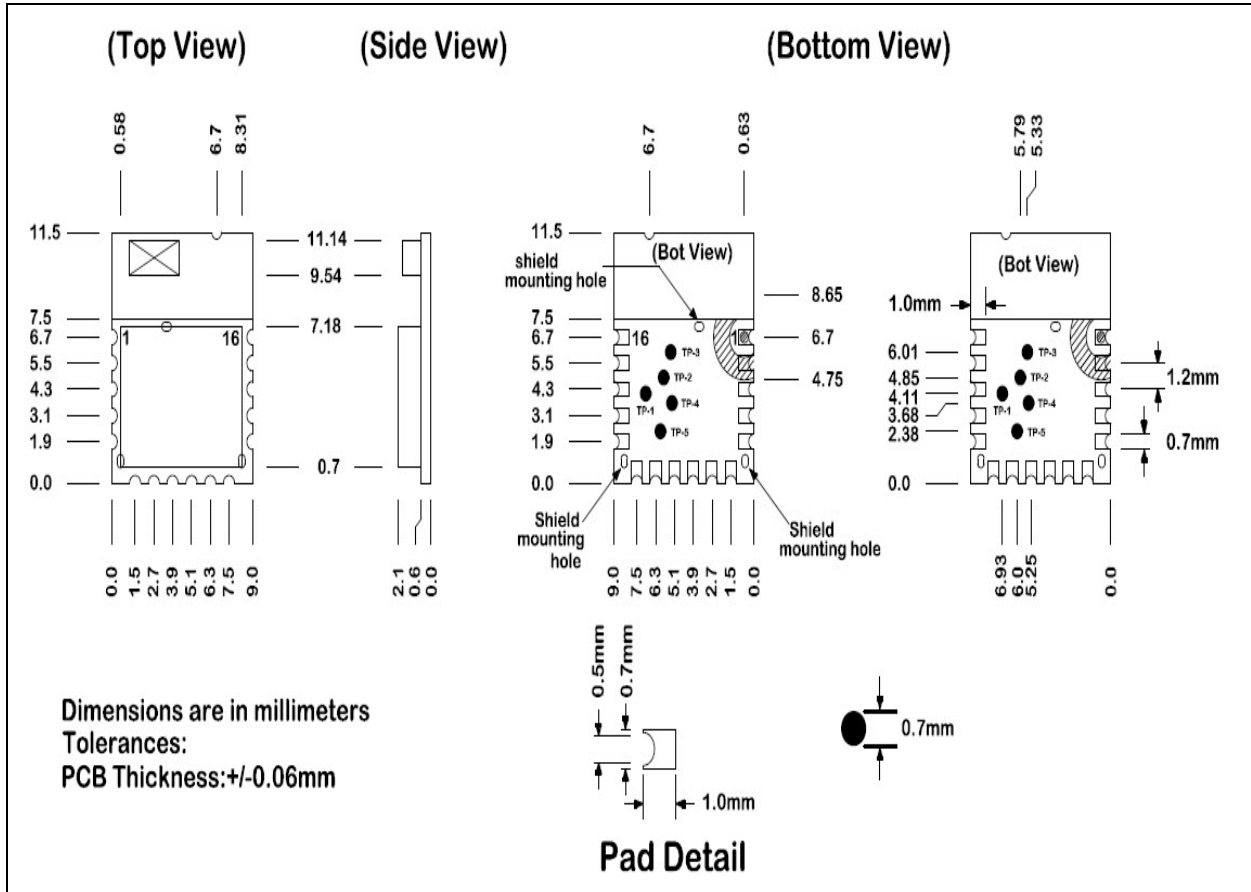




## 6.3 BM71BLES1FC2

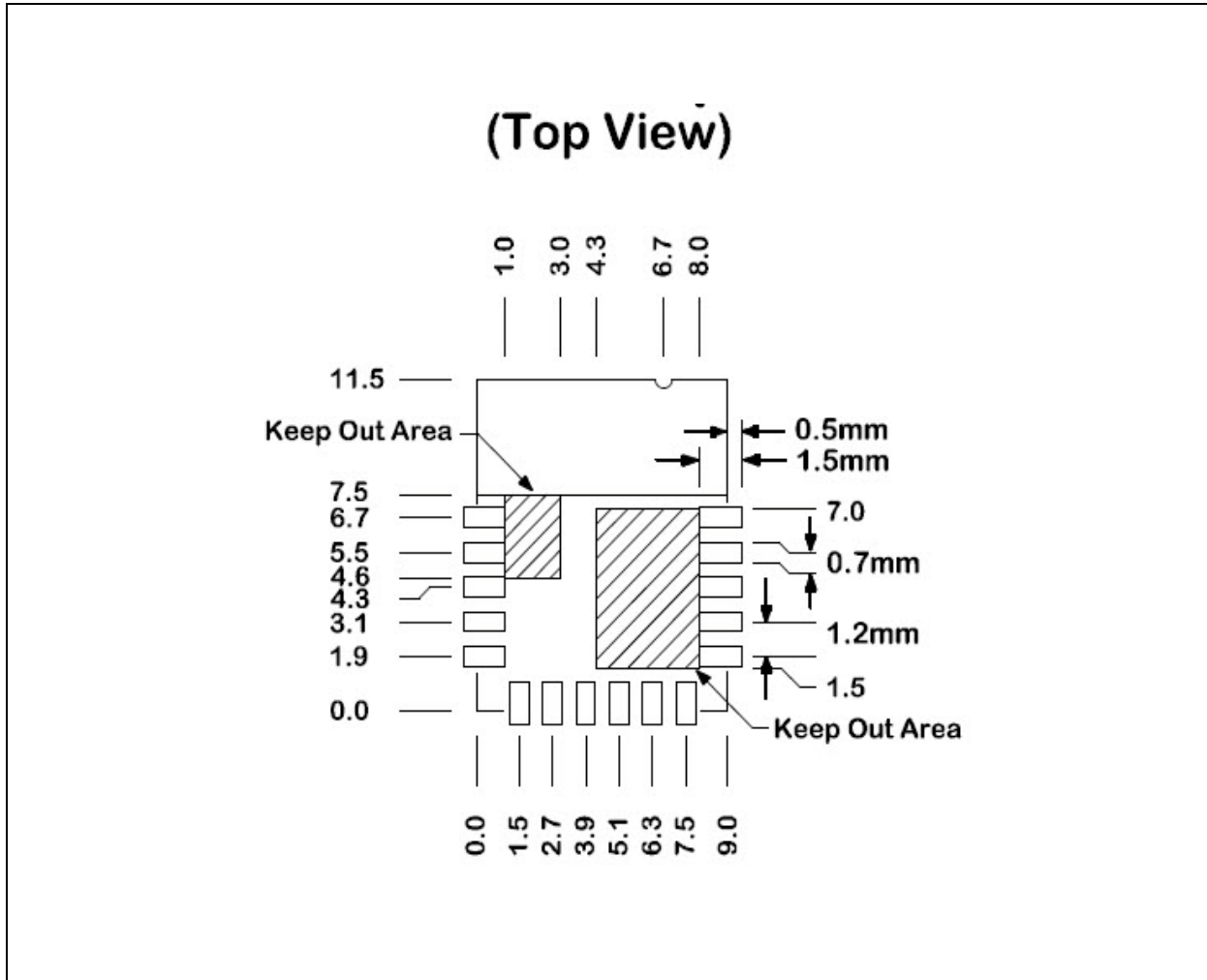
Figure 6-5 illustrates the BM71BLES1FC2 dimensions and Figure 6-6 illustrates the recommended PCB footprint. Ensure that there is no top copper layer near the test pin area.

FIGURE 6-5: BM71BLES1FC2 MODULE DIMENSIONS



# BM70/71

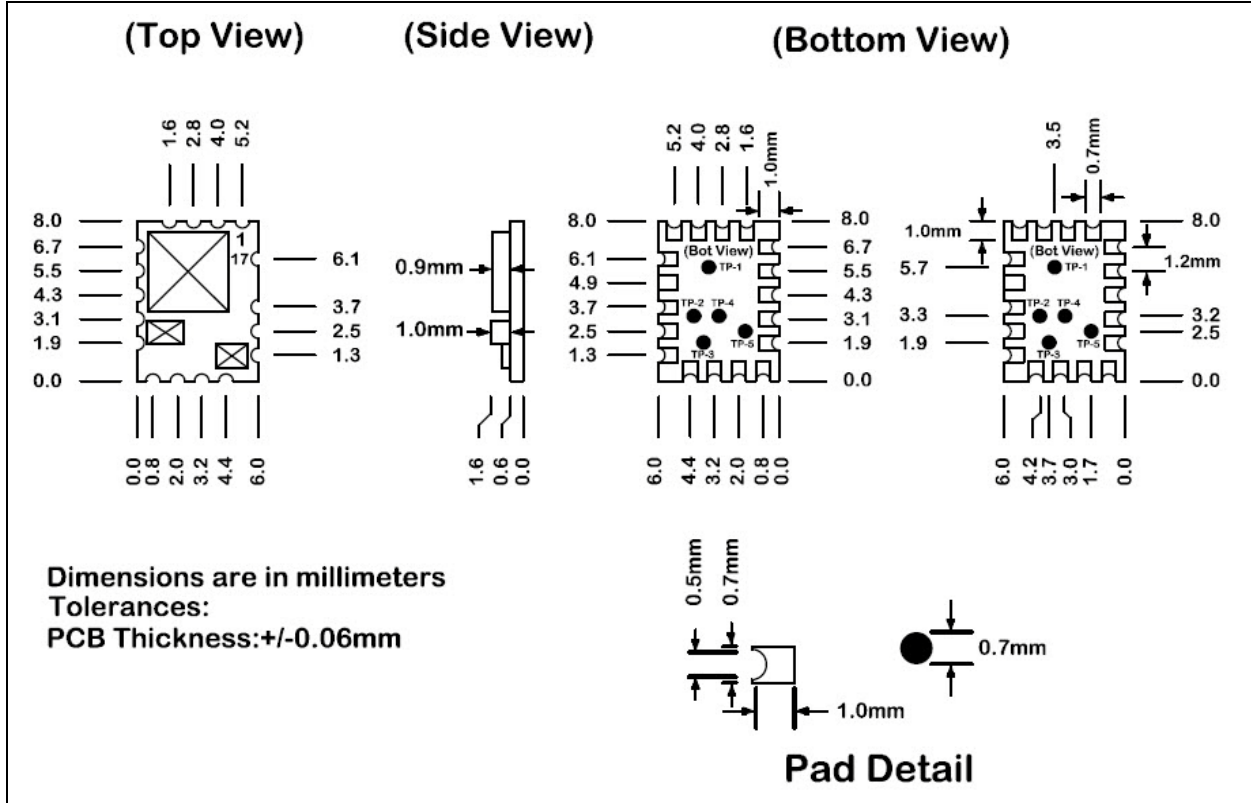
FIGURE 6-6: BM71BLES1FC2 RECOMMENDED PCB FOOTPRINT



## 6.4 BM71BLE01FC2

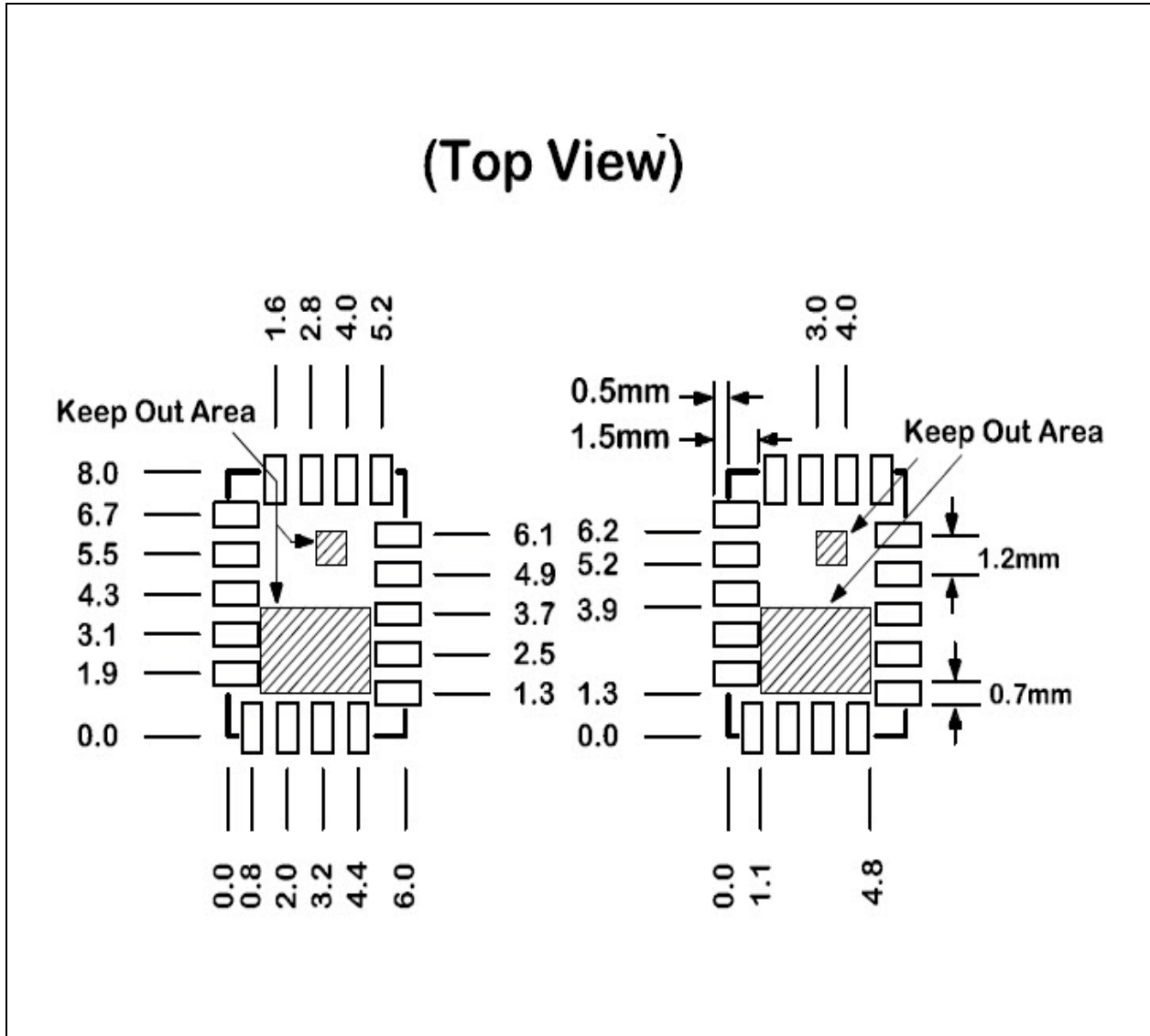
Figure 6-7 illustrates the BM71BLE01FC2 dimensions and Figure 6-8 illustrates the recommended PCB footprint.

FIGURE 6-7: BM71BLE01FC2 MODULE DIMENSIONS



# BM70/71

FIGURE 6-8: BM71BLE01FC2 RECOMMENDED PCB FOOTPRINT





## 7.0 SOLDERING RECOMMENDATIONS

The BM70/71 should be assembled using a standard lead-free, re-flow profile IPC/JEDEC J-STD-020. The module can be soldered to the host PCB using a standard lead or lead-free solder re-flow profiles, see [Figure 7-1](#).

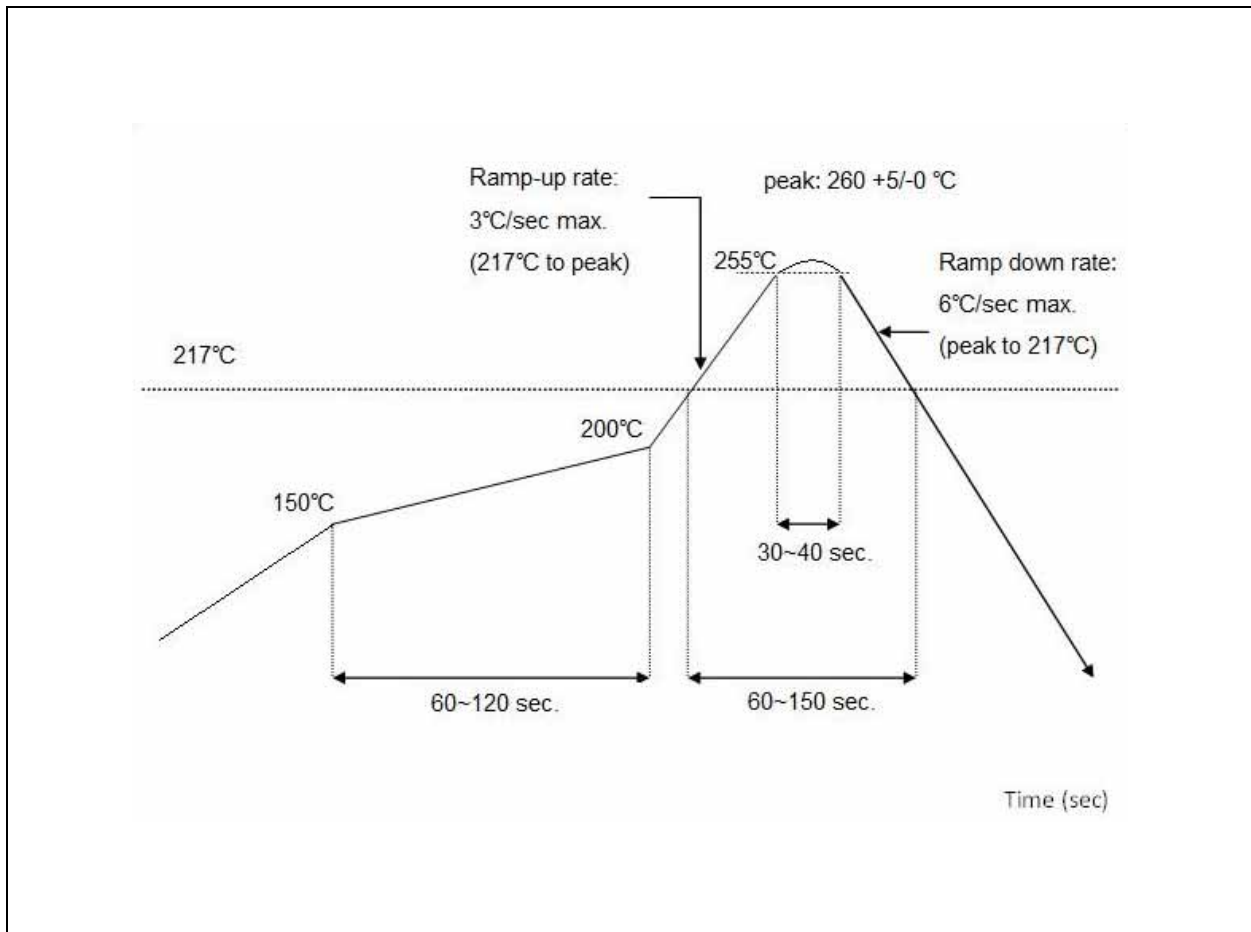
To avoid any damage to the BM70/71, follow these recommendations:

- Do not exceed peak temperature ( $T_P$ ) of 250°C
- Use no-clean flux solder paste

- Do not wash as moisture can be trapped under the shield
- Use only one flow. If PCB requires multiple flows, apply the module on the final flow.

For additional information related to the solder re-flow recommendations, refer to the “*Solder Re-flow Recommendation Application Note*” (DS00233), which is available for download from the Microchip web site at: <http://www.microchip.com>.

**FIGURE 7-1: REFLOW PROFILE**



# BM70/71

---

NOTES:

## 8.0 ORDERING GUIDE

Table 8-1 provides the ordering information for the BM70/71.

**TABLE 8-1: BM70/71 MODULE FAMILY TYPES**

Part Number	Antenna	Shielding	Pin #	Dimension	Regulatory Certification
BM70BLE01FC2	External	No	30	12mm x 15mm x 1.6mm	No
BM70BLES1FC2	On board	Yes	33	12mm x 22mm x 2.4mm	MIC, KCC
BM71BLE01FC2	External	No	17	6mm x 8mm x 1.6mm	No
BM71BLES1FC2	On board	Yes	16	9mm x 11.5mm x 2.1mm	No

# BM70/71

---

NOTES:

## APPENDIX A: CERTIFICATION NOTICES

**Note:** This device has not been authorized as required by the rules of the Federal Communications Commission. This device is not, and may not be, offered for sale or lease, or sold or leased, until authorization is obtained.

BM70 module regulatory approval status:

- BT SIG/QDID:74246
- United States/FCC ID: In Progress
- Canada/IC ID: In Progress
- Europe/CE: In Progress
- Japan/MIC: 202-SMD069
- Korea/KCC: MSIP-CRM-mcp-BM70BLES1FC2
- Taiwan/NCC No: In Progress

BM71 module certification is in progress for all countries.

### A.1 REGULATORY APPROVAL

This section outlines the regulatory information for the BM70 module for the following countries:

- United States
- Canada
- Europe
- Japan
- Korea
- Taiwan
- Other Regulatory Jurisdictions

#### A.1.1 UNITED STATES

The BM70 module is in progress to receive Federal Communications Commission (FCC) CFR47 Telecommunications, Part 15 Subpart C "Intentional Radiators" modular approval in accordance with Part 15.212 Modular Transmitter approval. Modular approval allows the end user to integrate the BM70 module into a finished product without obtaining subsequent and separate FCC approvals for intentional radiation, provided no changes or modifications are made to the module circuitry. Changes or modifications could void the user's authority to operate the equipment. The end user must comply with all of the instructions provided by the Grantee, which indicate installation and/or operating conditions necessary for compliance.

The finished product is required to comply with all applicable FCC equipment authorizations regulations, requirements and equipment functions not associated with the transmitter module portion. For example, compliance must be demonstrated to regulations for other transmitter components within the host product; to requirements for unintentional radiators (Part 15 Subpart B "Unintentional Radiators"), such as digital

devices, computer peripherals, radio receivers, etc.; and to additional authorization requirements for the non-transmitter functions on the transmitter module (i.e., Verification, or Declaration of Conformity) (e.g., transmitter modules may also contain digital logic functions) as appropriate.

#### A.1.2 LABELING AND USER INFORMATION REQUIREMENTS

The **BM70** module has been labeled with its own FCC ID number, and if the FCC ID is not visible when the module is installed inside another device, then the outside of the finished product into which the module is installed must also display a label referring to the enclosed module. This exterior label can use wording as follows:

Contains Transmitter Module FCC ID:

or

Contains FCC ID:

This device complies with Part 15 of the FCC Rules. Operation is subject to the following two conditions: (1) this device may not cause harmful interference, and (2) this device must accept any interference received, including interference that may cause undesired operation

A user's manual for the finished product should include the following statement:

This equipment has been tested and found to comply with the limits for a Class B digital device, pursuant to part 15 of the FCC Rules. These limits are designed to provide reasonable protection against harmful interference in a residential installation. This equipment generates, uses and can radiate radio frequency energy, and if not installed and used in accordance with the instructions, may cause harmful interference to radio communications. However, there is no guarantee that interference will not occur in a particular installation. If this equipment does cause harmful interference to radio or television reception, which can be determined by turning the equipment off and on, the user is encouraged to try to correct the interference by one or more of the following measures:

- Reorient or relocate the receiving antenna.
- Increase the separation between the equipment and receiver.
- Connect the equipment into an outlet on a circuit different from that to which the receiver is connected.
- Consult the dealer or an experienced radio/TV technician for help.

Additional information on labeling and user information requirements for Part 15 devices can be found in KDB Publication 784748 available at the FCC Office of Engi-

# BM70/BM71

neering and Technology (OET) Laboratory Division Knowledge Database (KDB)  
<http://apps.fcc.gov/oetcf/kdb/index.cfm>.

## A.1.3 RF EXPOSURE

All transmitters regulated by FCC must comply with RF exposure requirements. KDB 447498 General RF Exposure Guidance provides guidance in determining whether proposed or existing transmitting facilities, operations or devices comply with limits for human exposure to Radio Frequency (RF) fields adopted by the Federal Communications Commission (FCC).

From the FCC Grant: Output power listed is conducted. This grant is valid only when the module is sold to OEM integrators and must be installed by the OEM or OEM integrators. This transmitter is restricted for use with the specific antenna(s) tested in this application for Certification and must not be co-located or operating in conjunction with any other antenna or transmitters within a host device, except in accordance with FCC multi-transmitter product procedures.

## A.1.4 HELPFUL WEB SITES

Federal Communications Commission (FCC):  
<http://www.fcc.gov>

FCC Office of Engineering and Technology (OET) Laboratory Division Knowledge Database (KDB):  
<http://apps.fcc.gov/oetcf/kdb/index.cfm>

## A.2 Canada

The BM70 module certification is in progress for use in Canada under Industry Canada (IC) Radio Standards Specification (RSS) RSS-247 and RSS-Gen. Modular approval permits the installation of a module in a host device without the need to recertify the device.

### A.2.1 LABELING AND USER INFORMATION REQUIREMENTS

Labeling Requirements for the Host Device (from Section 3.1, RSS-Gen, Issue 4, November 2014): The host device shall be properly labeled to identify the module within the host device.

The Industry Canada certification label of a module shall be clearly visible at all times when installed in the host device, otherwise the host device must be labeled to display the Industry Canada certification number of the module, preceded by the words "Contains transmitter module", or the word "Contains", or similar wording expressing the same meaning, as follows:

Contains transmitter module IC:

User Manual Notice for License-Exempt Radio Apparatus (from Section 8.4, RSS-Gen, Issue 4, November 2014): User manuals for license-exempt radio appara-

tus shall contain the following or equivalent notice in a conspicuous location in the user manual or alternatively on the device or both:

This device complies with Industry Canada license-exempt RSS standard(s). Operation is subject to the following two conditions: (1) this device may not cause interference, and (2) this device must accept any interference, including interference that may cause undesired operation of the device.

Le présent appareil est conforme aux CNR d'Industrie Canada applicables aux appareils radio exempts de licence. L'exploitation est autorisée aux deux conditions suivantes: (1) l'appareil ne doit pas produire de brouillage, et (2) l'utilisateur de l'appareil doit accepter tout brouillage radioélectrique subi, même si le brouillage est susceptible d'en compromettre le fonctionnement.

Transmitter Antenna (from Section 8.3, RSS-Gen, Issue 4, November 2014): User manuals for transmitters shall display the following notice in a conspicuous location:

Under Industry Canada regulations, this radio transmitter may only operate using an antenna of a type and maximum (or lesser) gain approved for the transmitter by Industry Canada. To reduce potential radio interference to other users, the antenna type and its gain should be so chosen that the equivalent isotropically radiated power (e.i.r.p.) is not more than that necessary for successful communication.

Conformément à la réglementation d'Industrie Canada, le présent émetteur radio peut fonctionner avec une antenne d'un type et d'un gain maximal (ou inférieur) approuvé pour l'émetteur par Industrie Canada. Dans le but de réduire les risques de brouillage radioélectrique à l'intention des autres utilisateurs, il faut choisir le type d'antenne et son gain de sorte que la puissance isotrope rayonnée équivalente (p.i.r.e.) ne dépasse pas l'intensité nécessaire à l'établissement d'une communication satisfaisante.

The above notice may be affixed to the device instead of displayed in the user manual.

User manuals for transmitters equipped with detachable antennas shall also contain the following notice in a conspicuous location:

This radio transmitter (identify the device by certification number, or model number if Category II) has been approved by Industry Canada to operate with the antenna types listed below with the maximum permissible gain and required antenna impedance for each antenna type indicated. Antenna types not included in this list, having a gain greater than the maximum gain indicated for that type, are strictly prohibited for use with this device.

Conformément à la réglementation d'Industrie Canada, le présent émetteur radio peut fonctionner avec une antenne d'un type et d'un gain maximal (ou inférieur) approuvé pour l'émetteur par Industrie Canada. Dans le but de réduire les risques de brouillage radioélectrique à l'intention des autres utilisateurs, il faut choisir le type d'antenne et son gain de sorte que la puissance isotrope rayonnée équivalente (p.i.r.e.) ne dépasse pas l'intensité nécessaire à l'établissement d'une communication satisfaisante.

Immediately following the above notice, the manufacturer shall provide a list of all antenna types approved for use with the transmitter, indicating the maximum permissible antenna gain (in dBi) and required impedance for each.

## A.2.2 RF EXPOSURE

All transmitters regulated by IC must comply with RF exposure requirements listed in RSS-102 - Radio Frequency (RF) Exposure Compliance of Radio communication Apparatus (All Frequency Bands).

## A.2.3 HELPFUL WEB SITES

Industry Canada: <http://www.ic.gc.ca/>

## A.3 Europe

The BM70 module is in progress to be an R&TTE Directive assessed radio module that is CE marked and has been manufactured and tested with the intention of being integrated into a final product.

The **BM70** module has been tested to R&TTE Directive 1999/5/EC Essential Requirements for Health and Safety (Article (3.1(a)), Electromagnetic Compatibility (EMC) (Article 3.1(b)), and Radio (Article 3.2) and are summarized in [Table A-1](#). A Notified Body Opinion can be arranged on request.

The R&TTE Compliance Association provides guidance on modular devices in “*Technical Guidance Note 01*” document available for download from the following location: [http://www.rteca.com/html/download\\_area.htm](http://www.rteca.com/html/download_area.htm).

**Note:** To maintain conformance to the testing listed in [Table A-1](#): European Compliance Testing, the module shall be installed in accordance with the installation instructions in this data sheet and shall not be modified.

When integrating a radio module into a completed product the integrator becomes the manufacturer of the final product and is therefore responsible for demonstrating compliance of the final product with the essential requirements of the R&TTE Directive.

## A.3.1 LABELING AND USER INFORMATION REQUIREMENTS

The label on the final product which contains the BM70 module must follow CE marking requirements. The R&TTE Compliance Association **Technical Guidance Note 01** provides guidance on final product CE marking.

## A.3.2 ANTENNA REQUIREMENTS

From R&TTE Compliance Association document Technical Guidance Note 01.

Provided the integrator installing an assessed radio module with an integral or specific antenna and installed in conformance with the radio module manufacturer's installation instructions requires no further evaluation. Under Article 3.2 of the R&TTE Directive and does not require further involvement of an R&TTE Directive Notified Body for the final product. [Section 2.2.4]

The European Compliance Testing listed in [Table A-1](#) was performed using the integral ceramic chip antenna.

# BM70/BM71

**TABLE A-1: EUROPEAN COMPLIANCE TESTING**

Certification	Standards	Article	Laboratory	Report Number	Date
Safety	EN60950-1:2006/A11:2010/A1:2010/A12:2011/A2:2013	3(1)(b)	TUV Rheinland	—	—
Health	EN62479:2010			—	—
EMC	EN301489-1 V1.9.2	3(1)(b)		—	—
	EN301489-17 V2.2.1			—	—
Radio	EN300328 V1.9.1	3(2)		—	—
Notified Body Opinion	—	—	—	—	

### A.3.3 HELPFUL WEB SITES

A document that can be used as a starting point in understanding the use of Short Range Devices (SRD) in Europe is the European Radio Communications Committee (ERC) Recommendation 70-03 E, which can be downloaded from the European Radio Communications Office (ERO) at: <http://www.ero.dk/>. Additional helpful web sites are:

- Radio and Telecommunications Terminal Equipment (R&TTE): [http://ec.europa.eu/enterprise/rtte/index\\_en.htm](http://ec.europa.eu/enterprise/rtte/index_en.htm)
- European Conference of Postal and Telecommunications Administrations (CEPT): <http://www.cept.org>
- European Telecommunications Standards Institute (ETSI): <http://www.etsi.org>
- European Radio Communications Office (ERO): <http://www.ero.dk>
- The Radio and Telecommunications Terminal Equipment Compliance Association (R&TTE CA): <http://www.rtteca.com>

## A.4 Japan

The BM70 module has received type certification and is labeled with its own technical conformity mark and certification number as required to conform to the technical standards regulated by the Ministry of Internal Affairs and Communications (MIC) of Japan pursuant to the Radio Act of Japan.

Integration of this module into a final product does not require additional radio certification provided installation instructions are followed and no modifications of the module are allowed. Additional testing may be required:

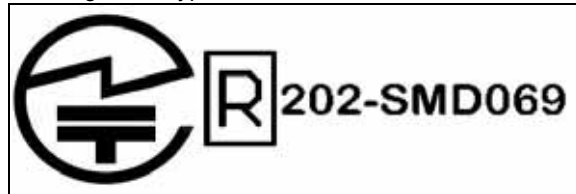
- If the host product is subject to electrical appliance safety (for example, powered from an AC mains), the host product may require Product Safety Electrical Appliance and Material (PSE) testing. The integrator should contact their conformance laboratory to determine if this testing is required.

- There is an voluntary Electromagnetic Compatibility (EMC) test for the host product administered by VCCI: [http://www.vcci.jp/vcci\\_e/index.html](http://www.vcci.jp/vcci_e/index.html)

### A.4.1 LABELING AND USER INFORMATION REQUIREMENTS

The label on the final product which contains the **BM70** module must follow Japan marking requirements. The integrator of the module should refer to the labeling requirements for Japan available at the Ministry of Internal Affairs and Communications (MIC) website.

The **BM70** module is labeled with its own technical conformity mark and certification number. The final product in which this module is being used must have a label referring to the type certified module inside:



### A.4.2 HELPFUL WEB SITES

Ministry of Internal Affairs and Communications (MIC): <http://www.tele.soumu.go.jp/e/index.htm>

Association of Radio Industries and Businesses (ARIB): <http://www.arib.or.jp/english/>

## A.5 Korea

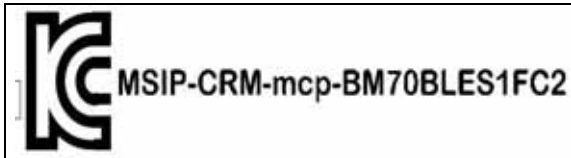
The BM70 module has received certification of conformity in accordance with the Radio Waves Act. Integration of this module into a final product does not require additional radio certification provided installation instructions are followed and no modifications of the module are allowed.



## A.5.1 LABELING AND USER INFORMATION REQUIREMENTS

The label on the final product which contains the **BM70** module must follow KC marking requirements. The integrator of the module should refer to the labeling requirements for Korea available on the Korea Communications Commission (KCC) website.

The **BM70** module is labeled with its own KC mark. The final product requires the KC mark and certificate number of the module:



## A.5.2 HELPFUL WEB SITES

Korea Communications Commission (KCC):  
<http://www.kcc.go.kr>

National Radio Research Agency (RRA):  
<http://rra.go.kr>

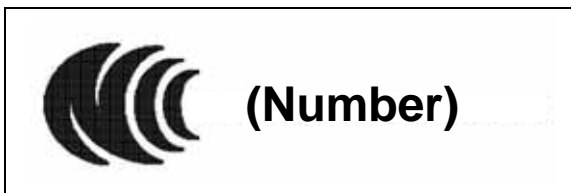
## A.6 Taiwan

The BM70 module has pending compliance approval in accordance with the Telecommunications Act. Customers seeking to use the compliance approval in their product should contact Microchip Technology sales or distribution partners to obtain a Letter of Authority.

Integration of this module into a final product does not require additional radio certification provided installation instructions are followed and no modifications of the module are allowed.

## A.6.1 LABELING AND USER INFORMATION REQUIREMENTS

The **BM70** module is labeled with its own NCC mark and certificate number as below:



The user's manual should contain below warning (for RF device) in traditional Chinese:

注意！

依據 低功率電波輻射性電機管理辦法

第十二條 經型式認證合格之低功率射頻電機，非經許可，

公司、商號或使用者均不得擅自變更頻率、加大功率或變更原設計

之特性及功能。

第十四條 低功率射頻電機之使用不得影響飛航安全及干擾合法通信；

經發現有干擾現象時，應立即停用，並改善至無干擾時方得繼續使用。

前項合法通信，指依電信規定作業之無線電信。

低功率射頻電機須忍受合法通信或工業、科學及醫療用電波輻射性

電機設備之干擾。

## A.6.2 HELPFUL WEB SITES

National Communications Commission (NCC):  
<http://www.ncc.gov.tw>

## A.7 Other Regulatory Jurisdictions

Should other regulatory jurisdiction certification be required by the customer, or the customer need to recertify the module for other reasons, contact Microchip for the required utilities and documentation.

# BM70/BM71

---

NOTES:

## APPENDIX B: REVISION HISTORY

### B.1 Revision A (October 2015)

This is the initial released version of the document.

### B.2 Revision B (October 2015)

This revision includes the following changes as well as minor updates to text and formatting, which were incorporated throughout the document.

**TABLE B-1: MAJOR SECTION UPDATES**

Section	Update Description
<a href="#">Section “Features”</a>	This section is updated with certification informations. The data from this section has been reformatted and distributed in other sections.
<a href="#">Section “MAC/Baseband/Higher Layer Features”</a> , <a href="#">Section “Power Management”</a> , <a href="#">Section “Operating Conditions”</a> , and <a href="#">Section “Antenna”</a>	These sections are newly added.
<a href="#">Section “General Description”</a>	This section was previously placed in chapter 1 and has been moved here.
<a href="#">Section 1.0 “Device Overview”</a>	<a href="#">Table 1-2</a> , <a href="#">Table 1-4</a> , and <a href="#">Table 1-5</a> are added.
<a href="#">Section 2.0 “Application information”</a>	This chapter contains information that was previously located in Appendix A and Electrical Characteristics.
<a href="#">Section 8.0 “Ordering Guide”</a>	<a href="#">Table 8-1</a> is updated with Y-axis information and certification information.
<a href="#">Section Appendix B: “Revision History”</a>	This section is updated with images for the Certification Marking and their numbers. The regulatory information is updated to be the latest.
<a href="#">Section 5.0 “Electrical Characteristics”</a>	<a href="#">Table 5-4</a> is added

# BM70/71

---

NOTES:

## THE MICROCHIP WEB SITE

Microchip provides online support via our WWW site at [www.microchip.com](http://www.microchip.com). This web site is used as a means to make files and information easily available to customers. Accessible by using your favorite Internet browser, the web site contains the following information:

- **Product Support** – Data sheets and errata, application notes and sample programs, design resources, user's guides and hardware support documents, latest software releases and archived software
- **General Technical Support** – Frequently Asked Questions (FAQ), technical support requests, online discussion groups, Microchip consultant program member listing
- **Business of Microchip** – Product selector and ordering guides, latest Microchip press releases, listing of seminars and events, listings of Microchip sales offices, distributors and factory representatives

## CUSTOMER CHANGE NOTIFICATION SERVICE

Microchip's customer notification service helps keep customers current on Microchip products. Subscribers will receive e-mail notification whenever there are changes, updates, revisions or errata related to a specified product family or development tool of interest.

To register, access the Microchip web site at [www.microchip.com](http://www.microchip.com). Under "Support", click on "Customer Change Notification" and follow the registration instructions.

## CUSTOMER SUPPORT

Users of Microchip products can receive assistance through several channels:

- Distributor or Representative
- Local Sales Office
- Field Application Engineer (FAE)
- Technical Support

Customers should contact their distributor, representative or Field Application Engineer (FAE) for support. Local sales offices are also available to help customers. A listing of sales offices and locations is included in the back of this document.

**Technical support is available through the web site at: <http://microchip.com/support>**

# BM70/71

---

NOTES:

---

**Note the following details of the code protection feature on Microchip devices:**

- Microchip products meet the specification contained in their particular Microchip Data Sheet.
- Microchip believes that its family of products is one of the most secure families of its kind on the market today, when used in the intended manner and under normal conditions.
- There are dishonest and possibly illegal methods used to breach the code protection feature. All of these methods, to our knowledge, require using the Microchip products in a manner outside the operating specifications contained in Microchip's Data Sheets. Most likely, the person doing so is engaged in theft of intellectual property.
- Microchip is willing to work with the customer who is concerned about the integrity of their code.
- Neither Microchip nor any other semiconductor manufacturer can guarantee the security of their code. Code protection does not mean that we are guaranteeing the product as “unbreakable.”

Code protection is constantly evolving. We at Microchip are committed to continuously improving the code protection features of our products. Attempts to break Microchip's code protection feature may be a violation of the Digital Millennium Copyright Act. If such acts allow unauthorized access to your software or other copyrighted work, you may have a right to sue for relief under that Act.

---

Information contained in this publication regarding device applications and the like is provided only for your convenience and may be superseded by updates. It is your responsibility to ensure that your application meets with your specifications. MICROCHIP MAKES NO REPRESENTATIONS OR WARRANTIES OF ANY KIND WHETHER EXPRESS OR IMPLIED, WRITTEN OR ORAL, STATUTORY OR OTHERWISE, RELATED TO THE INFORMATION, INCLUDING BUT NOT LIMITED TO ITS CONDITION, QUALITY, PERFORMANCE, MERCHANTABILITY OR FITNESS FOR PURPOSE. Microchip disclaims all liability arising from this information and its use. Use of Microchip devices in life support and/or safety applications is entirely at the buyer's risk, and the buyer agrees to defend, indemnify and hold harmless Microchip from any and all damages, claims, suits, or expenses resulting from such use. No licenses are conveyed, implicitly or otherwise, under any Microchip intellectual property rights unless otherwise stated.

#### **Trademarks**

The Microchip name and logo, the Microchip logo, dsPIC, FlashFlex, flexPWR, JukeBlox, KEELOQ, KEELOQ logo, Klear, LANCheck, MediaLB, MOST, MOST logo, MPLAB, OptoLyzer, PIC, PICSTART, PIC<sup>32</sup> logo, RightTouch, SpyNIC, SST, SST Logo, SuperFlash and UNI/O are registered trademarks of Microchip Technology Incorporated in the U.S.A. and other countries.

The Embedded Control Solutions Company and mTouch are registered trademarks of Microchip Technology Incorporated in the U.S.A.

Analog-for-the-Digital Age, BodyCom, chipKIT, chipKIT logo, CodeGuard, dsPICDEM, dsPICDEM.net, ECAN, In-Circuit Serial Programming, ICSP, Inter-Chip Connectivity, KlearNet, KlearNet logo, MiWi, motorBench, MPASM, MPF, MPLAB Certified logo, MPLIB, MPLINK, MultiTRAK, NetDetach, Omniscient Code Generation, PICDEM, PICDEM.net, PICKit, PICTail, RightTouch logo, REAL ICE, SQI, Serial Quad I/O, Total Endurance, TSHARC, USBCheck, VariSense, ViewSpan, WiperLock, Wireless DNA, and ZENA are trademarks of Microchip Technology Incorporated in the U.S.A. and other countries.

SQTP is a service mark of Microchip Technology Incorporated in the U.S.A.

Silicon Storage Technology is a registered trademark of Microchip Technology Inc. in other countries.

GestIC is a registered trademark of Microchip Technology Germany II GmbH & Co. KG, a subsidiary of Microchip Technology Inc., in other countries.

All other trademarks mentioned herein are property of their respective companies.

© 2015, Microchip Technology Incorporated, Printed in the U.S.A., All Rights Reserved.

ISBN: 978-1-63277-936-6

**QUALITY MANAGEMENT SYSTEM**  
**CERTIFIED BY DNV**  
**== ISO/TS 16949 ==**

*Microchip received ISO/TS-16949:2009 certification for its worldwide headquarters, design and wafer fabrication facilities in Chandler and Tempe, Arizona; Gresham, Oregon and design centers in California and India. The Company's quality system processes and procedures are for its PIC<sup>®</sup> MCUs and dsPIC<sup>®</sup> DSCs, KEELOQ<sup>®</sup> code hopping devices, Serial EEPROMs, microperipherals, nonvolatile memory and analog products. In addition, Microchip's quality system for the design and manufacture of development systems is ISO 9001:2000 certified.*



# MICROCHIP

## Worldwide Sales and Service

### AMERICAS

#### Corporate Office

2355 West Chandler Blvd.  
Chandler, AZ 85224-6199

Tel: 480-792-7200

Fax: 480-792-7277

Technical Support:

[http://www.microchip.com/  
support](http://www.microchip.com/support)

Web Address:

[www.microchip.com](http://www.microchip.com)

#### Atlanta

Duluth, GA

Tel: 678-957-9614

Fax: 678-957-1455

#### Austin, TX

Tel: 512-257-3370

#### Boston

Westborough, MA

Tel: 774-760-0087

Fax: 774-760-0088

#### Chicago

Itasca, IL

Tel: 630-285-0071

Fax: 630-285-0075

#### Cleveland

Independence, OH

Tel: 216-447-0464

Fax: 216-447-0643

#### Dallas

Addison, TX

Tel: 972-818-7423

Fax: 972-818-2924

#### Detroit

Novi, MI

Tel: 248-848-4000

#### Houston, TX

Tel: 281-894-5983

#### Indianapolis

Noblesville, IN

Tel: 317-773-8323

Fax: 317-773-5453

#### Los Angeles

Mission Viejo, CA

Tel: 949-462-9523

Fax: 949-462-9608

#### New York, NY

Tel: 631-435-6000

#### San Jose, CA

Tel: 408-735-9110

#### Canada - Toronto

Tel: 905-673-0699

Fax: 905-673-6509

### ASIA/PACIFIC

#### Asia Pacific Office

Suites 3707-14, 37th Floor  
Tower 6, The Gateway  
Harbour City, Kowloon

#### Hong Kong

Tel: 852-2943-5100

Fax: 852-2401-3431

#### Australia - Sydney

Tel: 61-2-9868-6733

Fax: 61-2-9868-6755

#### China - Beijing

Tel: 86-10-8569-7000

Fax: 86-10-8528-2104

#### China - Chengdu

Tel: 86-28-8665-5511

Fax: 86-28-8665-7889

#### China - Chongqing

Tel: 86-23-8980-9588

Fax: 86-23-8980-9500

#### China - Dongguan

Tel: 86-769-8702-9880

#### China - Hangzhou

Tel: 86-571-8792-8115

Fax: 86-571-8792-8116

#### China - Hong Kong SAR

Tel: 852-2943-5100

Fax: 852-2401-3431

#### China - Nanjing

Tel: 86-25-8473-2460

Fax: 86-25-8473-2470

#### China - Qingdao

Tel: 86-532-8502-7355

Fax: 86-532-8502-7205

#### China - Shanghai

Tel: 86-21-5407-5533

Fax: 86-21-5407-5066

#### China - Shenyang

Tel: 86-24-2334-2829

Fax: 86-24-2334-2393

#### China - Shenzhen

Tel: 86-755-8864-2200

Fax: 86-755-8203-1760

#### China - Wuhan

Tel: 86-27-5980-5300

Fax: 86-27-5980-5118

#### China - Xian

Tel: 86-29-8833-7252

Fax: 86-29-8833-7256

### ASIA/PACIFIC

#### China - Xiamen

Tel: 86-592-2388138

Fax: 86-592-2388130

#### China - Zhuhai

Tel: 86-756-3210040

Fax: 86-756-3210049

#### India - Bangalore

Tel: 91-80-3090-4444

Fax: 91-80-3090-4123

#### India - New Delhi

Tel: 91-11-4160-8631

Fax: 91-11-4160-8632

#### India - Pune

Tel: 91-20-3019-1500

#### Japan - Osaka

Tel: 81-6-6152-7160

Fax: 81-6-6152-9310

#### Japan - Tokyo

Tel: 81-3-6880-3770

Fax: 81-3-6880-3771

#### Korea - Daegu

Tel: 82-53-744-4301

Fax: 82-53-744-4302

#### Korea - Seoul

Tel: 82-2-554-7200

Fax: 82-2-558-5932 or

82-2-558-5934

#### Malaysia - Kuala Lumpur

Tel: 60-3-6201-9857

Fax: 60-3-6201-9859

#### Malaysia - Penang

Tel: 60-4-227-8870

Fax: 60-4-227-4068

#### Philippines - Manila

Tel: 63-2-634-9065

Fax: 63-2-634-9069

#### Singapore

Tel: 65-6334-8870

Fax: 65-6334-8850

#### Taiwan - Hsin Chu

Tel: 886-3-5778-366

Fax: 886-3-5770-955

#### Taiwan - Kaohsiung

Tel: 886-7-213-7828

#### Taiwan - Taipei

Tel: 886-2-2508-8600

Fax: 886-2-2508-0102

#### Thailand - Bangkok

Tel: 66-2-694-1351

Fax: 66-2-694-1350

### EUROPE

#### Austria - Wels

Tel: 43-7242-2244-39

Fax: 43-7242-2244-393

#### Denmark - Copenhagen

Tel: 45-4450-2828

Fax: 45-4485-2829

#### France - Paris

Tel: 33-1-69-53-63-20

Fax: 33-1-69-30-90-79

#### Germany - Dusseldorf

Tel: 49-2129-3766400

#### Germany - Karlsruhe

Tel: 49-721-625370

#### Germany - Munich

Tel: 49-89-627-144-0

Fax: 49-89-627-144-44

#### Italy - Milan

Tel: 39-0331-742611

Fax: 39-0331-466781

#### Italy - Venice

Tel: 39-049-7625286

#### Netherlands - Drunen

Tel: 31-416-690399

Fax: 31-416-690340

#### Poland - Warsaw

Tel: 48-22-3325737

#### Spain - Madrid

Tel: 34-91-708-08-90

Fax: 34-91-708-08-91

#### Sweden - Stockholm

Tel: 46-8-5090-4654

#### UK - Wokingham

Tel: 44-118-921-5800

Fax: 44-118-921-5820

07/14/15