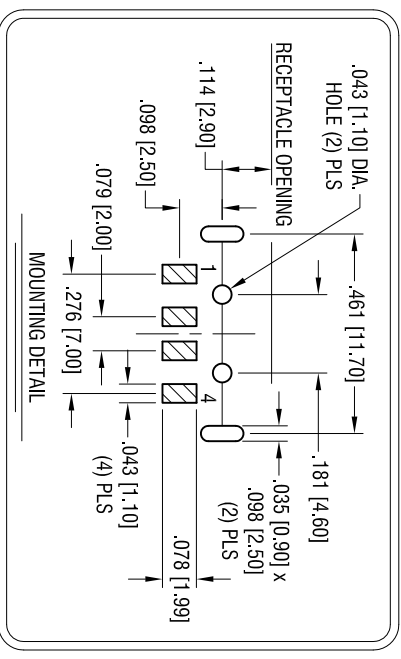
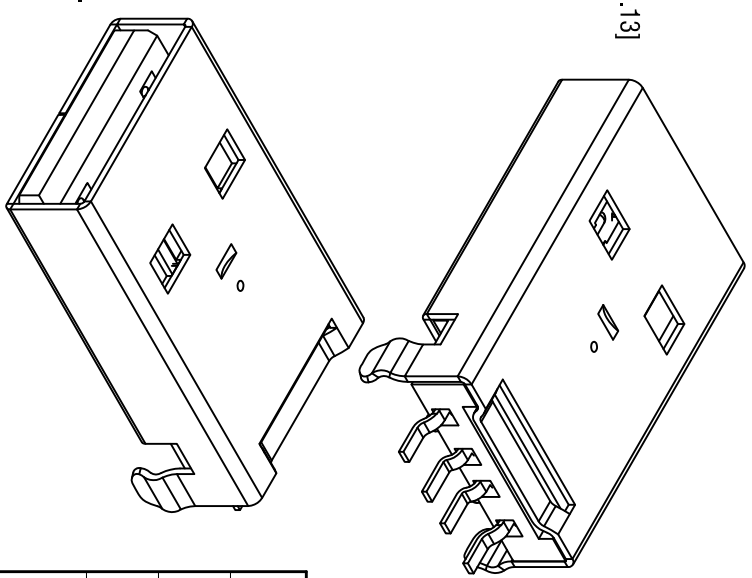
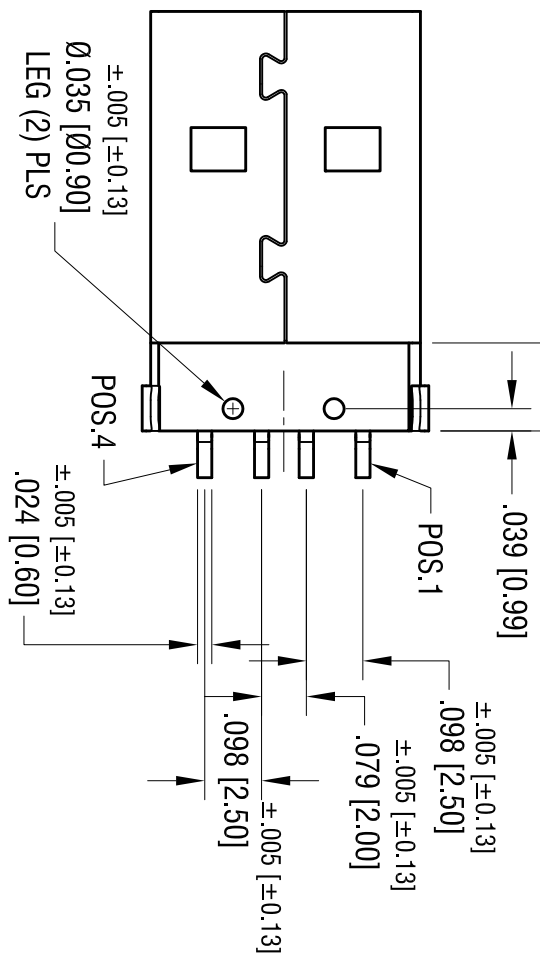
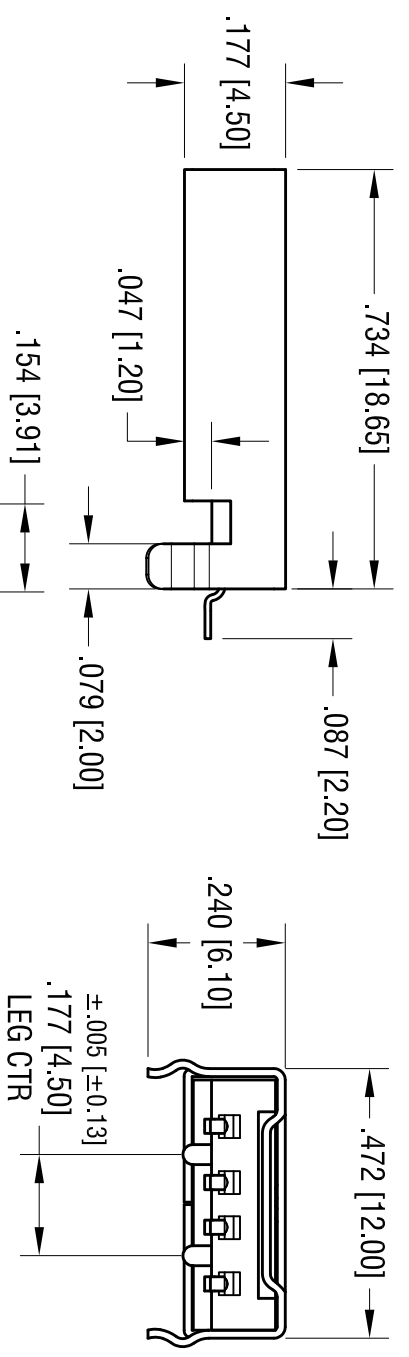


DATE	DESCRIPTION	REV.
12.21.09	CHANGE AS PER ECN 09-192	A



Notes:

- Material:**
- Shell: Steel, Nickel Plate.
- Insulator: Glass Filled LCP
- Contacts: Phosphor Bronze
- Finish:**
- Contact Area: Gold Plate over Nickel Plate
- on Solder Trail: Tin Plate over Nickel Plate

Electrical Specifications

- Rated Voltage: 30V AC (rms)
- Contact Current Rating: 1 A max.
- Contact Resistance: 30 milliohms Max.
- Dielectric Withstanding: 500V AC
- Operating Temperature: -20°C to 85°C

KEYSTONE ELECTRONICS CORP.

www.keystone.com • ASTORIA, N.Y. 11105-2017 • Tel (718) 956-8900

PART NAME
USB A-TYPE HORIZONTAL SMT PLUG

MATERIAL
AS NOTED

FINISH
AS NOTED

TOLERANCES	INCH	[MM]	CODE	DWG NO.
DECIMAL	± .010	[± 0.25]	C/M	
ANGULAR	± 1°			
UNLESS OTHERWISE SPECIFIED				
DRN BY	BOONE	DATE	6.13.06	
APP'D	LN	SCALE	3X	
931				

THIS DOCUMENT IS THE PROPERTY OF KEYSTONE ELECTRONICS CORP. AND SHALL NOT BE REPRODUCED, DISTRIBUTED OR USED AS A BASIS FOR MANUFACTURE WITHOUT PRIOR WRITTEN PERMISSION FROM KEYSTONE ELECTRONICS CORP.