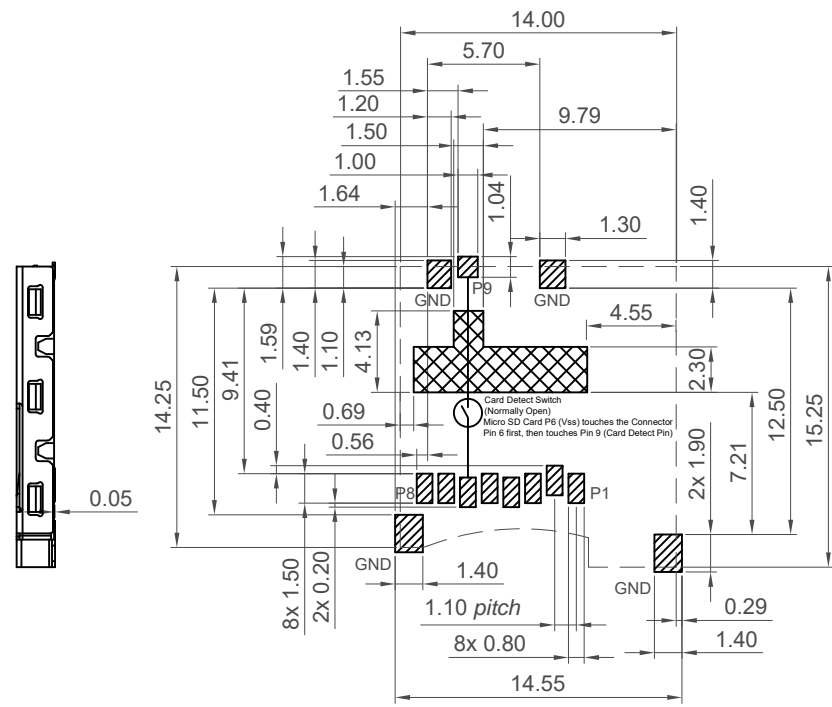
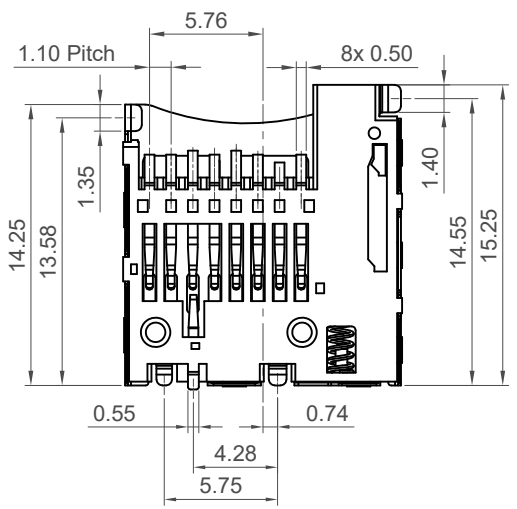
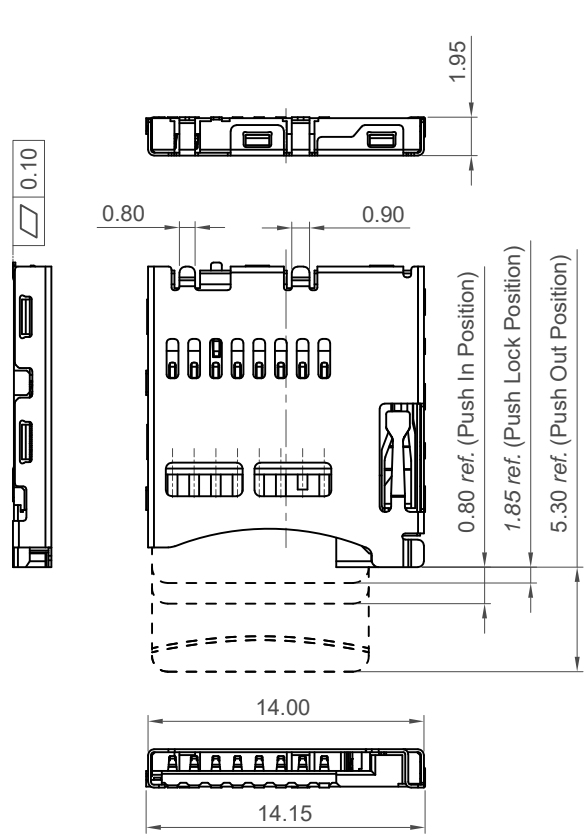


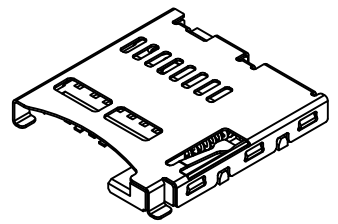
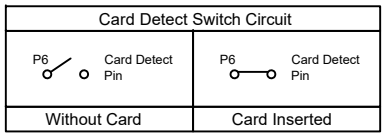
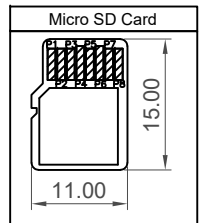
H
G
F
E
D
C
B
A



Recommended PCB Layout

As viewed from component side General Tolerance: ±0.05
 ▨ Solder Area ▩ Keep Out Area □ Component Outline

MICRO SD CARD PIN OUT		
Pin	Name	Description
P1	DAT2	Data Bit 2
P2	CD/DAT3	Card Detect/Data Bit 3
P3	CMD	Command Line
P4	V _{cc}	Supply Voltage 2.7v/3.6v
P5	CLK	Clock
P6	V _{ss}	Ground
P7	DAT0	Data Bit 0
P8	DAT1	Data Bit 1
P9	CD Pin	Card Detect Pin



Specifications

Material
 Housing&Slider: LCP, UL94V-0, Black
 Terminal& Card Detect Pin: Phosphor Bronze
 Shell: Stainless Steel
 Coil Spring: SWP
 Latch: Stainless Steel

Plating

Terminal:
 Under-plating: 50µ" min. Nickel all over
 Contact Area: Gold Flash
 Soldering Area: 80µ" min. Matte Tin
Shell :
 Under-plating : 50µ" Nickel all over
 Soldering Area : Gold Flash
Card Detect Pin:
 Under-plating: 50µ" min. Nickel all over
 Contact Area: Gold Flash
 Solder Tail : Gold Flash
 Coil Spring&Latch: Clear

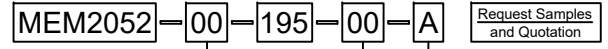
Electrical

Voltage Rating: 10 V AC max
 Current Rating: 0.5 A max.
 Contact Resistance: 100mΩ max.
 Insulating Resistance: 1000MΩ min. at 500 V DC
 Dielectric Withstand Voltage: 500 V AC

Mechanical & Environmental

Durability: 10000 Cycles
 Operating Temperature: -40°C to +85°C

Ordering Grid



Switch: 00 = Normally Open
 Locating Post: 00 = Without
 Packing Options: A = Tape & Reel (1000 per Reel)

Part Number		Product Description	
MEM2052		Micro SD Memory Card Connector	
Drawing Date		Push-Push, SMT, Card Entry Normal, 1.95mm Profile	
23rd November 2022			
By	CC	Tolerances (Except as Noted)	Units:
Detail	Drawing Release	Length: X.X ±0.35	Metric (mm)
Revision	A1	Angle: X.XX ±0.25	±2°
Date	15/03/23	X.XXX ±0.15	3rd Angle Projection

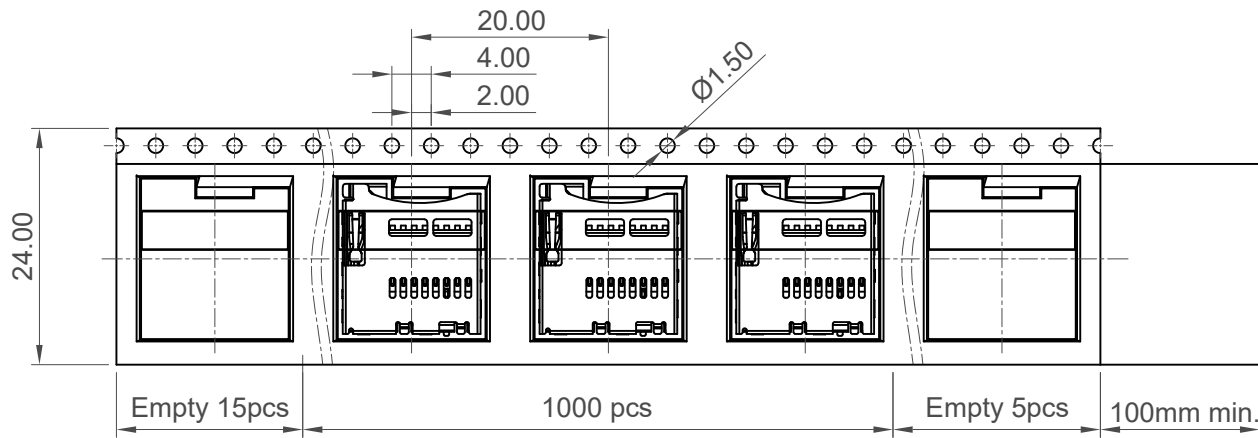


This drawing is confidential and copyright of Global Connector Technology, Ltd (GCT). This drawing must not be copied or disclosed without written consent. E & OE

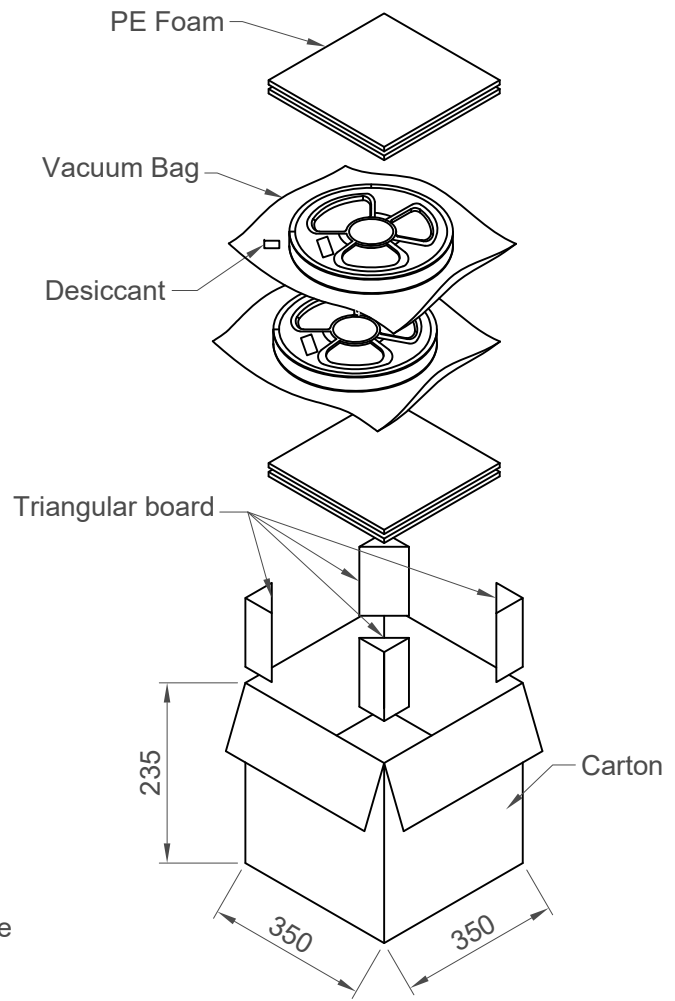
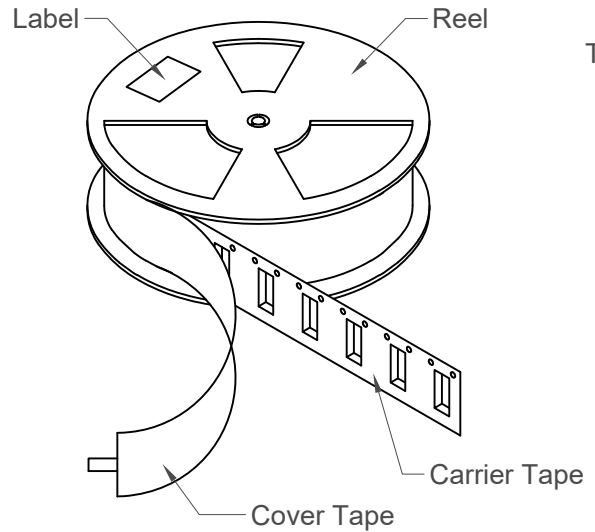
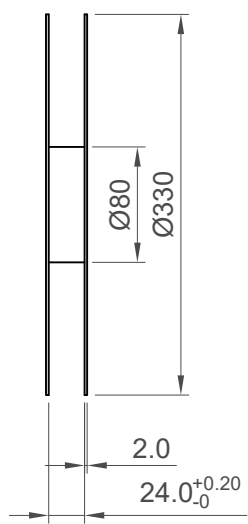
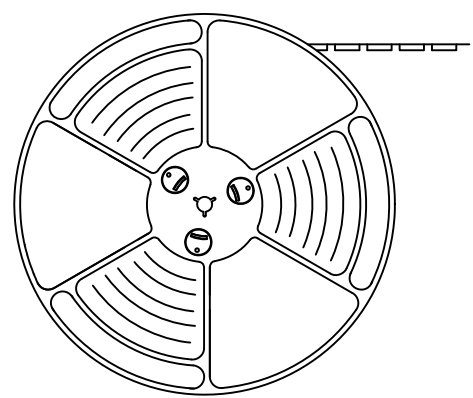


www.gct.co

Not to Scale	Drawn By CC	Sheet No. 1/2
--------------	-------------	---------------



Pull out direction
→



Pcs/Reel	Reels/Carton	Pcs/Carton
1000	6	6000

Part Number		Product Description			This drawing is confidential and copyright of Global Connector Technology, Ltd (GCT). This drawing must not be copied or disclosed without written consent. E & OE
MEM2052		Micro SD Memory Card Connector			
Drawing Date		Push-Push, SMT, Card Entry Normal, 1.95mm Profile			
23rd November 2022					Not to Scale Drawn By CC Sheet No. 2/2
By	CC	Tolerances (Except as Noted)	Units:		
Detail	Drawing Release	Length	Metric (mm)		
Revision	A1	Angle	±2°		
Date	15/03/23	X.X ±0.35			
		X.XX ±0.25			
		X.XXX ±0.15			

