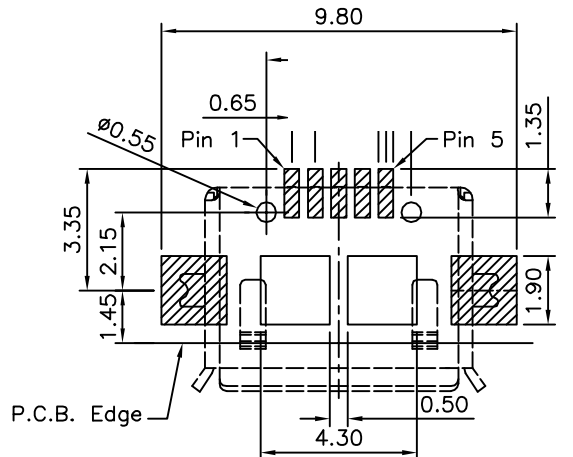
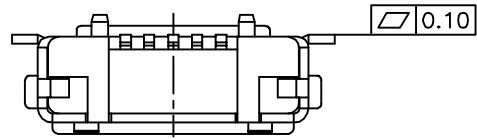
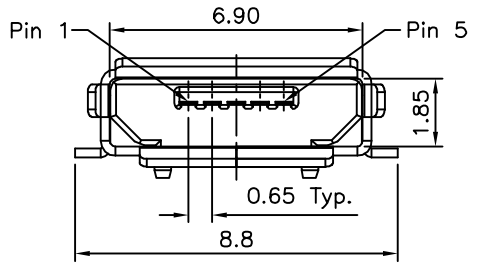
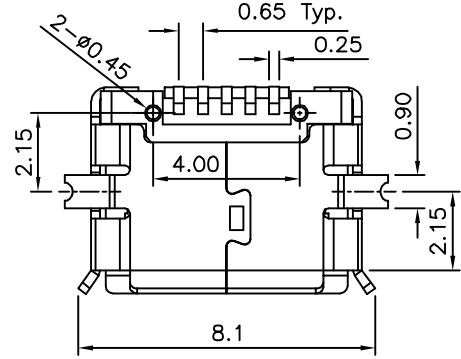
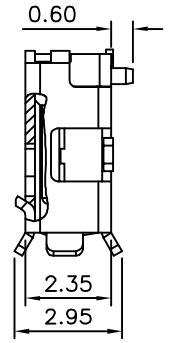
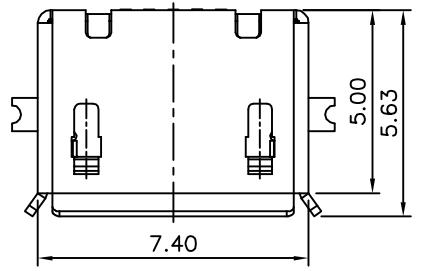


SPECIFICATION

Current Rating: 1.8 Amp Max. (Only Pin 1,5)
 Other 1 Amp Max.
 Dielectric Withstanding Voltage: 100V AC For 1 Minute
 Contact Resistance: 30 Milliohms Max.
 Insulation Resistance: 100 Megaohms Min. At DC 500V
 Operation Temperature: -25°C ~ +105°C
 Housing: Hi-Temp. Plastic (UL94V-0)
 Shell: Copper Alloy, Nickel Plated
 Terminal: Copper Alloy, Gold Plated
 RoHS Compliant



Recommended P.C.B. Layout (Top View)
 (PCB Board Tolerance ±0.05)



4UCON 元化興業股份有限公司
 4UCON TECHNOLOGY INC.

DRAWING No.		APPROVED BY		UNLESS OTHERWISE SPECIFIED TOLERANCES ARE .X ±0.30 .XX ±0.20 .XXX ±0.10 ANG. ±3°
20013		MEI		
		CHECKED BY HZF		
		DRAWING BY WZL		
SCALE	NONE	REV.	A0	UNIT mm

△ A0	NEW RELEASE	HZF	07/11/2009
NO. REV.	REVISIONS	CHK	DATE