

1. Table of Contents (This Page)
Created on Thu Dec 12 07:19:24 2013

2. top

3. bottom

4. GND plane

5. power plane

6. outline

7. plated-drill

8. componentmask

9. soldermask

10. topsilk

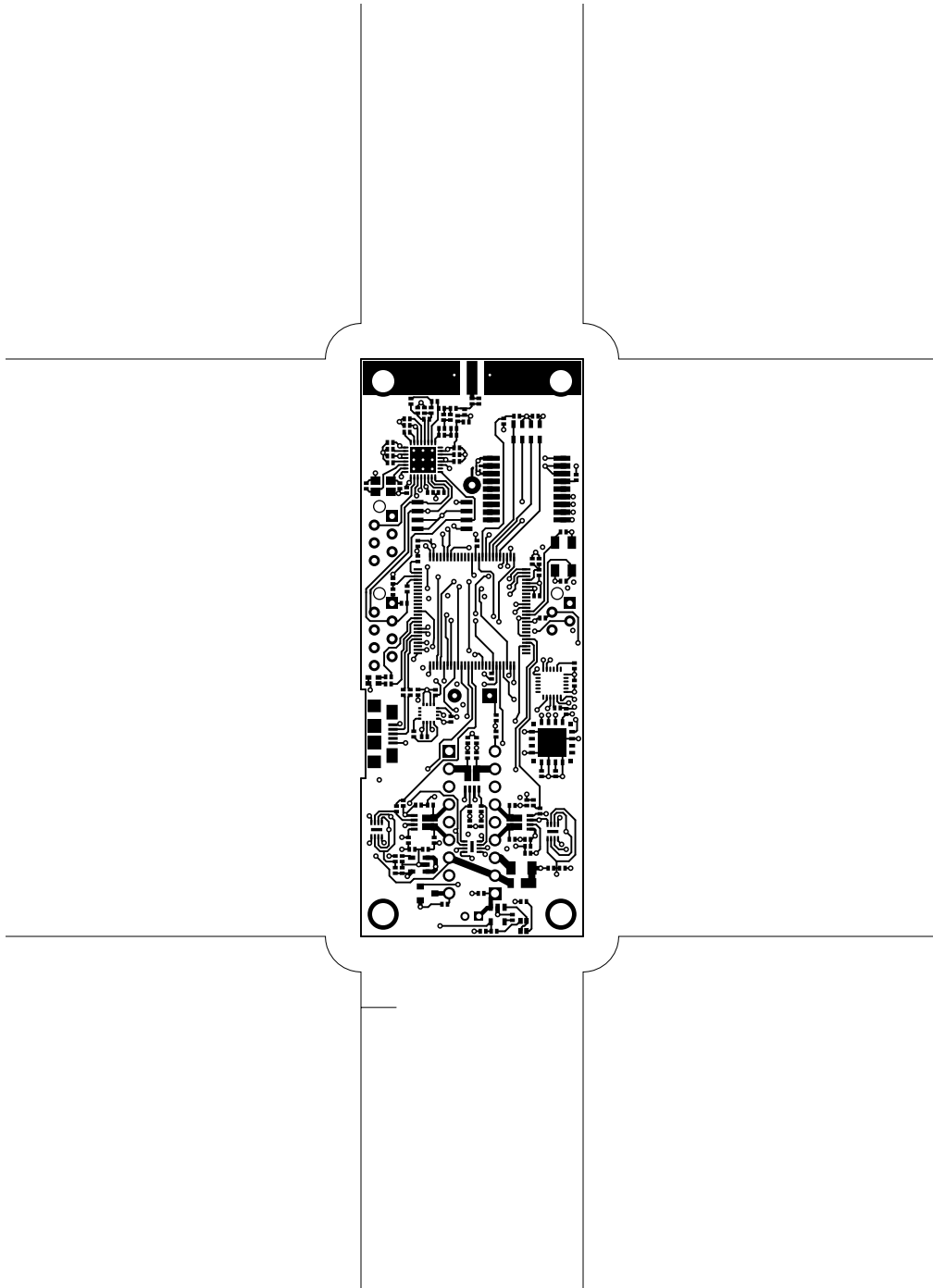
11. bottomsilk

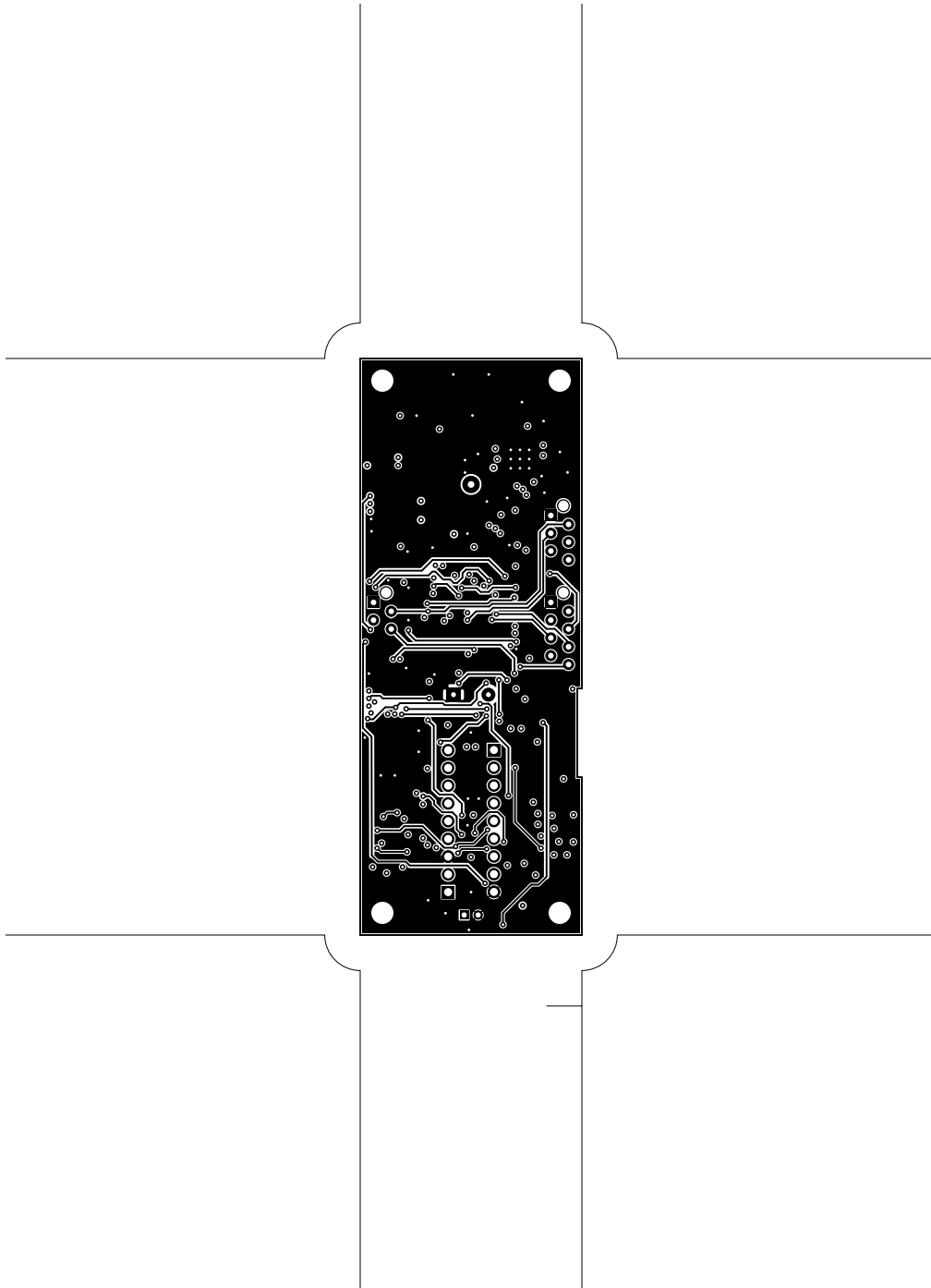
12. toppaste

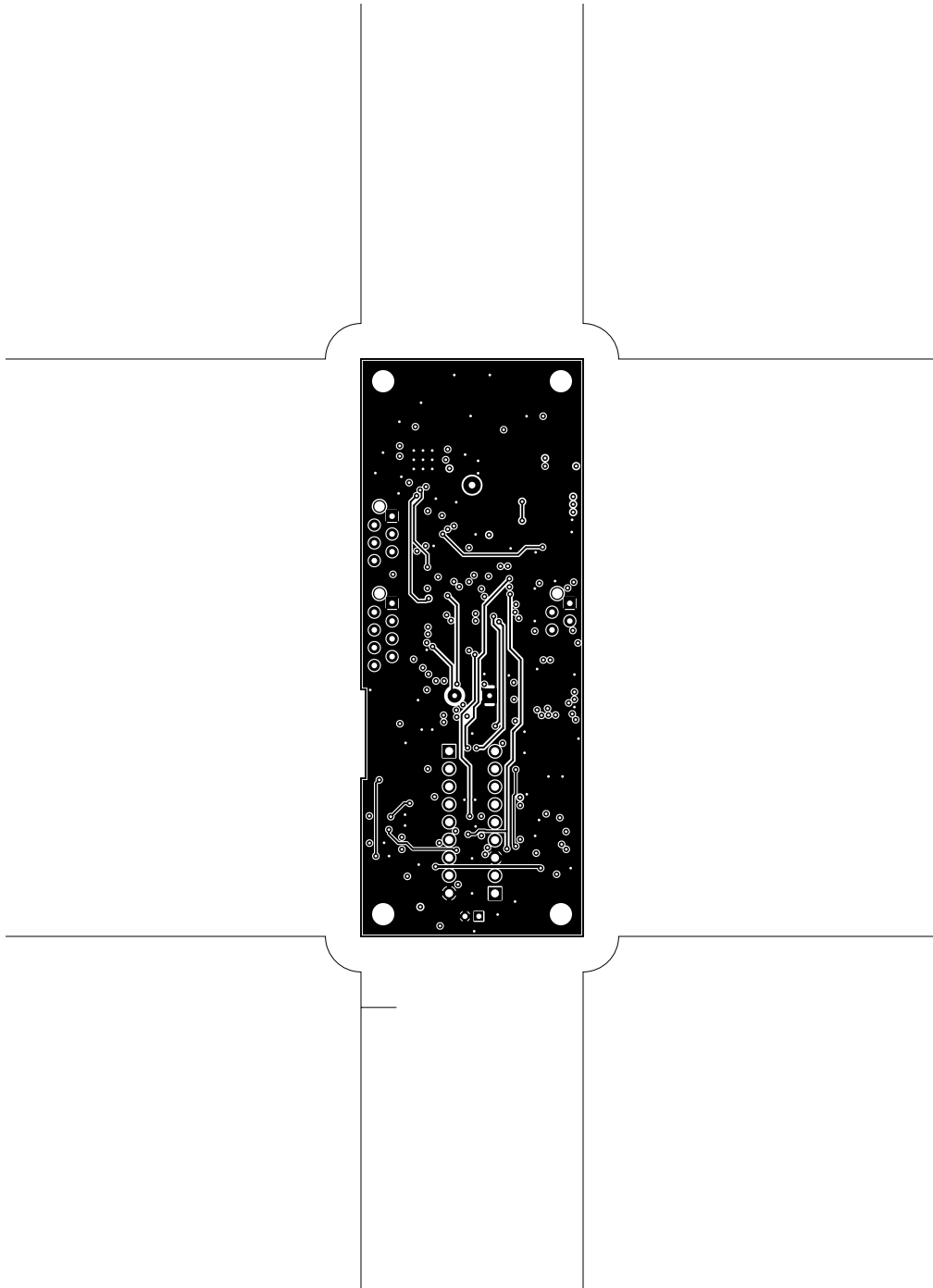
13. topassembly

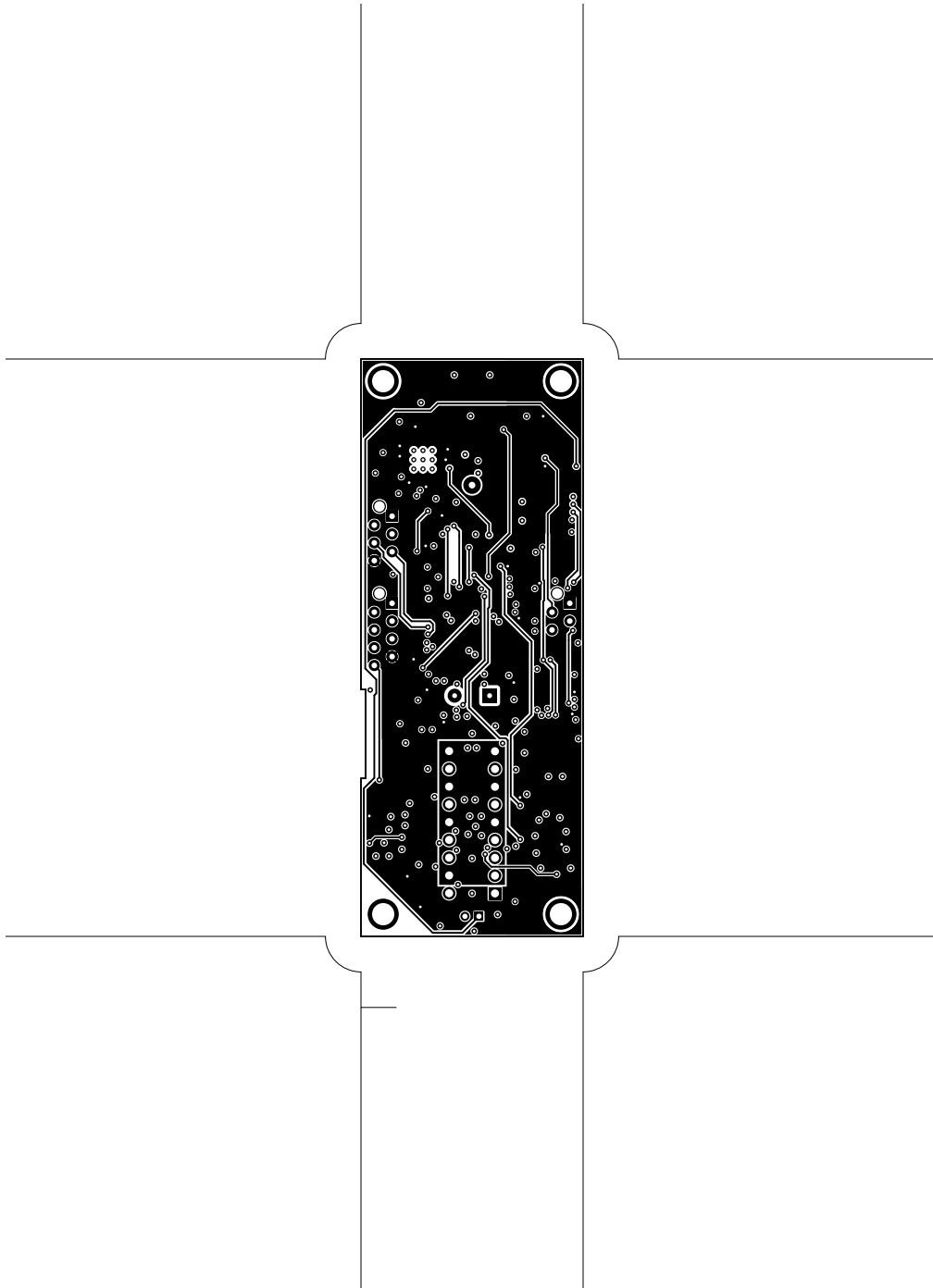
14. bottomassembly

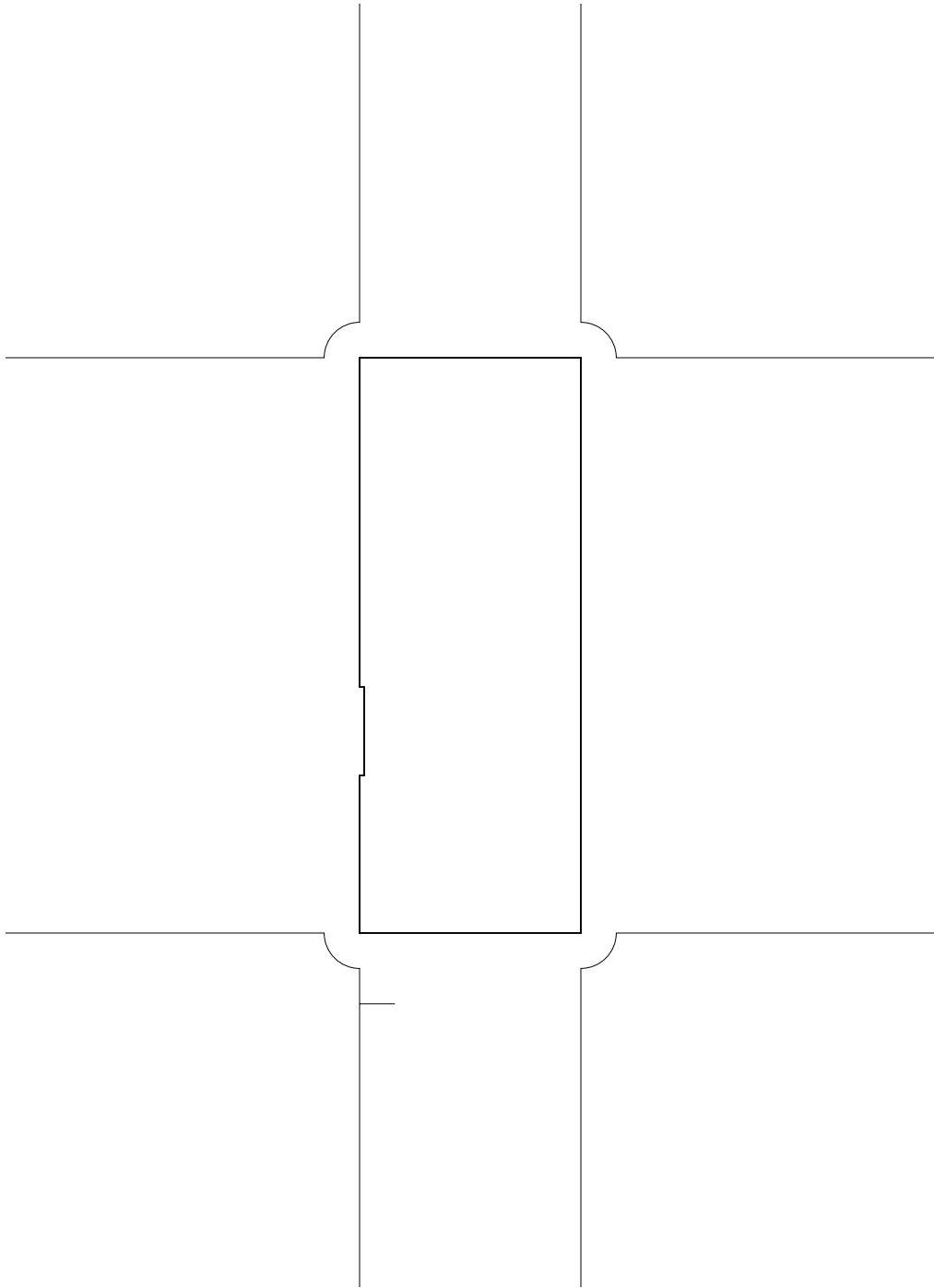
15. fab

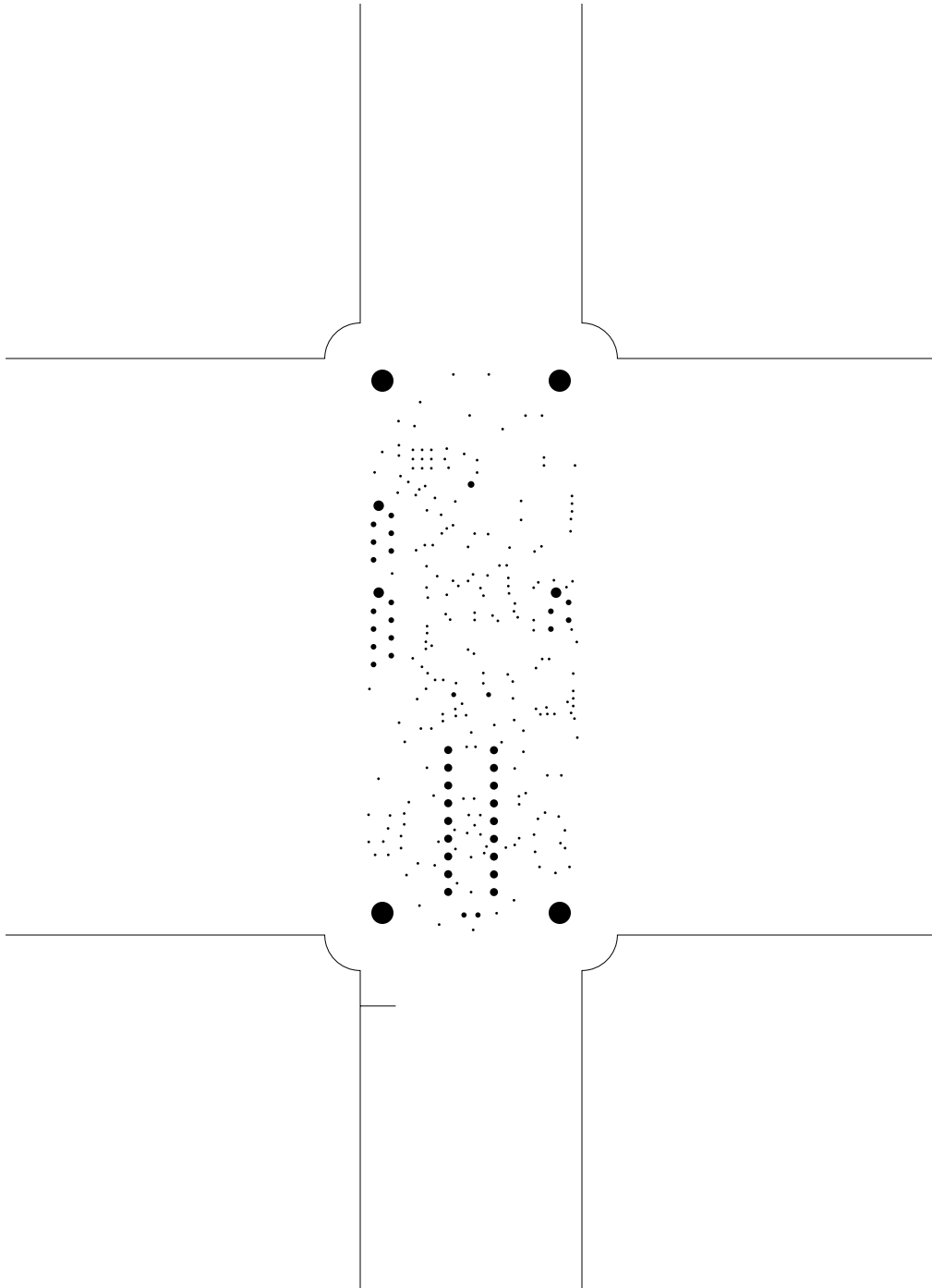


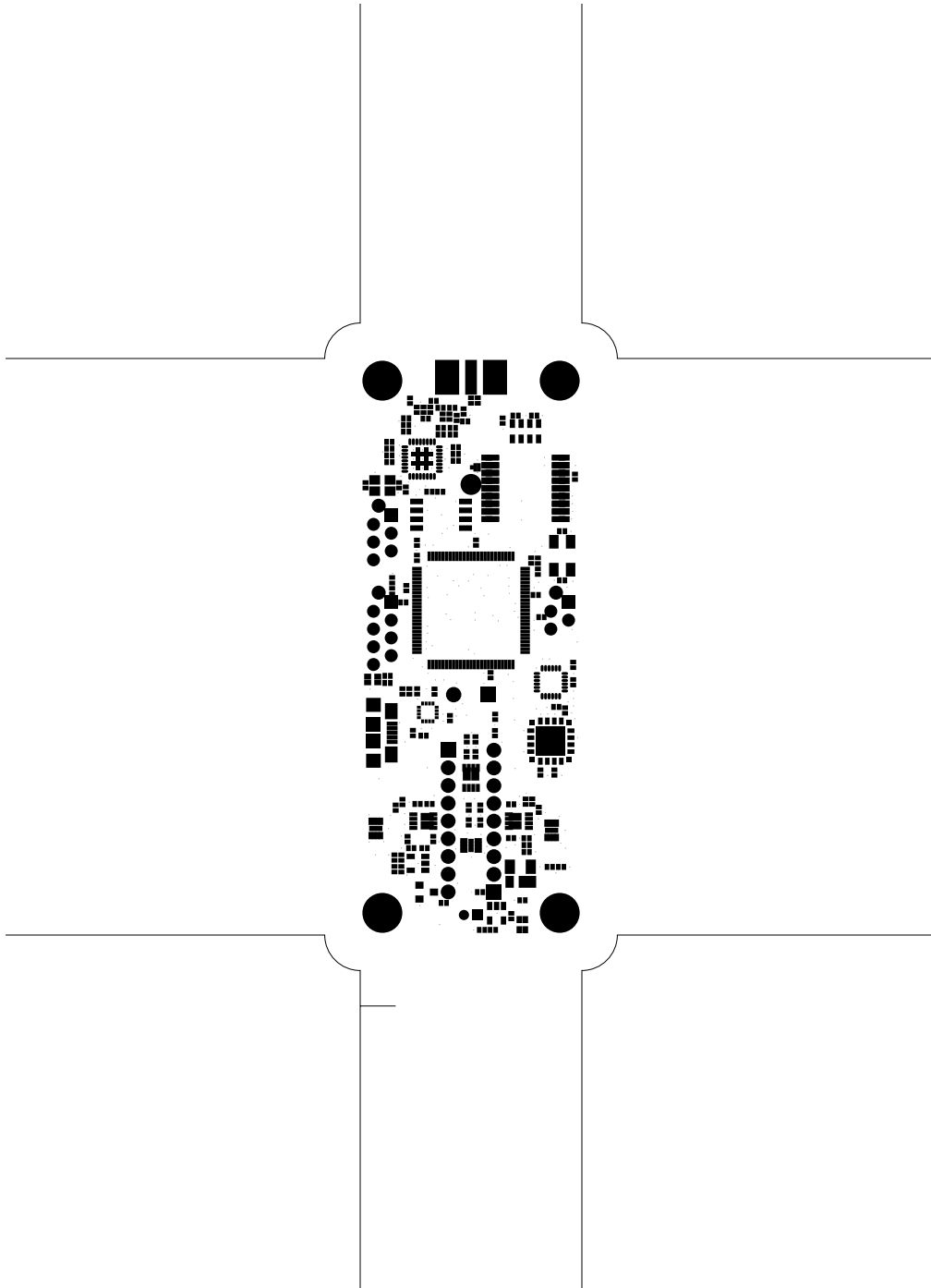


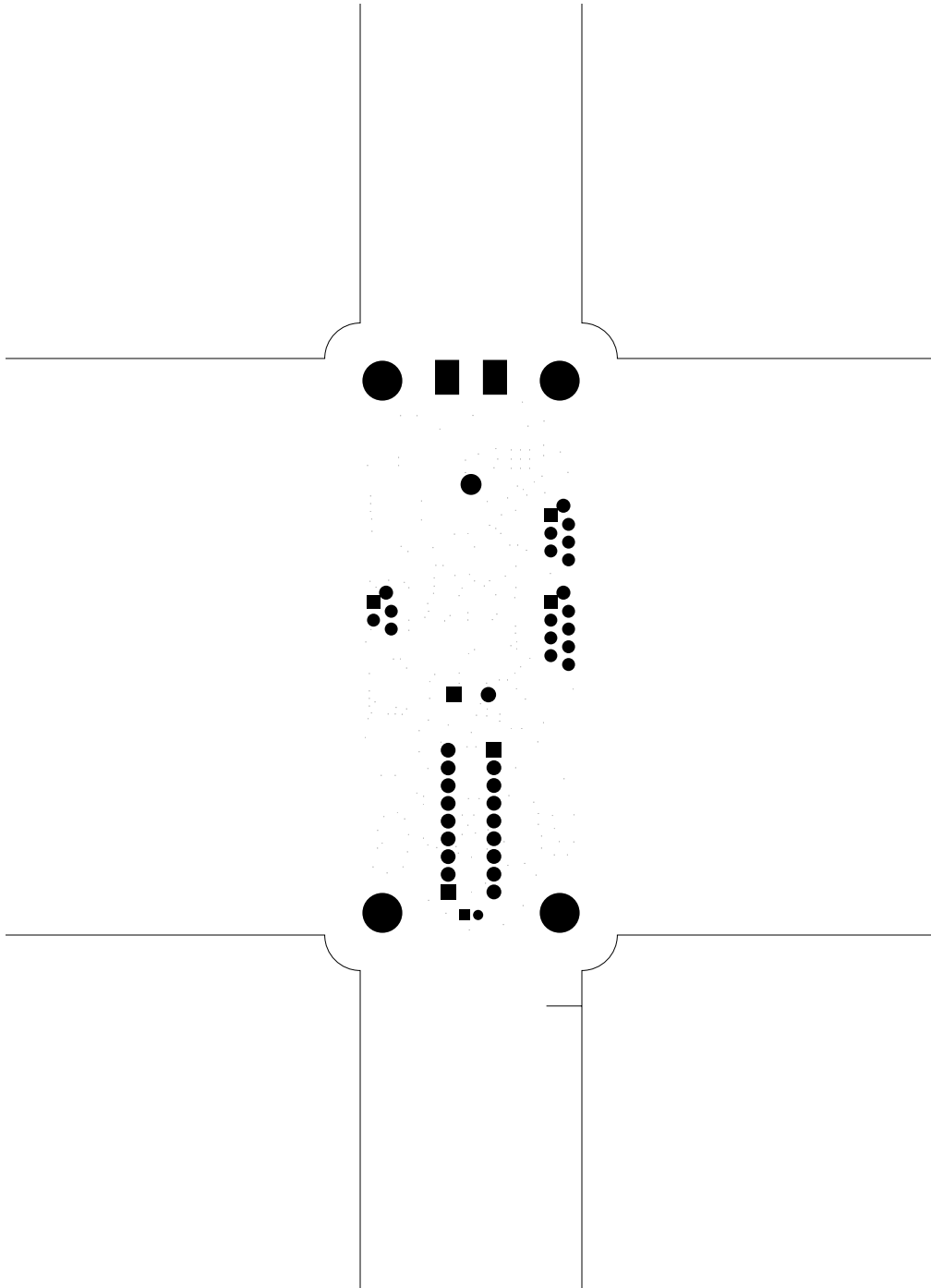


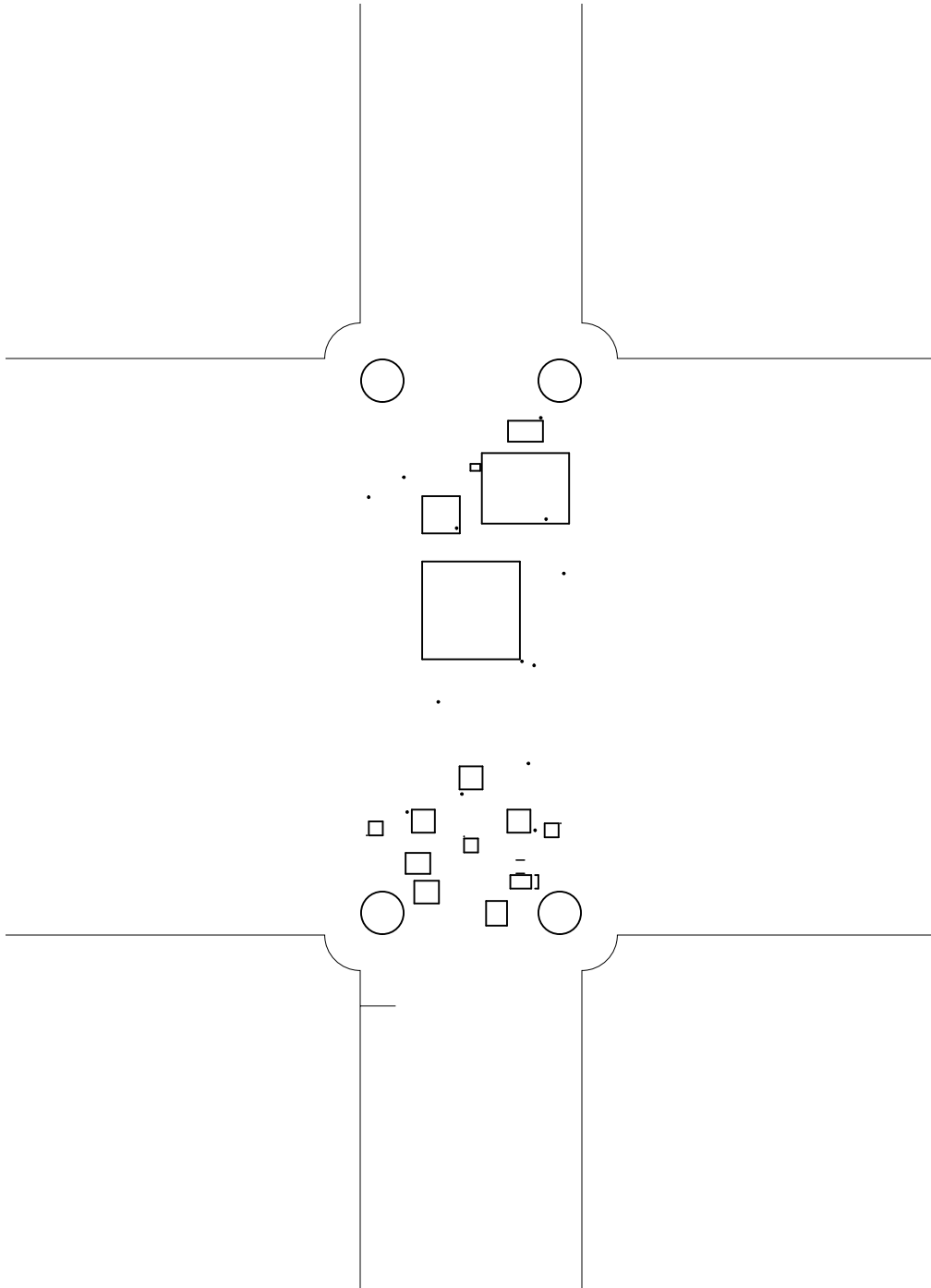


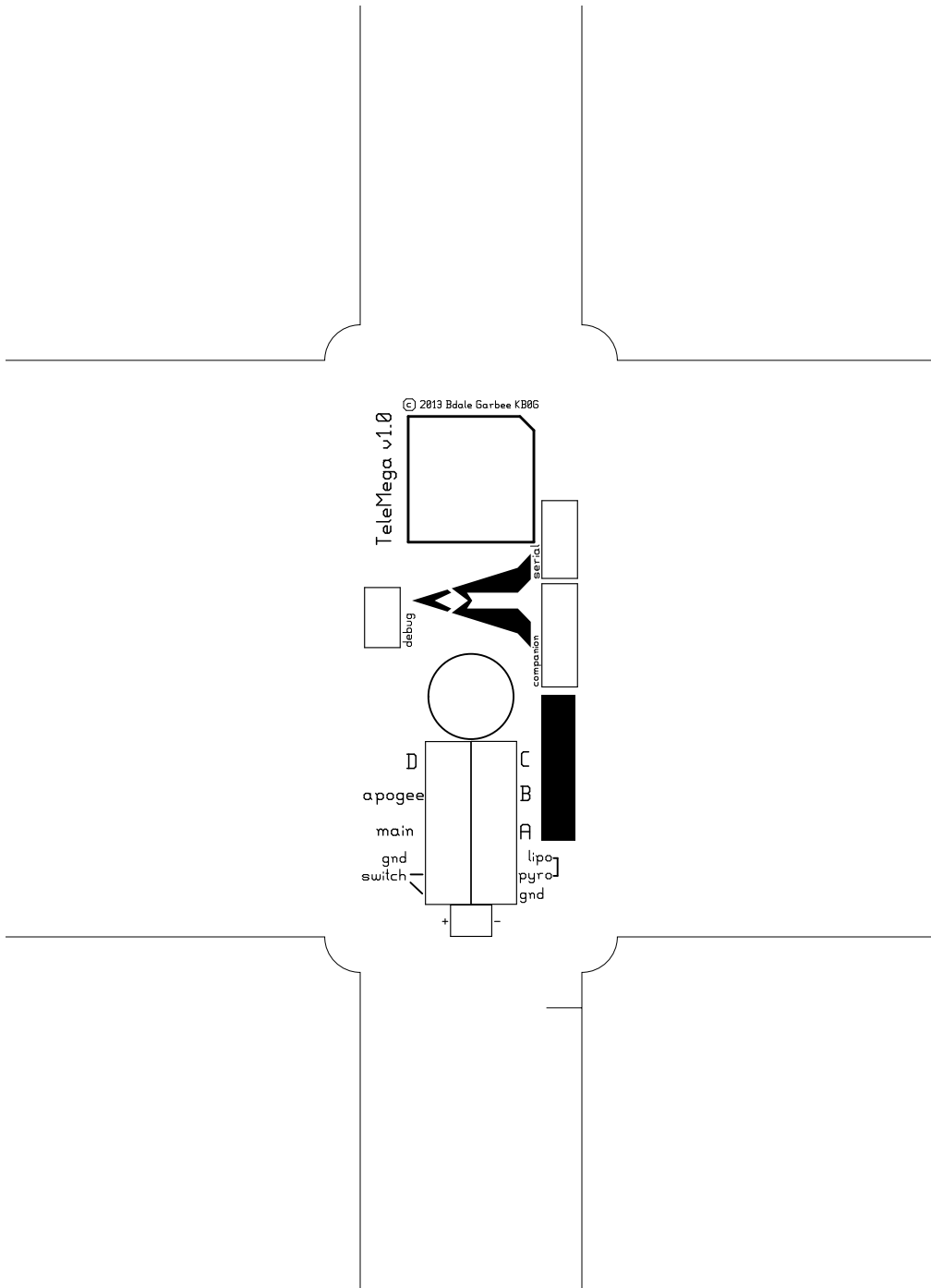


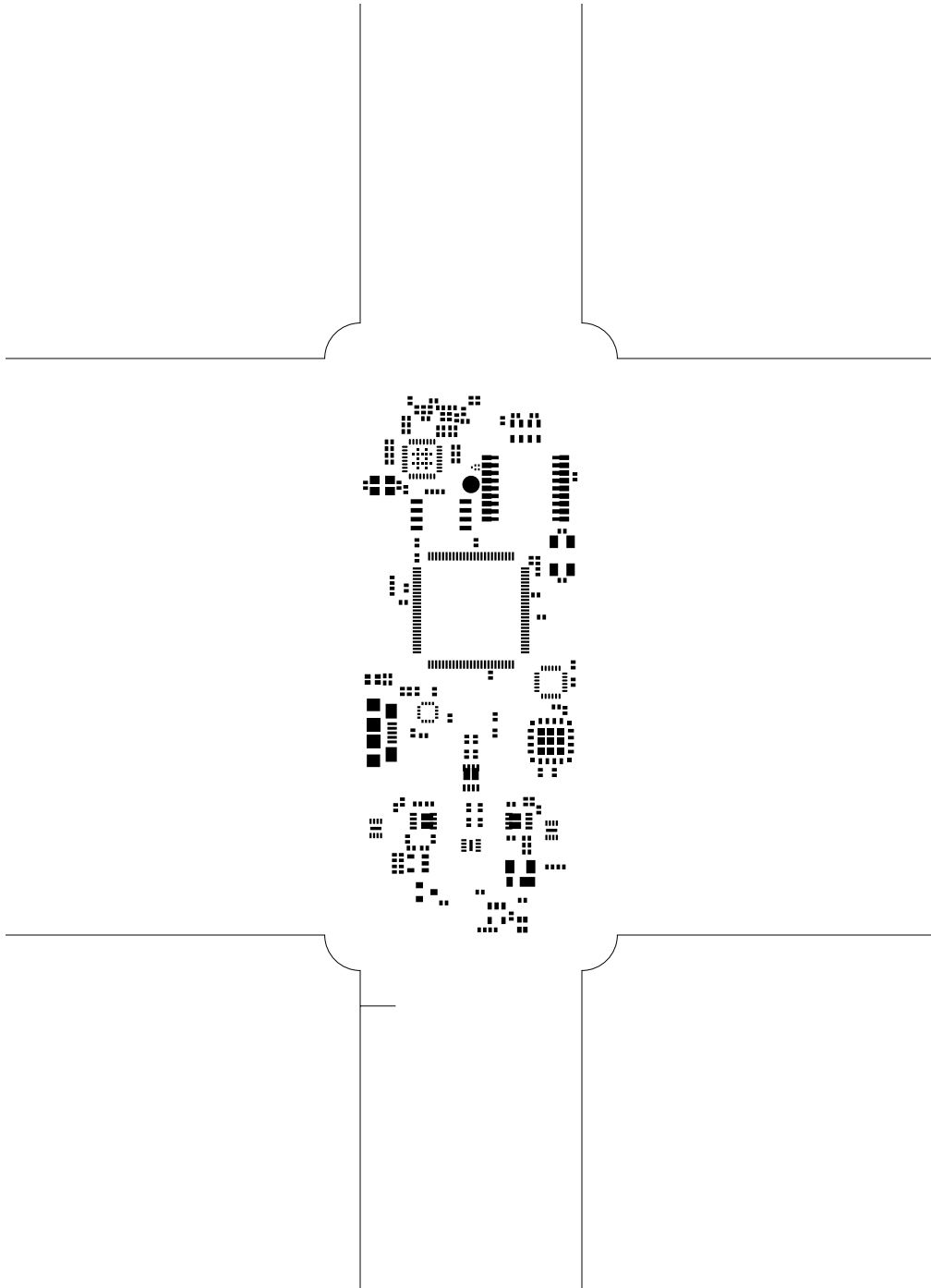


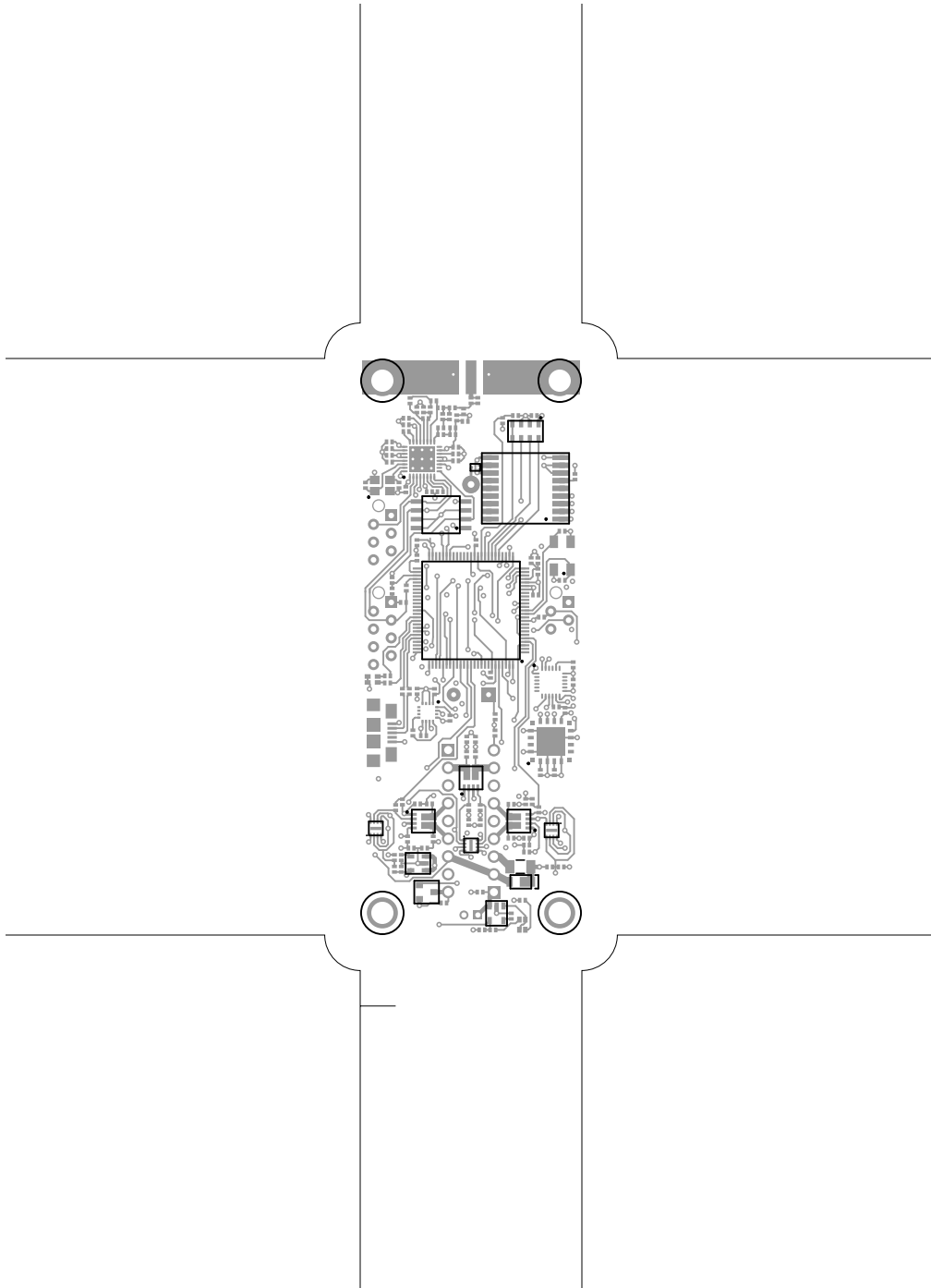


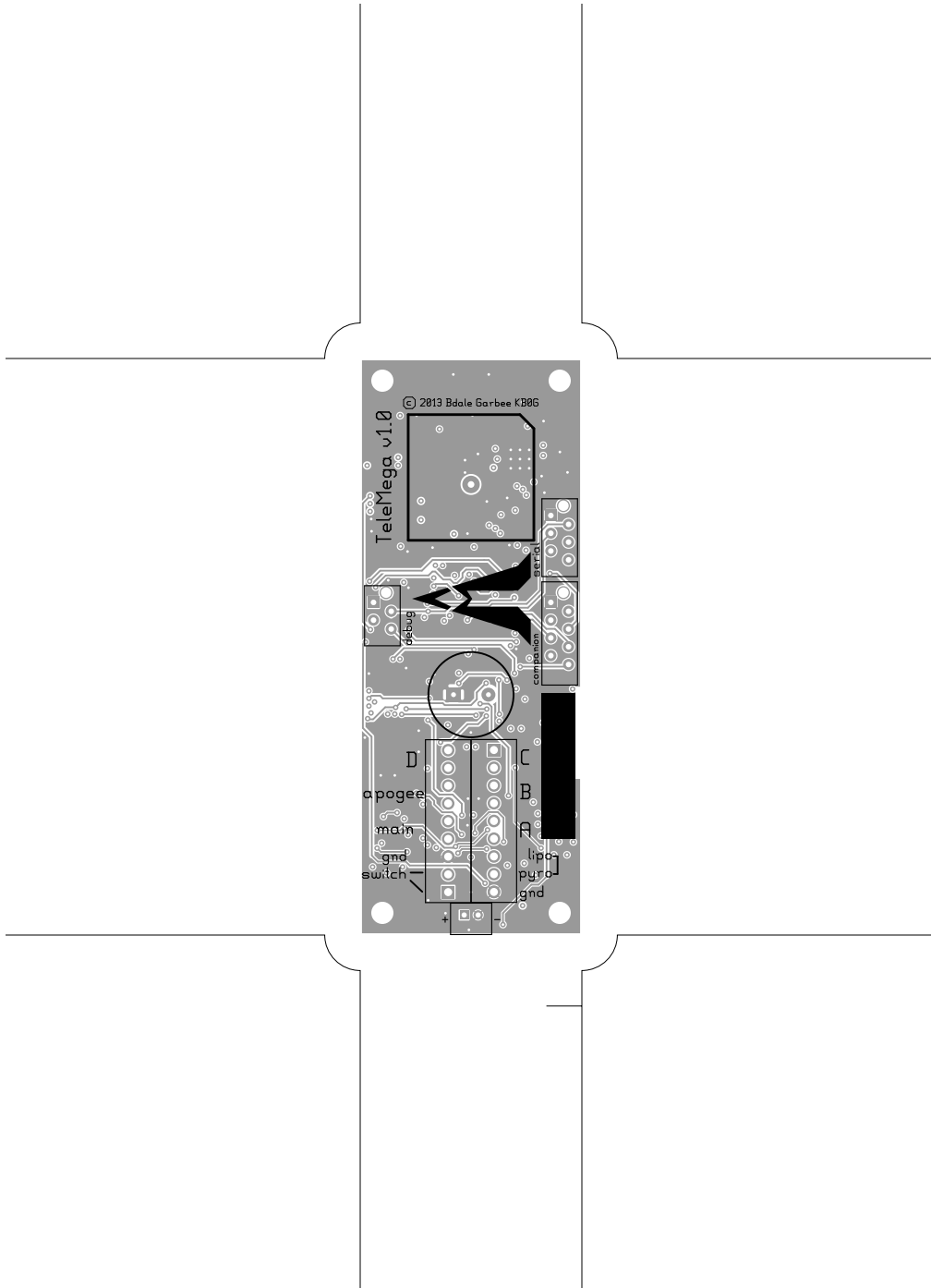












TeleMega, bottomassembly (mirrored), scale = 1:1.000
telemega.pcb

There are 8 different drill sizes used in this layout, 257 holes total

Symbol	Diam. (Inch)	Count	Plated?
Y	0.015	209	YES
+	0.028	2	YES
x	0.030	2	YES
o	0.032	18	YES
□	0.037	1	YES
▽	0.045	18	YES
⊕	0.059	3	YES
⊗	0.125	4	YES

Title: TeleMega - Fabrication Drawing
 Author: Bdale Garbee
 Date: Thu 12 Dec 2013 02:19:25 PM GMT UTC

