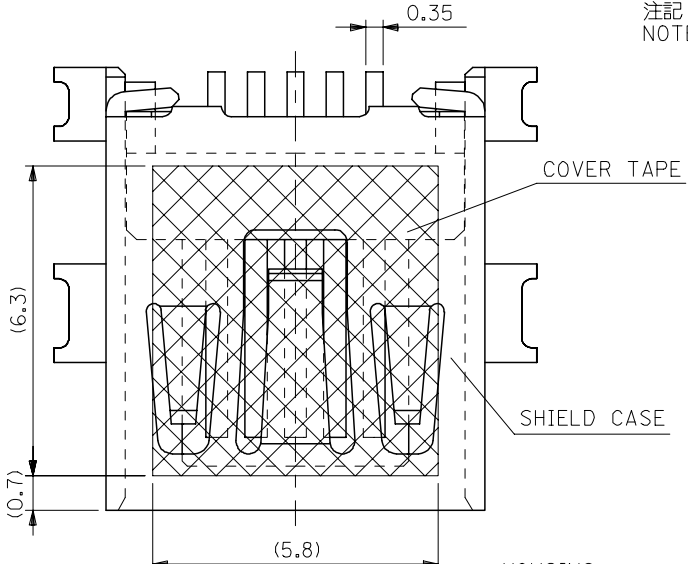


10 9 8 7 6 5 4 3 2 1



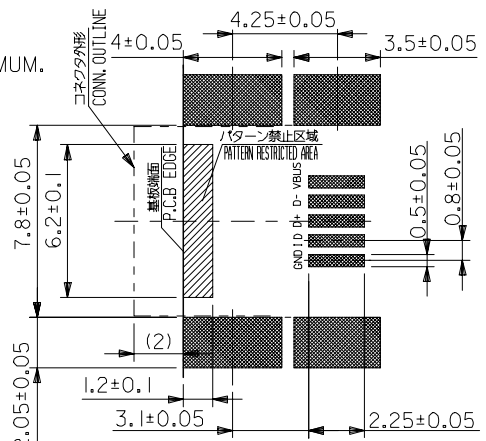
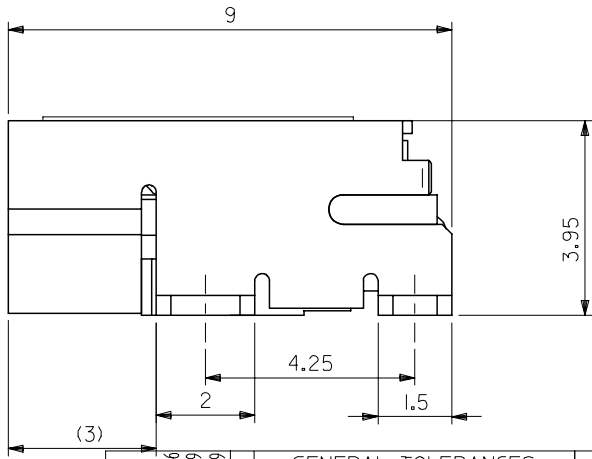
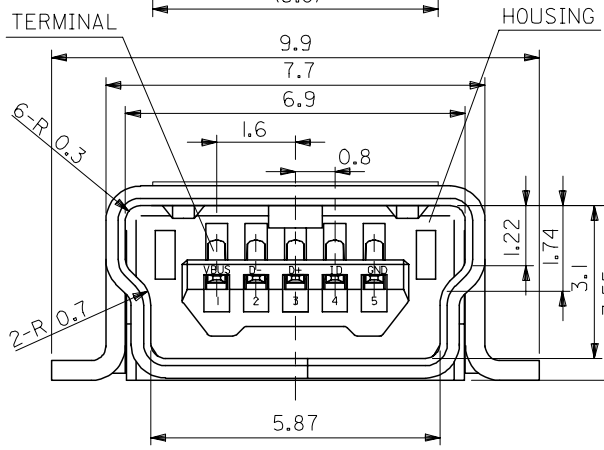
注記 1. 材質  
NOTES MATERIAL

ハウジング: ポリフタルアミド ガラス充填, 黒色, UL 94V-0  
HOUSING: POLYPHTHAL AMIDE GLASS FILLED, BLACK, UL 94V-0  
ターミナル: 銅合金 (t=0.2)  
TERMINAL: COPPER ALLOY (t=0.2)  
シールド ケース: 銅合金 (t=0.4)  
SHIELD CASE: COPPER ALLOY (t=0.4)  
カバー テープ: ポリイミド (t=0.08)  
COVER TAPE: POLYIMIDE (t=0.08)

2. メッキ仕様  
PLATING

ターミナル  
TERMINAL  
接点部: 金メッキ 0.75μm MIN.  
CONTACT AREA: GOLD 0.75 MICROMETER MINIMUM.  
半田付け部: 錫メッキ 無光沢 1.0μm MIN.  
SOLDER TAIL AREA: MATTE TIN 1.0 MICROMETER MINIMUM.  
下地部: ニッケルメッキ 4.0μm MIN.  
UNDER PLATING: NICKEL 4.0 MICROMETER MINIMUM.  
シールド ケース  
SHIELD CASE  
: 錫メッキ 半光沢 1.0μm MIN.  
: SEMI-MATTE TIN 1.0 MICROMETER MINIMUM.  
下地部: ニッケルメッキ 4.0μm MIN.  
UNDER PLATING: NICKEL 4.0 MICROMETER MINIMUM.

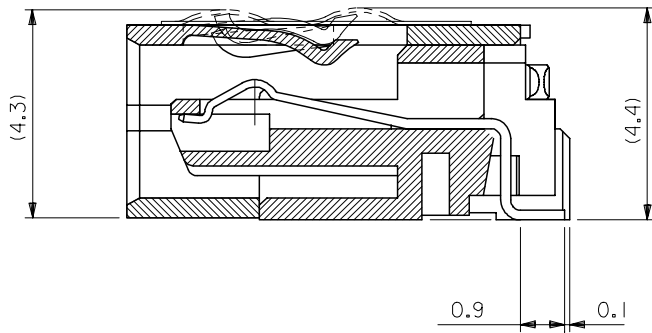
3. テール、ネール平坦度は0.1mm MAX.  
TAIL, NAIL COPLANARITY 0.1mm MAX.  
4. 本製品は54819-0571の鉛フリー品である。  
THIS PRODUCT IS LEAD FREE OF 54819-0571.



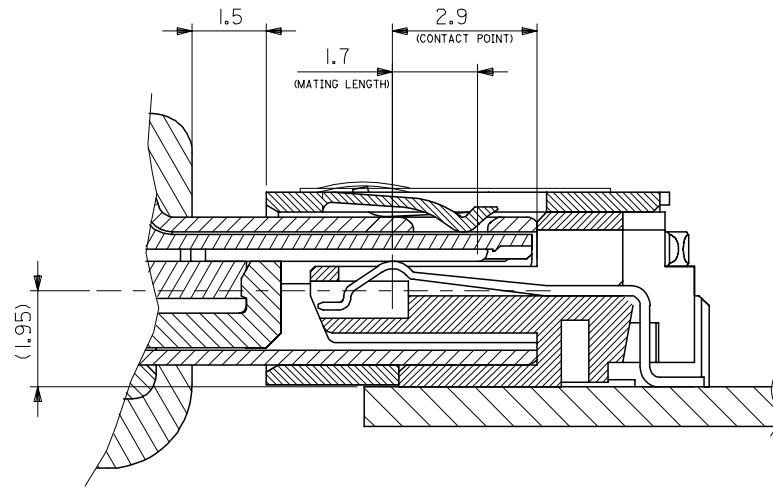
推奨基板寸法 (部品実装側)  
RECOMMENDED P.C.B. PATTERN LAYOUT (PART MOUNT SIDE)

54819-0579  
MATERIAL NO.

REVISED EC NO: J2006-3494 DRW: KSAI T001 2006/05/16 CHK: D. TANAKA 2006/05/19 APPR: NUKITA 2006/05/19	DESCRIPTION REV	GENERAL TOLERANCES (UNLESS SPECIFIED)		DIMENSION STYLE MM ONLY	SCALE 10:1	DESIGN UNITS METRIC	THIRD ANGLE PROJECTION	
		10 UNDER	±0.2	DRAWN BY H. KAWABATA	DATE 2004/05/21	TITLE USB SERIES MINI-B RECEPTACLE ASS'Y FOR SMT -LEAD FREE-		
		10 OVER 30 UNDER	±0.25	CHECKED BY K. TOJO	DATE 2004/05/21	MOLEX INCORPORATED		
		30 OVER	±0.3	APPROVED BY M. SASAO	DATE 2004/05/21			
		ANGULAR	±3 °	MATERIAL NO.	DOCUMENT NO.	SHEET NO.		
DRAFT WHERE APPLICABLE MUST REMAIN WITHIN DIMENSIONS		SIZE A3	SEE CHART	SD-54819-027	1 OF 2			



SECTION



MATING

MATERIAL 材料	SEE NOTES
FINISH 仕上げ	SEE NOTES

REVISED EC NO: J2006-3494 DRWNG: KAITO01 2006/05/16 CHKD: TANAKA 2006/05/19 APPR: NUKITA 2006/05/19	GENERAL TOLERANCES (UNLESS SPECIFIED)		DIMENSION STYLE MM ONLY		SCALE 10:1	DESIGN UNITS METRIC	MODEL NO.   54819-***79	
	10 UNDER	± 0.2	DRAWN BY H. KAWABATA		DATE 2004/05/21		TITLE USB SERIES MINI-B RECEPTACLE ASS'Y FOR SMT -LEAD FREE-	
	10 OVER 30 UNDER	± 0.25	CHECKED BY K. TOJO		DATE 2004/05/21		MATERIAL NO.	
	30 OVER	± 0.3	APPROVED BY M. SASAO		DATE 2004/05/21		DOCUMENT NO. SD-54819-027	
	ANGULAR ± 3 °	DRAFT WHERE APPLICABLE MUST REMAIN WITHIN DIMENSIONS		SEE CHART		SHEET NO. 2 OF 2		
		THIS DRAWING CONTAINS INFORMATION THAT IS PROPRIETARY TO MOLEX INCORPORATED AND SHOULD NOT BE USED WITHOUT WRITTEN PERMISSION						

10 9 8 7 6 5 4 3 2 1

F

E

D

C

B

A

F

E

D

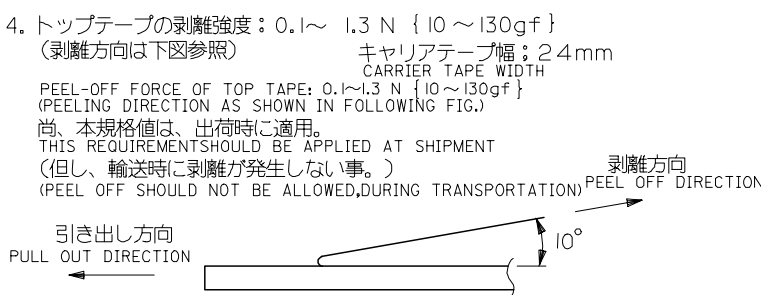
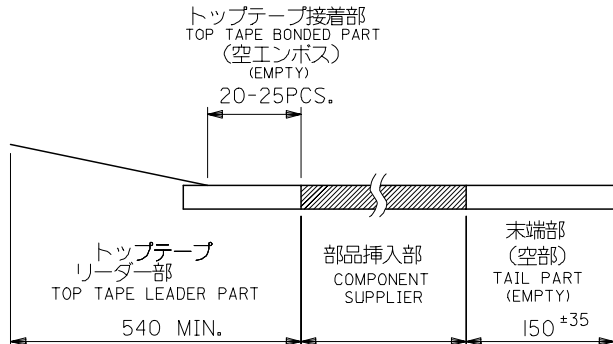
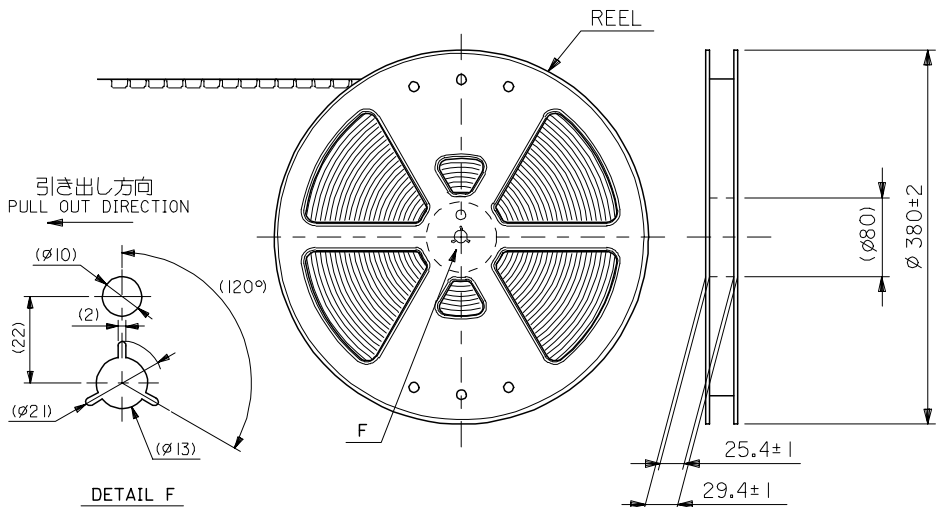
C

B

A

NOTES

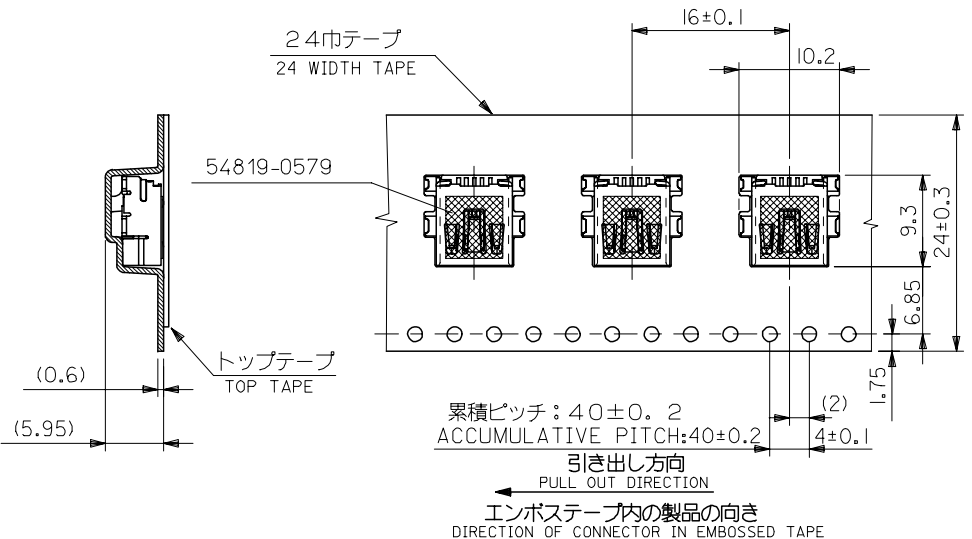
- 54819-0579の詳細はSD-54819-027参照  
IN THE PACKAGE PART NO.54819-0579 DETAILED, SEE SD-54819-027
- 梱包数量: 800 個/リール  
NUMBER OF CONNECTORS: 800 PCS/REEL
- リードテープ長さ  
LEAD TAPE LENGTH



- 材料  
MATERIAL  
キャリアテープ: ポリプロピレン  
CARRIER TAPE: POLYPROPYLENE  
トップテープ: ポリエステル, ポリエチレン  
TOP TAPE: POLYESTER, POLYETHLENE  
リール: ポリスチレン  
REEL: POLYSTYRENE

- 本製品は 54819-0578 の鉛フリー品である。  
THIS PRODUCT IS LEAD FREE OF 54819-0578.

54819-0572  
MATERIAL NO.



REVISED EC NO: J2006-0378 DRWN: YANAGI MOTO 2005/08/03 CHKD: TANAKA 2005/08/03 APPR: NUKITA 2005/08/17	GENERAL TOLERANCES (UNLESS SPECIFIED)		DIMENSION STYLE MM ONLY		MODEL NO.	54819-**-72	SCALE 2:1		DESIGN UNITS METRIC	THIRD ANGLE PROJECTION	
	10 UNDER	±0.2	DRAWN BY H. KAWABATA		DATE 2004/05/21		TITLE USB SERIES MINI-B REC.HS'G EMBOSSED ASS'Y -LEAD FREE-				
	10 OVER 30 UNDER	±0.25	CHECKED BY K. TOJO		DATE 2004/05/21		MOLEX INCORPORATED				
	30 OVER	±0.3	APPROVED BY M. SASAO		DATE 2004/05/21		DOCUMENT NO. SD-54819-028				
1	ANGULAR	±3 °	MATERIAL NO.		SEE CHART		SHEET NO. 1 OF 1		THIS DRAWING CONTAINS INFORMATION THAT IS PROPRIETARY TO MOLEX INCORPORATED AND SHOULD NOT BE USED WITHOUT WRITTEN PERMISSION		