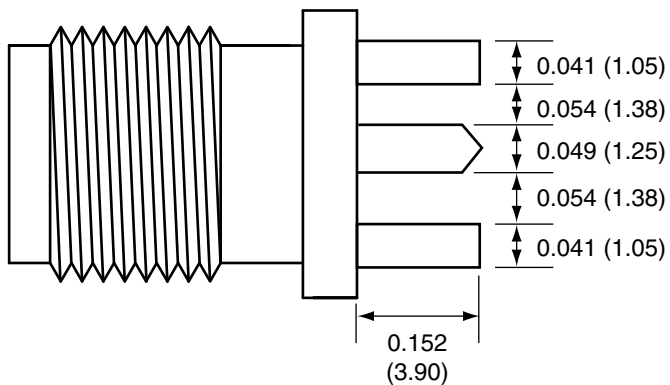
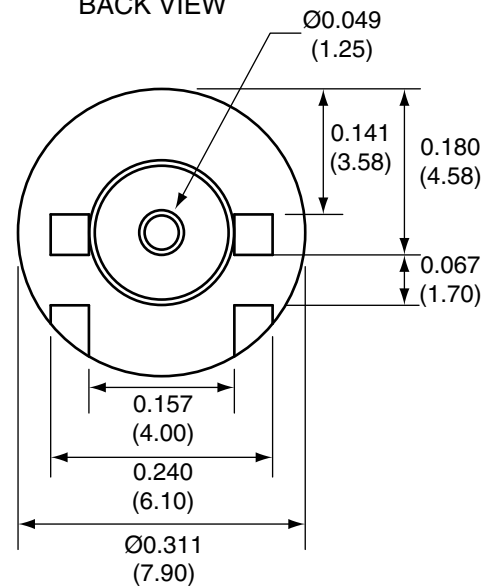


1		
Description	Material	Finish
Body	Brass	Nickel
Socket	BE CU	Gold
Insulation	Teflon	Teflon

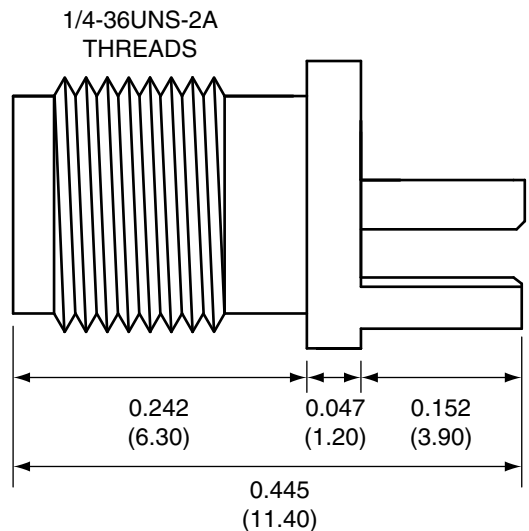
TOP VIEW



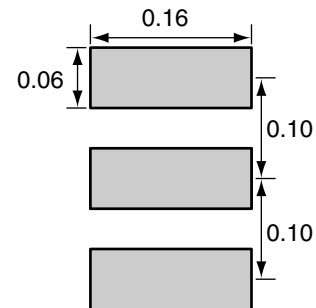
BACK VIEW



SIDE VIEW



RECOMMENDED FOOTPRINT



Title SMA FEMALE EDGE MOUNT FOR 0.062" THICK BOARD

CONNECTOR CITY
159 ORT LANE
MERLIN, OR 97532
PH (541)-471-6256
FAX (541)-471-6251

Part No. CONSMA003.062

Revision: 1.0

Dimensions: INCHES (mm)

Date: 8/18/2006

Sheet 1 of 1

CONNECTOR CITY
THE VALUE OF CONNECTIONS